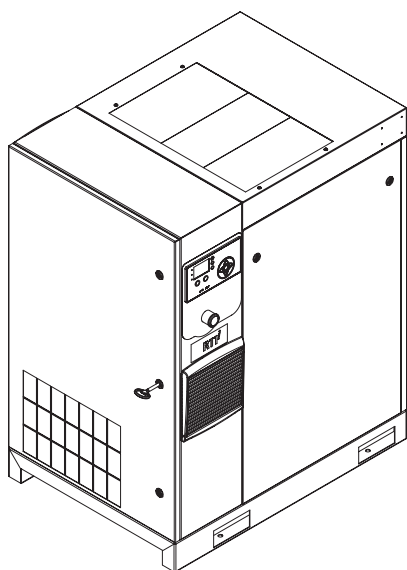




Contact-Cooled Rotary Screw Air Compressor

R4I, R5.5I, R5.5IE, R5.5N, R7.5I, R7.5N, R11I, R11N



Parts Information



Save These Instructions



Only allow **Ingersoll Rand** trained Technicians to perform maintenance on this product. For additional information contact **Ingersoll Rand** factory or nearest Distributor.

The use of other than genuine **Ingersoll Rand** replacement parts may result in safety hazards, decreased performance and increased maintenance and may invalidate all warranties.

Refer all communications to the nearest **Ingersoll Rand** Office or Distributor.

TABLE OF CONTENTS

TABLE OF CONTENTS	2	BACKPANEL 15HP, 380/440V, 50/60HZ, S/D, XE-50M	39
PARTS ORDERING INFORMATION	3	BACKPANEL 10HP, 220V, 50/60HZ, S/D, XE-50M ...	40
ENCLOSURE ASSEMBLY DRAWING	4	BACKPANEL 5HP, 575V, 50/60HZ, DOL, XE-50M ...	41
ENCLOSURE PARTS LIST	5	BACKPANEL 15HP, 220V, 50/60HZ, S/D, XE-50M ...	42
ENCLOSURE - OUTDOOR MODIFICATION ASSEMBLY DRAWING	6	BACKPANEL 7.5HP, 575V, 50/60HZ, S/D, XE-50M ...	43
ENCLOSURE - OUTDOOR MODIFICATION PARTS LIST	7	BACKPANEL 7.5HP, 575V, 50/60HZ, S/D, XE-50M ...	44
AIREND ASSEMBLY DRAWING	8	BACKPANEL 7.5HP, 575V, 50/60HZ, S/D, XE-50M ...	45
AIREND PARTS LIST	9	BACKPANEL 7.5HP, 575V, 50/60HZ, S/D, XE-50M ...	46
MOTOR ASSEMBLY DRAWING	10	BACKPANEL 5/7.5HP, 1PH 208/230V60HZ, DOL, XE-50M	47
MOTOR PARTS LIST	11	BACKPANEL 5.5KW, 230V, 50/60HZ, S/D, XE-50M ...	48
BELT DRIVE ASSEMBLY DRAWING AND PARTS LIST ..	12	BACKPANEL 10HP, 575V, 50/60HZ, S/D, XE-50M ...	49
COOLER ASSEMBLY DRAWING AND PARTS LIST ...	13	BACKPANEL 7.5KW, 230V, 50/60HZ, S/D, XE-50M ...	50
RECEIVER (NO DRYER) ASSEMBLY DRAWING	14	BACKPANEL 10HP, 208-230/460V, 50/60HZ, S/D, XE-50M	51
RECEIVER (NO DRYER) PARTS LIST	15	BACKPANEL 5HP, 208-230/460V, 50/60HZ, DOL, XE-50M	52
RECEIVER (WITH DRYER) ASSEMBLY DRAWING ...	16	BACKPANEL 5.5KW, 400V, 50/60HZ, S/D, XE-50M ...	53
RECEIVER (WITH DRYER) PARTS LIST	17	BACKPANEL 11KW, 400V, 50/60HZ, S/D, XE-50M ...	54
NO RECEIVER (WITH DRYER) ASSEMBLY DRAWING ..	18	STARTER (XE-70M) ASSEMBLY DRAWING	56
NO RECEIVER (WITH DRYER) PARTS LIST	19	STARTER (XE-70M) PARTS LIST	57
NO RECEIVER (WITH OUT DRYER) ASSEMBLY DRAWING	20	BACKPANEL 7.5HP, 208-230/460V, 50/60HZ, S/D, XE-70M	58
NO RECEIVER (WITH OUT DRYER) PARTS LIST	21	BACKPANEL 15HP, 575V 50/60HZ, S/D, XE-70M ...	59
AUTOMATIC CONDENSATE DRAIN VALVE ASSEMBLY DRAWING	22	BACKPANEL 7.5KW, 230V, 50/60HZ, S/D, XE-70M ...	60
AUTOMATIC CONDENSATE DRAIN VALVE PARTS LIST	23	BACKPANEL 11KW, 230V, 50/60HZ, S/D, XE-70M ...	61
CONTROLS ASSEMBLY DRAWING AND PARTS LIST ..	24	BACKPANEL 5.5KW, 400V, 50/60HZ, S/D, XE-70M ...	62
FILTER ASSEMBLY DRAWING AND PARTS LIST	25	BACKPANEL 7.5KW, 400V, 50/60HZ, S/D, XE-70M ...	63
CONTROLS ASSEMBLY (NO RECEIVER/NO DRYER) DRAWING AND PARTS LIST	26	BACKPANEL 10HP, 208-230/460V, 50/60HZ, S/D, XE-70M	64
CONTROLS ASSEMBLY (NO RECEIVER/WITH DRYER) DRAWING AND PARTS LIST	27	BACKPANEL 10HP, 575V 50/60HZ, S/D, XE-70M ...	65
CONTROLS ASSEMBLY (RECEIVER/NO DRYER)DRAWING AND PARTS LIST	28	BACKPANEL 7.5HP, 575V 50/60HZ, S/D, XE-70M	66
CONTROLS ASSEMBLY (RECEIVER/WITH DRYER) DRAWING AND PARTS LIST	29	BACKPANEL 15HP, 208-230/460V, 50/60HZ, S/D, XE-70M	67
DRYER ASSEMBLY DRAWING	30	BACKPANEL 11KW, 400V, 50/60HZ, S/D, XE-70M ...	68
DRYER PARTS LIST	31	BACKPANEL 5.5KW, 400V, 50/60HZ, VSD, XE-70M ..	69
STARTER (XE-50M) ASSEMBLY DRAWING	32	BACKPANEL 7.5HP, 380/440V60HZ, VSD, XE-70M ..	70
STARTER (XE-50M) PARTS LIST	33	BACKPANEL 11KW, 400V, 50/60HZ, VSD, XE-70M ...	71
BACKPANEL 15HP, 208-230/460V, 50/60HZ, S/D, XE-50M	34	BACKPANEL 15HP, 208/230V60HZ, VSD, XE-70M ...	72
BACKPANEL 7.5KW, 400V, 50/60HZ, S/D, XE-50M ...	35	BACKPANEL 11KW, 400V, 50/60HZ, VSD, XE-70M ...	73
BACKPANEL 10HP, 380/440V, 50/60HZ, S/D, XE-50M	36	BACKPANEL 7.5HP 208V60HZ, 7.5/10HP 230V 60HZ VSD XE-70M	74
BACKPANEL 7.5HP, 208-230/460V, 50/60HZ, S/D, XE-50M	37	BACKPANEL 7.5/10HP 220V60HZ VSD XE-70M	75
BACKPANEL 15HP, 575V, 50/60HZ, S/D, XE-50M ...	38	BACKPANEL 10/15HP, 380/440V60HZ, VSD, XE-70M	76
		BACKPANEL 10HP, 208V60HZ, VSD, XE-70M	77
		BACKPANEL 7.5KW, 400V, 50/60HZ, VSD, XE-70M ..	78
		BACKPANEL 5.5KW, 400V, 50/60HZ, VSD, XE-70M ..	79

TABLE OF CONTENTS

<p>BACKPANEL 15HP, 220V60HZ, VSD, XE-70M80</p> <p>BACKPANEL 7.5HP, 460V60HZ, VSD, XE-70M.....81</p> <p>BACKPANEL 7.5KW, 400V, 50/60HZ, VSD, XE-70M ..82</p> <p>BACKPANEL 10/15HP, 460V60HZ, VSD, XE-70M ...83</p> <p>BACKPANEL 10/15HP, 575V60HZ, VSD, XE-70M ...84</p> <p>BACKPANEL 7.5HP, 575V60HZ, VSD, XE-70M.....85</p> <p>BACKPANEL 5.5KW, 230V, 50/60HZ, VSD RFI, XE-70M86</p> <p>BACKPANEL 7.5KW, 230V, 50/60HZ, VSD RFI , XE-70M87</p> <p>BACKPANEL 11KW, 230V, 50/60HZ, VSD RFI, XE-70M88</p> <p>FIXED SPEED GENERAL CABLES ASSEMBLY DRAWING.....90</p> <p>FIXED SPEED GENERAL CABLES ASSEMBLY PARTS LIST91</p> <p>TRANSDUCER CABLE ASSEMBLY (NO RECEIVER, NO DRYER, FS)DRAWING AND PARTS LIST92</p> <p>TRANSDUCER CABLE ASSEMBLY (NO RECEIVER, WITH DRYER, FS)DRAWING AND PARTS LIST93</p>	<p>TRANSDUCER CABLE ASSEMBLY (RECEIVER, NO DRYER, FS)DRAWING AND PARTS LIST.....94</p> <p>TRANSDUCER CABLE ASSEMBLY (RECEIVER, WITH DRYER, FS)DRAWING AND PARTS LIST95</p> <p>VSD GENERAL CABLES ASSEMBLY DRAWING96</p> <p>VSD GENERAL CABLES ASSEMBLY PARTS LIST97</p> <p>TRANSDUCER CABLE ASSEMBLY (NO RECEIVER, NO DRYER, VSD)DRAWING AND PARTS LIST.....98</p> <p>TRANSDUCER CABLE ASSEMBLY (NO RECEIVER, WITH DRYER, VSD)DRAWING AND PARTS LIST99</p> <p>TRANSDUCER CABLE ASSEMBLY (RECEIVER, NO DRYER, VSD)DRAWING AND PARTS LIST 100</p> <p>TRANSDUCER CABLE ASSEMBLY (RECEIVER, WITH DRYER, VSD)DRAWING AND PARTS LIST... 101</p> <p>RECOMMENDED PARTS LIST..... 102</p> <p>ELECTRICAL WIRING, S/D, XE - 50M..... 108</p> <p>ELECTRICAL WIRING, VSD, XE - 70M 110</p> <p>ELECTRICAL WIRING, DOL, XE - 50M..... 112</p> <p>ELECTRICAL WIRING, S/D, XE - 70M..... 114</p>
---	--

PARTS ORDERING INFORMATION

These products are designed and constructed to provide long, trouble-free service. In time it may be necessary to order and install new parts to replace those that have been subjected to wear.

For your convenience and future reference it is recommended that the following information be recorded.

Model Number _____
 Serial Number _____
 Date Purchased _____

When ordering replacement parts, please specify the following:

1. Complete model number and serial number as it appears on the data (name) plate.
2. Part number(s) and part description as shown in this manual.
3. Quantity required.

NOTICE

- Continuing improvement and advancement of design may cause changes to this equipment which are not included in this manual. Manuals are periodically revised to incorporate changes. Always check the manual edition number on the front cover for the latest issue.
- Sections of this manual may not apply to your product.
- Using other than genuine **Ingersoll Rand** replacement parts may invalidate the warranty.

■ Return Goods Policy

Ingersoll Rand will not accept any returned goods for warranty or service work unless prior arrangements have been made and written authorization has been provided from the location where the goods were purchased.

Products which have been modified without **Ingersoll Rand** approval, mishandled or misused will not be repaired or replaced under warranty. A printed copy of the warranty which applies to this product is provided inside the back cover of this manual.

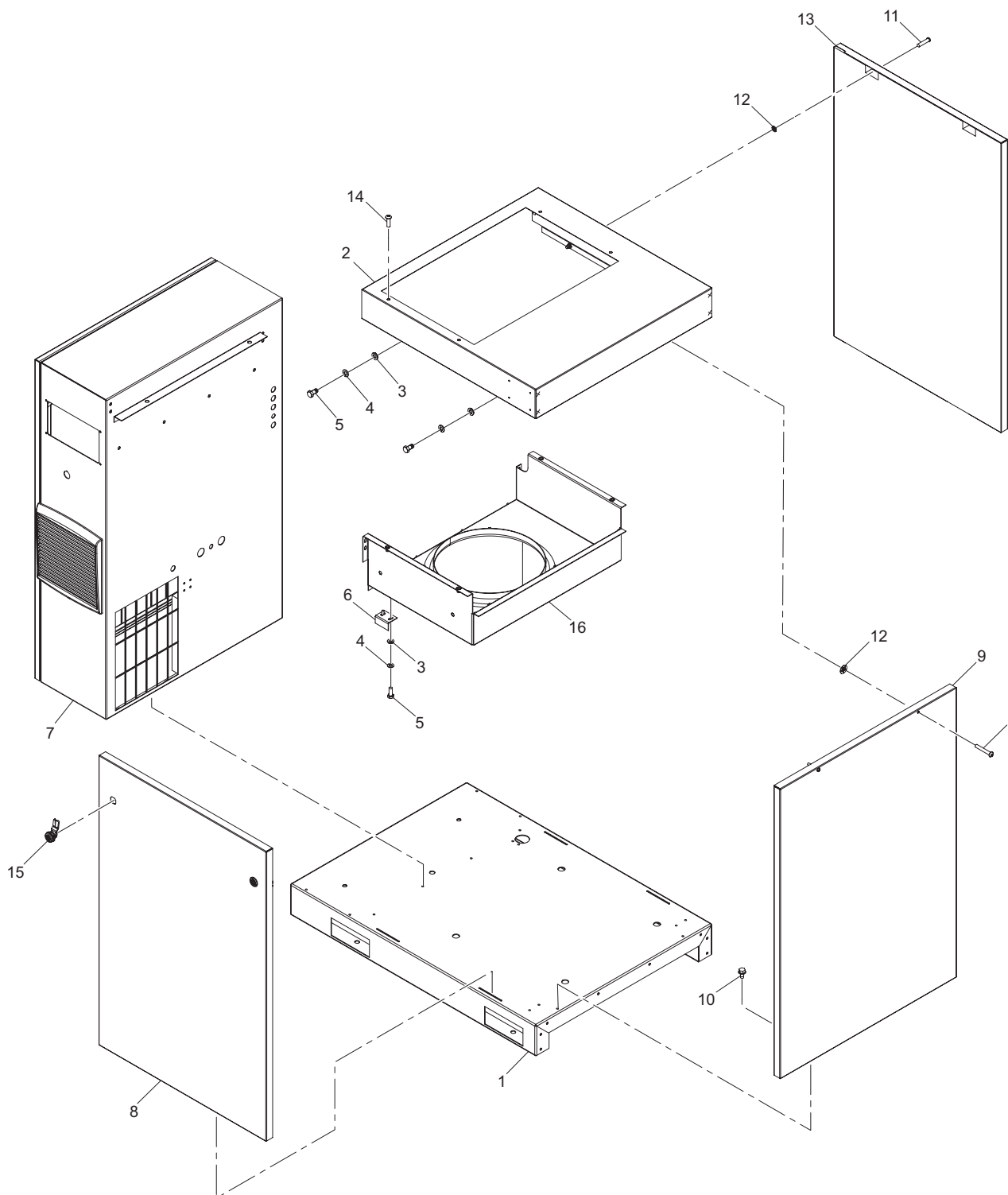
■ Disposal



When the life of the product has expired, it is recommended that it be disassembled, degreased and parts separated as to materials so that they may be recycled.

Refer all communications to the nearest **Ingersoll Rand** Office or Distributor.

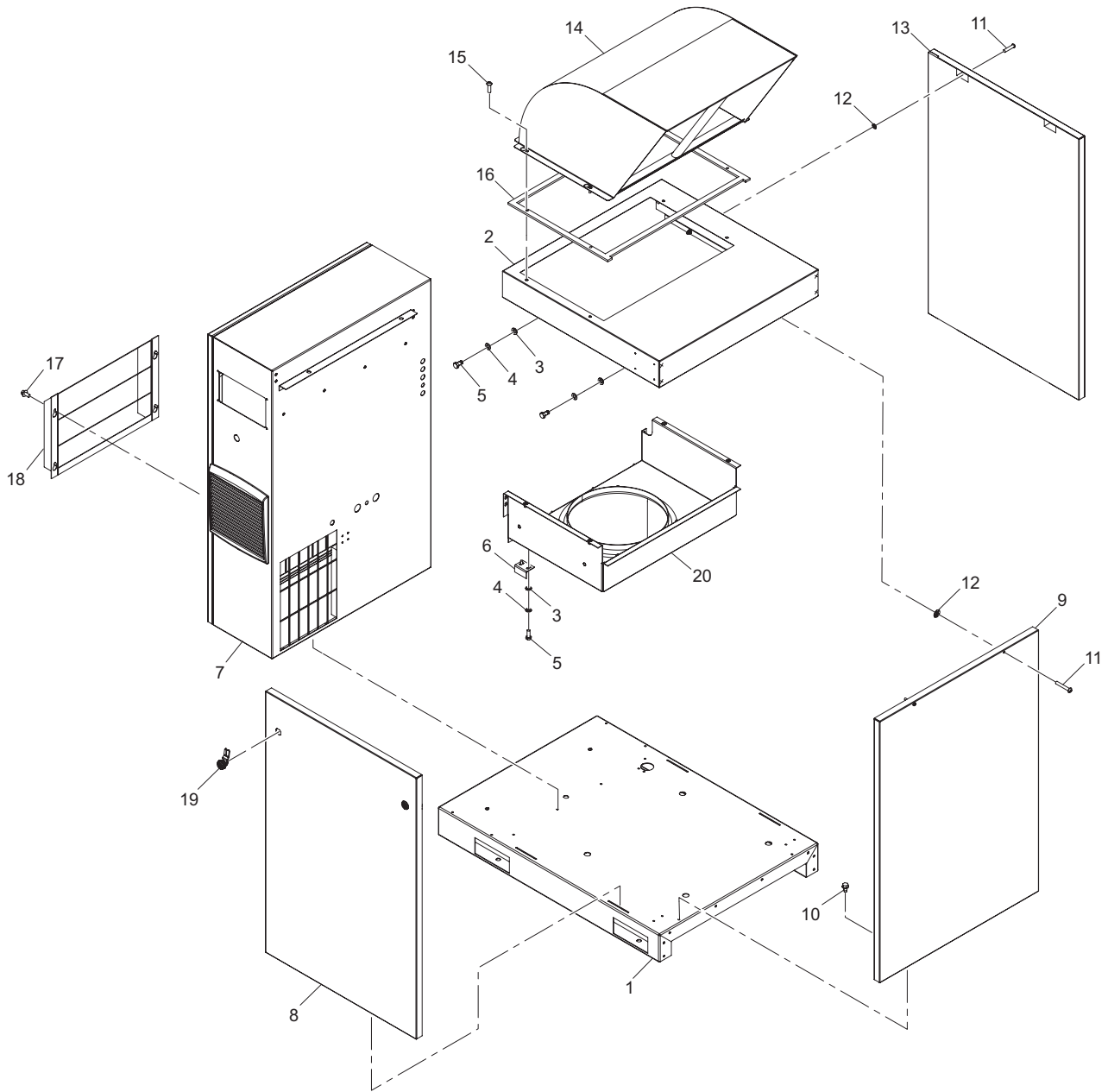
ENCLOSURE ASSEMBLY DRAWING



ENCLOSURE PARTS LIST

Item	Part No.	Qty	Description	Item	Part No.	Qty	Description
1	24345845	1	BASE, PLATE	8	24066540	1	PANEL
	47504010001	1	BASE, PLATE (Receiver only)	9	24066573	1	PANEL, RIGHT (No Dryer Option only)
2	24066490	1	PANEL, TOP	10	92368687	2	SCREW TAPTITE M6 x 1 x 12
	24366403	1	PANEL, TOP (with Dryer only)	11	96763727	4	SCREW M6 x 40
3	23180565	4	WASHER, PLAIN	12	23523491	4	RETAINER
4	96727573	4	WASHER, LOCK	13	24066599	1	PANEL, BACK
5	96701958	4	SCREW M6-1 x 16	14	47524088001	1	CHUTE, ODM
6	47514479001	1	PLATE, LOCK	14	96739313	4	SCREW, M6 x 20
7	47498721	1	STARTER BOX, FIXED SPEED DRIVE(Xe 50M)	15	23180565	2	LATCH
	24358947	1	STARTER BOX, FIXED SPEED DRIVE (Xe 70M)	16	47499742001	1	SHROUD, AXIAL FAN - 50 Hz
	47498683	1	STARTER BOX, VSD (Xe 70M)		47515466001	1	SHROUD, AXIAL FAN - 60 Hz

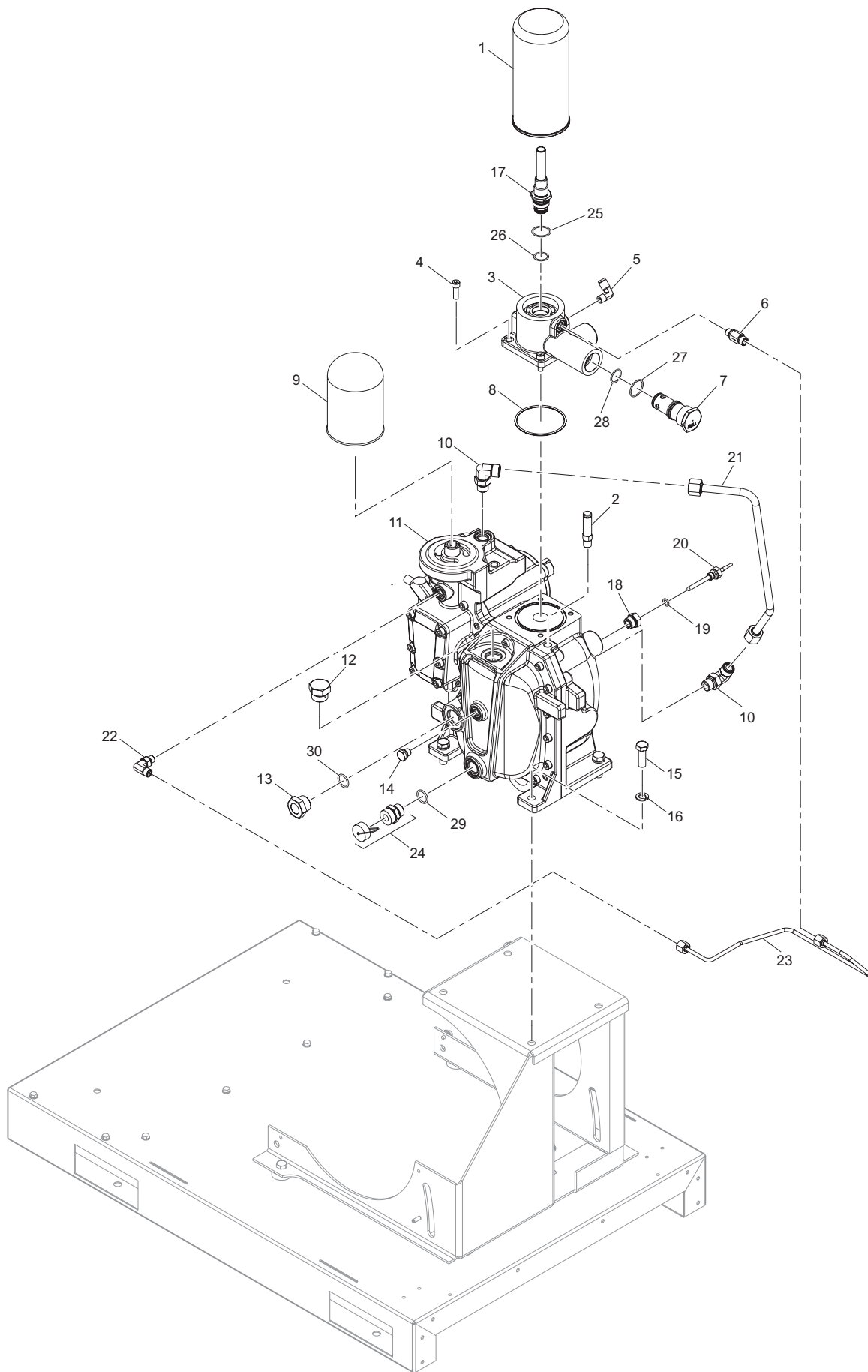
ENCLOSURE - OUTDOOR MODIFICATION ASSEMBLY DRAWING



ENCLOSURE - OUTDOOR MODIFICATION PARTS LIST

Item	Part No.	Qty	Description	Item	Part No.	Qty	Description
1	24345845	1	BASE, PLATE	11	96763727	4	SCREW M6 x 40
	47504010001	1	BASE, PLATE (Receiver only)	12	23523491	4	RETAINER
2	24066490	1	PANEL, TOP	13	24066599	1	PANEL, BACK
	24366403	1	PANEL, TOP (with Dryer only)	14	47524088001	1	CHUTE, ODM
3	23180565	4	WASHER, PLAIN	15	-	4	SCREW
4	96727573	4	WASHER, LOCK	16	35140409	A/R	SEAL
5	96701958	4	SCREW M6-1 x 16	17	96705058	1	SCREW M6 x 12
6	47514479001	1	PLATE, LOCK	18	47524089001	1	PANEL, PACKAGE INTAKE (ODM)
7	-	1	STARTER BOX	19	23180565	2	LATCH
8	24066540	1	PANEL	20	47499742001	1	SHROUD, AXIAL FAN - 50 Hz
9	24066573	1	PANEL, RIGHT (No Dryer Option only)		47515466001	1	SHROUD, AXIAL FAN - 60 Hz
10	92368687	2	SCREW TAPTITE M6 x 1 x 12	A/R	AS REQUIRED		

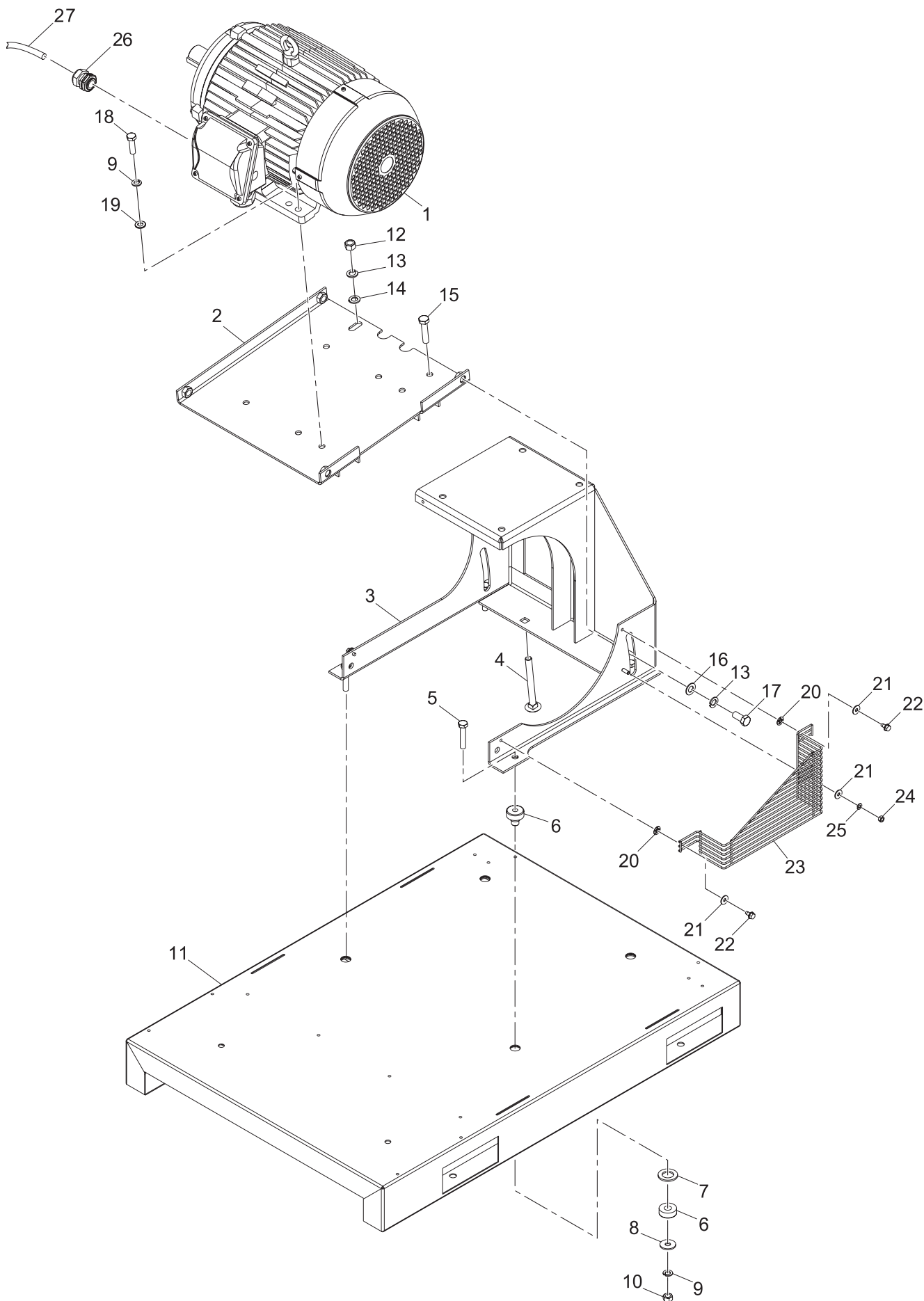
AIREND ASSEMBLY DRAWING



AIREND PARTS LIST

Item	Part No.	Qty	Description	Item	Part No.	Qty	Description
1	24121212	1	ELEMENT, SEPARATOR	15	96702329	4	SCREW M12-1.75 x 35
2	22401590	1	VALVE, PRESSURE RELIEF - 16 BAR (PED)	16	96739933	4	WASHER, LOCK
	22378665	1	VALVE, PRESSURE RELIEF - 232 PSIG	17	24153298	1	SEPARATOR STEM
3	23996044	1	HOUSING, SEPARATOR DISCHARGE	18	47502218001	1	BUSHING, REDUCER
				19	96759295	1	O-RING
4	96708060	4	SCREW, M8 x 25	20	23522246	1	SENSOR, TEMPERATURE (Xe-70M)
				20	24255838	1	SENSOR, TEMPERATURE (Xe-50M)
5	54403266	1	ELBOW	21	24672966	1	TUBE
6	24042665	1	VALVE, INLINE CHECK	22	96757596	1	ELBOW
7	23694938	1	VALVE, MPCV	23	24045460	1	TUBE, SCVANGE
8	95022323	1	O-RING	24	24096901	1	VALVE, COOLANT DRAIN
9	39329602	1	ELEMENT, OIL FILTER	25	95025466	1	O-RING, SEPARATOR STEM, UPPER
10	96757653	2	ELBOW	26	95021747	1	O-RING, SEPARATOR STEM, LOWER
11	24603540	1	ASSEMBLY, AIREND	27	95992293	1	O-RING, VALVE, MPCV
12	39322276	1	PLUG	28	95985859	1	O-RING, VALVE, MPCV
13	39324496	1	SIGHT GLASS	29	96957162	1	O-RING, DRAIN VALVE
14	96757000	1	PLUG	30	96759360	1	O-RING, SIGHT GLASS

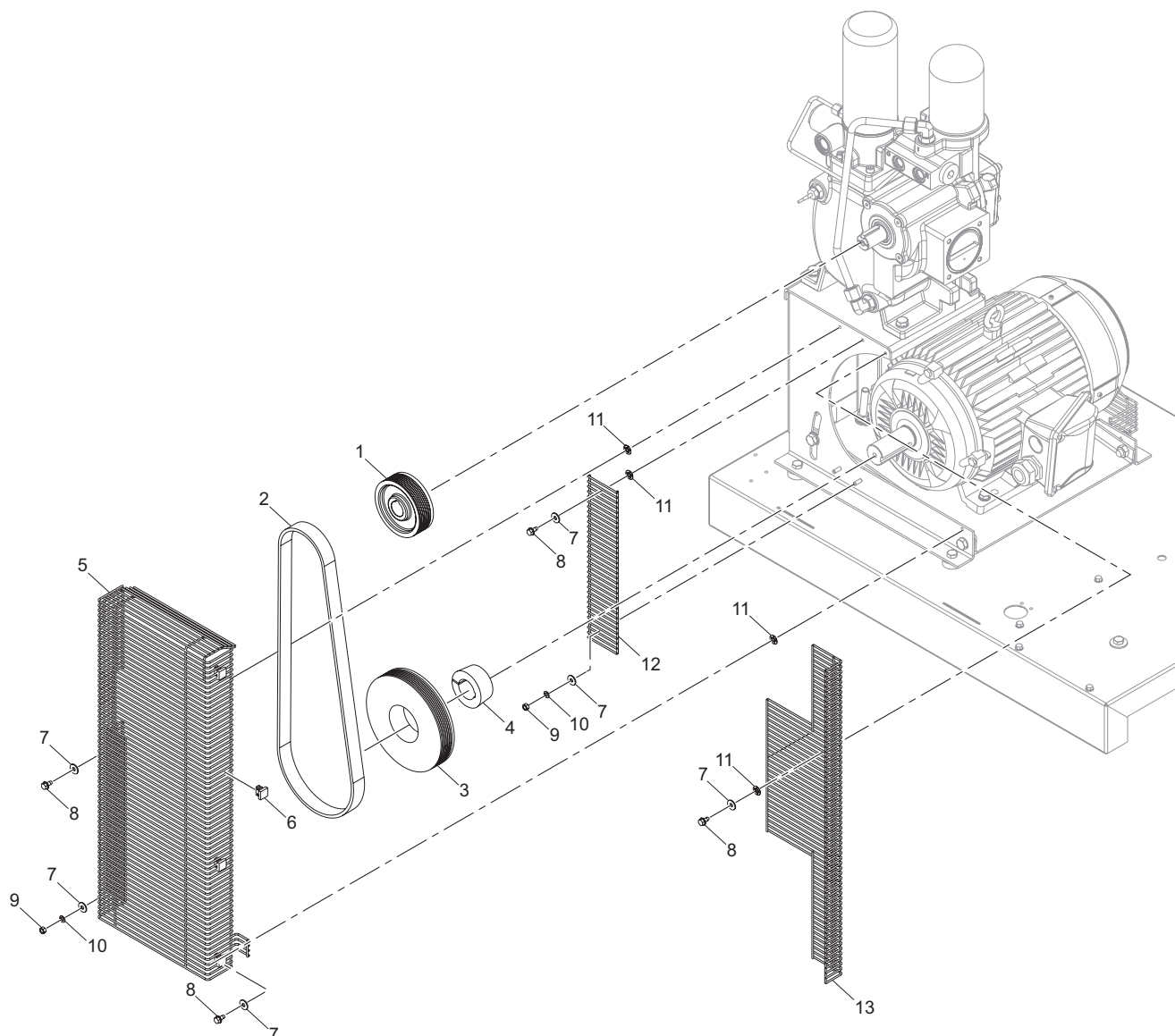
MOTOR ASSEMBLY DRAWING



MOTOR PARTS LIST

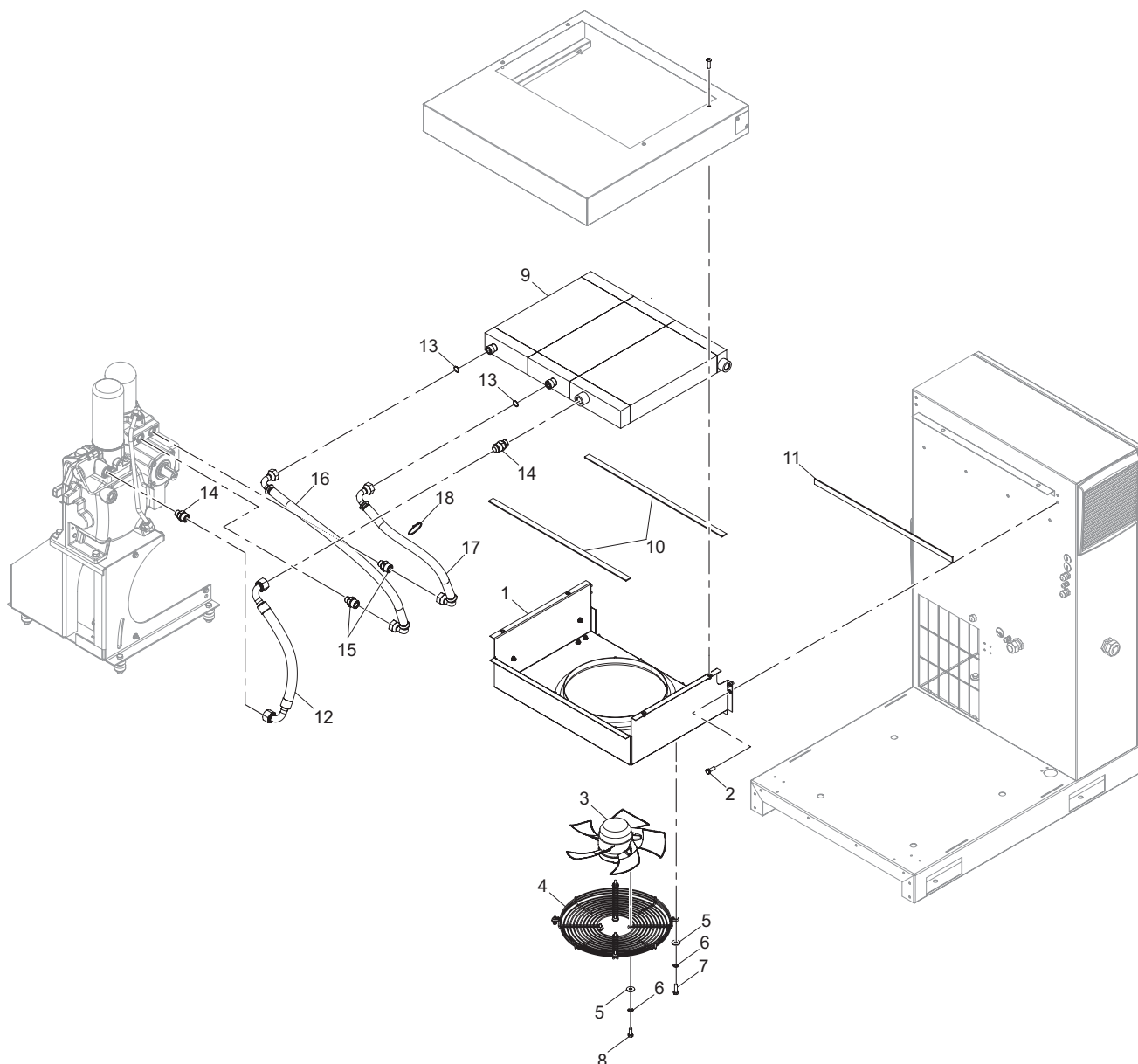
Item	Part No.	Qty	Description	Item	Part No.	Qty	Description
1	24359069	1	MOTOR, 15 Hp, 575V 60 Hz, TEFV	17	96701495	4	SCREW M12-1.75 x 25
	24359077	1	MOTOR, 10 Hp, 575V 60 Hz, TEFV	18	96704309	4	SCREW M10-1.50 x 35
	24359085	1	MOTOR, 7.5 Hp, 575V 60 Hz, TEFV	19	96714399	4	WASHER, PLAIN
	47509020001	1	MOTOR, 15 Hp, 208-230/460V 60 Hz, TEFV	20	23523491	2	RETAINER
				21	14084123	3	WASHER, SPECIAL
	47509019001	1	MOTOR, 10 Hp, 208-230/460V 60 Hz, TEFV	22	92368687	2	SCREW M6 x 1 x 12
	47509018001	1	MOTOR, 7.5 Hp, 208-230/460V 60 Hz, TEFV	23	47516265001	1	GUARD, BACK MOTOR 11 kW
					47516512001	1	GUARD, BACK MOTOR 4-7.5 kW
	47512485001	1	MOTOR, 7.5 Hp 1PH 208-230V 60 Hz, TEFV, DOL	24	96704234	1	NUT, M6-1
24358988	1	MOTOR, 11 kW, 400V 50 Hz, TEFV, IE3	26	22376776	1	GLAND, CABLE	
24358996	1	MOTOR, 7.5 kW, 400V 50 Hz, TEFV, IE3	27	47519004001	1	CABLE, ASSY MOTOR DOL- FS DOL 575V	
24359002	1	MOTOR, 5.5 kW, 400V 50 Hz, TEFV, IE3		47522822001	1	CABLE, ASSY MOTOR DOL- FS DOL 208/230/460V	
2	24066425	1		PLATE, MAIN MOTOR, FRAME 132S, 132M	24547937	1	CABLE, ASSY MOTOR 1PH - FS 1ph 208/230V
					24547929	1	CABLE, ASSY MOTOR - FS 220V
2	47498765001	1		PLATE, MAIN MOTOR, FRAME 213T, 184T	47504392001	1	CABLE, ASSY MOTOR - FS 380/440V
					47519050001	1	CABLE, ASSY MOTOR - FS S/D 575V
3	24324089	1		SUPPORT, AIREND MOTOR	24547929	1	CABLE, ASSY MOTOR - FS S/D 208/230/460V
4	47524349001	1		SCREW	47520285001	1	CABLE, ASSY MOTOR - FS 230V
5	96705116	4		SCREW, M10-1.5 x 50	47499671001	1	CABLE, ASSY MOTOR - FS 400V
6	22355341	4		ASSEMBLY, ISOLATOR	47499692	1	CABLE, ASSY MOTOR - VSD 400V
7	96726971	4	WASHER, PLAIN	47504383	1	CABLE, ASSY MOTOR - VSD 380/440V	
8	96729645	4	WASHER, PLAIN	24547911	1	CABLE, ASSY MOTOR - VSD 220V	
9	96726633	8	WASHER, LOCK	47522823	1	CABLE, ASSY MOTOR - VSD 208/230V 60Hz	
10	96704812	4	NUT, M10-1.50	47522824	1	CABLE, ASSY MOTOR - VSD 460/575V	
11	24345845	1	PLATE, BASE	47520284	1	CABLE, ASSY MOTOR - VSD 230V 50Hz	
	47504010001	1	BASE, PLATE RECEIVER				
12	96704291	1	NUT M12-1.75				
13	96739933	5	WASHER, LOCK				
14	96701412	1	WASHER, PLAIN				
15	96722160	5	SCREW M12-1.75 x 100				
16	92329341	2	WASHER, PLAIN				

BELT DRIVE ASSEMBLY DRAWING AND PARTS LIST



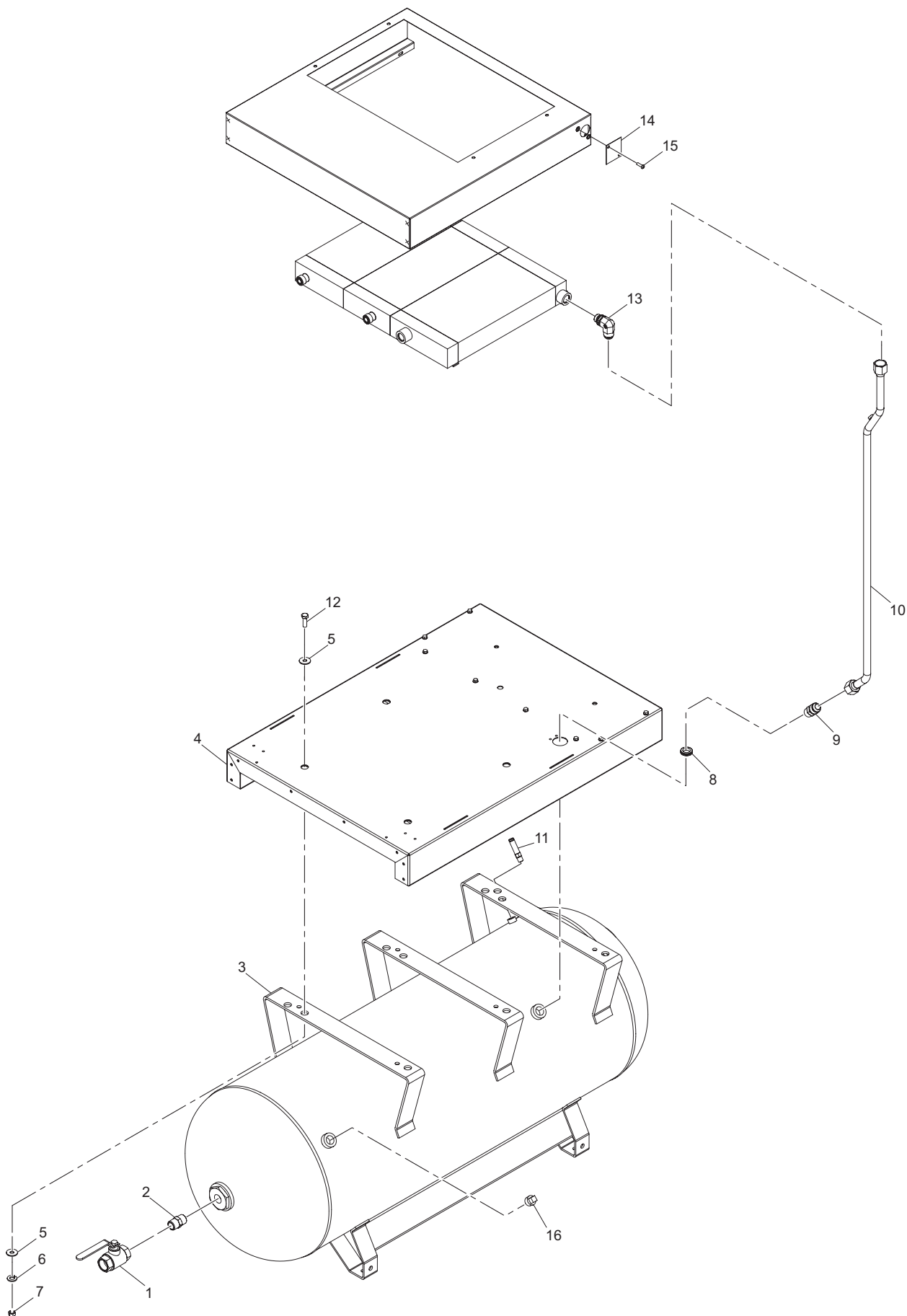
Item	Part No.	Qty	Description	Item	Part No.	Qty	Description
1	47508067001	1	SHEAVE, AIREND 82.4 mm OD (PLEASE REFER TO POWER TRANSMISSION TABLE IN RECOMMENDED PARTS LIST SECTION OF MANUAL)	4	23635667	1	BUSHING, TYPE 1610 (PLEASE REFER TO POWER TRANSMISSION TABLE IN RECOMMENDED PARTS LIST SECTION OF MANUAL)
2	47501874001	1	BELT, POLY-V PK5 1132 mm (PLEASE REFER TO POWER TRANSMISSION TABLE IN RECOMMENDED PARTS LIST SECTION OF MANUAL)	5	24292443	1	GUARD, BELT
3	47501872001	1	SHEAVE, MOTOR 95 mm OD (PLEASE REFER TO POWER TRANSMISSION TABLE IN RECOMMENDED PARTS LIST SECTION OF MANUAL)	6	42929885	4	CLIP
				7	14084123	2	WASHER, PLAIN
				8	92368687	4	SCREW M6 x 1 x 12
				9	96704234	2	NUT M6-1
				10	96727573	2	WASHER, LOCK
				11	23523491	4	RETAINER
				12	47520696001	1	GUARD, BELT
				13	47520697001	1	GUARD, BELT

COOLER ASSEMBLY DRAWING AND PARTS LIST



Item	Part No.	Qty	Description	Item	Part No.	Qty	Description
1	47499742001	1	SHROUD, AXIAL FAN - 50 Hz	9	24081648	1	COOLER
	47515466001	1	SHROUD, AXIAL FAN - 60 Hz	10	85038412	1.2 m	GASKET
2	96705058	8	SCREW M6 x 12	11	39249651	0.6 m	GASKET
3	24364184	1	FAN, AXIAL	12	85560712	1	HOSE
4	47499957	4	GUARD, FAN	13	96957105	2	O-RING
5	14084123	8	WASHER, PLAIN	14	96762489	2	CONNECTOR
6	96727573	8	WASHER, LOCK	15	96758024	2	CONNECTOR
7	96701958	4	SCREW M6-1 x16	16	24638587	1	HOSE
8	96704564	4	SCREW M6-1 x20	17	24638579	1	HOSE

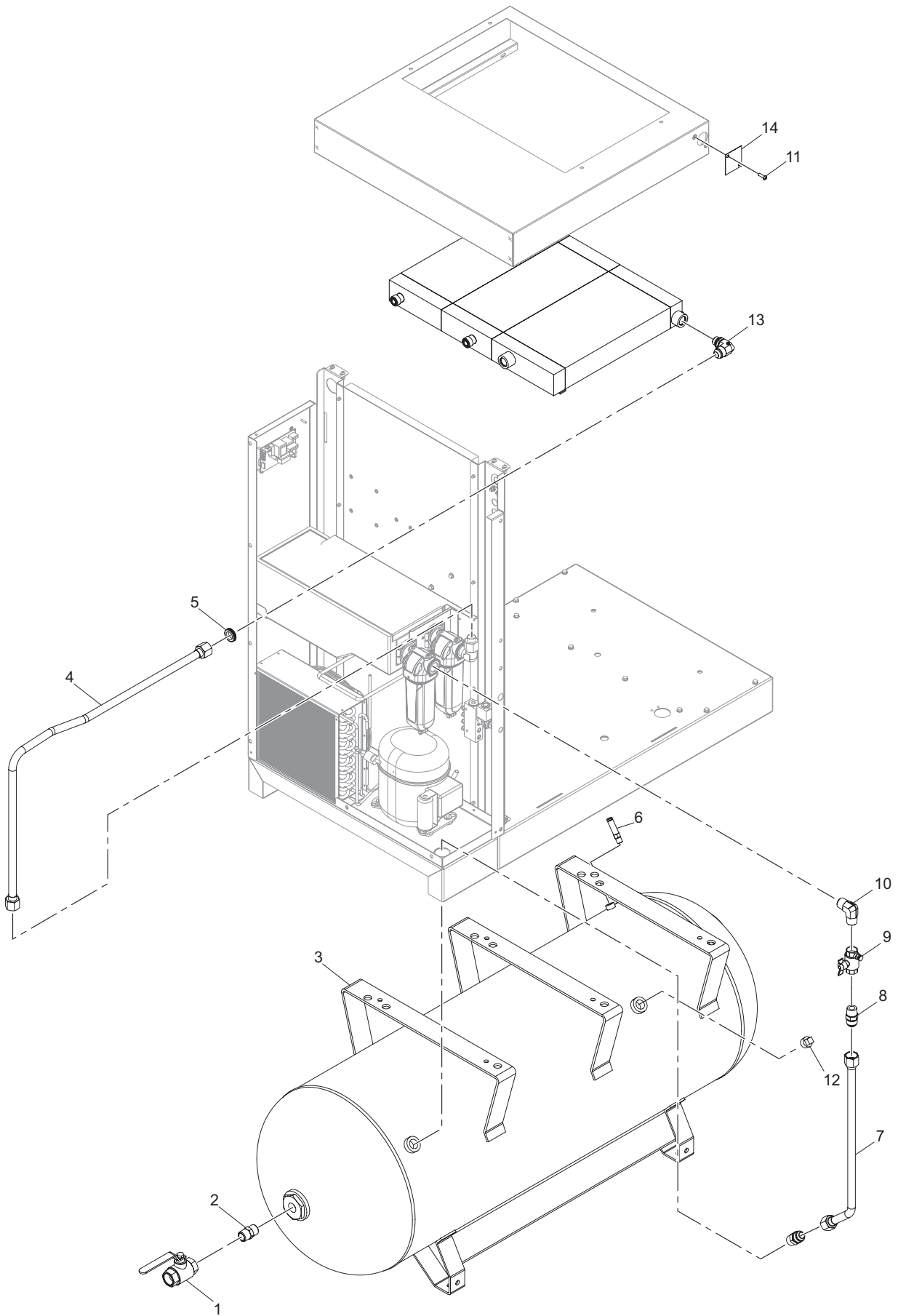
RECEIVER (NO DRYER) ASSEMBLY DRAWING



RECEIVER (NO DRYER) PARTS LIST

Item	Part No.	Qty	Description	Item	Part No.	Qty	Description
1	93179661	1	VALVE, BALL (Liter Receiver)	10	24367948	1	TUBE, COOLER (500 Liter)
	32106569	1	VALVE, BALL (Gallon Receiver)		24436594	1	TUBE, COOLER (272 Liter)
2	92255934	1	CONNECTOR (Liter Receiver)		47517853001	1	TUBE, COOLER (200 Liter)
	95458808	1	NIPPLE (Gallon Receiver)		85560613	1	HOSE, COOLER (Gallon Receiver)
3	24146953	1	RECEIVER, 272 Liter	11	22401590	1	VALVE, SAFETY (Liter Receiver)
	24146961	1	RECEIVER, 500 Liter		22052450	1	VALVE, SAFETY (Gallon Receiver)
	24491540	1	RECEIVER, 80 Gallon	12	96701917	2	SCREW M10 x 30
	24491557	4	RECEIVER, 120 Gallon	13	96762380	1	ELBOW (Liter Receiver)
	47512353001	4	RECEIVER, 200 Liter		47522766001	1	ELBOW (Gallon Receiver)
4	47504010001	1	PLATE, BASE	14	24217150	1	PLATE, COVER
5	96729645	2	WASHER, PLAIN	15	96739313	2	SCREW M6 x 20
6	96726633	2	WASHER, LOCK	16	92257369	1	PLUG (Liter Receiver)
7	96704812	2	NUT M10-1.5		95990735	1	PLUG (Gallon Receiver)
8	22390132	1	GROMMET				
9	95937512	1	CONNECTOR (Liter Receiver)				
	92106210	1	CONNECTOR (Gallon Receiver)				

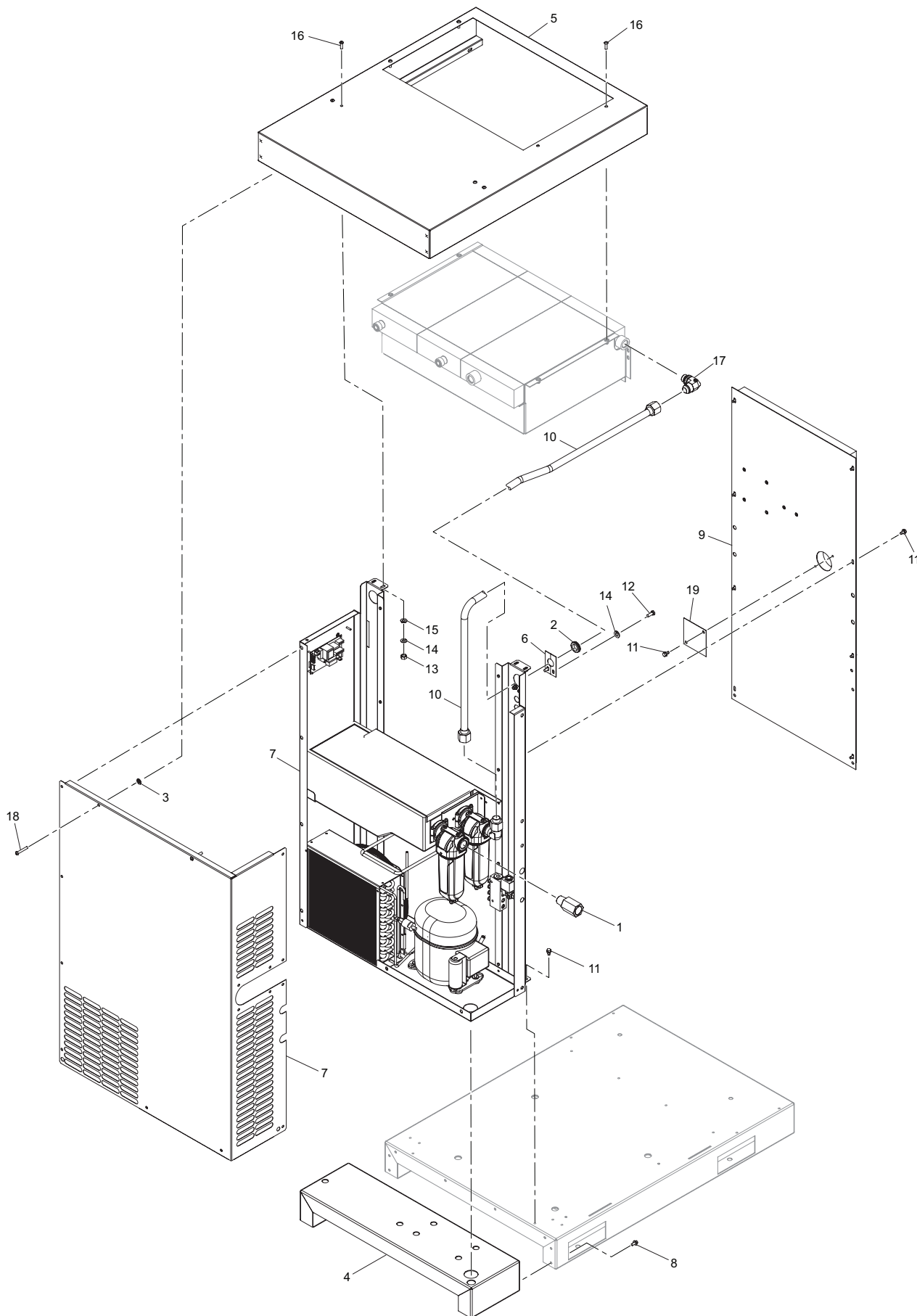
RECEIVER (WITH DRYER) ASSEMBLY DRAWING



RECEIVER (WITH DRYER) PARTS LIST

Item	Part No.	Qty	Description	Item	Part No.	Qty	Description
1	93179661	1	VALVE, BALL (Liter Receiver)	7	47499925001	1	TUBE, COOLER (272 Liter)
	32106569	1	VALVE, BALL (Gallon Receiver)		47499839001	1	TUBE, COOLER (500 Liter)
2	92255934	1	CONNECTOR (Liter Receiver)		47517852001	1	TUBE, COOLER (200 Liter)
	95458808	1	NIPPLE (Gallon Receiver)		85560746	1	HOSE, COOLER (80 / 120 Gallon)
3	24146953	1	RECEIVER, 272 Liter	8	92106210	1	CONNECTOR
	24146961	1	RECEIVER, 500 Liter	9	47507408001	1	VALVE, BALL
	24491540	1	RECEIVER, 80 Gallon	10	47507288001	1	ELBOW (Liter Receiver)
	24491557	4	RECEIVER, 120 Gallon		47522831001	1	ELBOW (Gallon Receiver)
	47512353001	4	RECEIVER, 200 Liter	11	96739313	2	SCREW M6 x 20
4	47499838001	1	TUBE	12	92257369	1	PLUG (Liter Receiver)
5	22390132	1	GROMMET		95990735	1	PLUG (Gallon Receiver)
6	92257369	1	PLUG (Liter Receiver)	13	96762380	1	ELBOW
	95990735	1	PLUG (Gallon Receiver)	14	24217150	1	PLATE, COVER

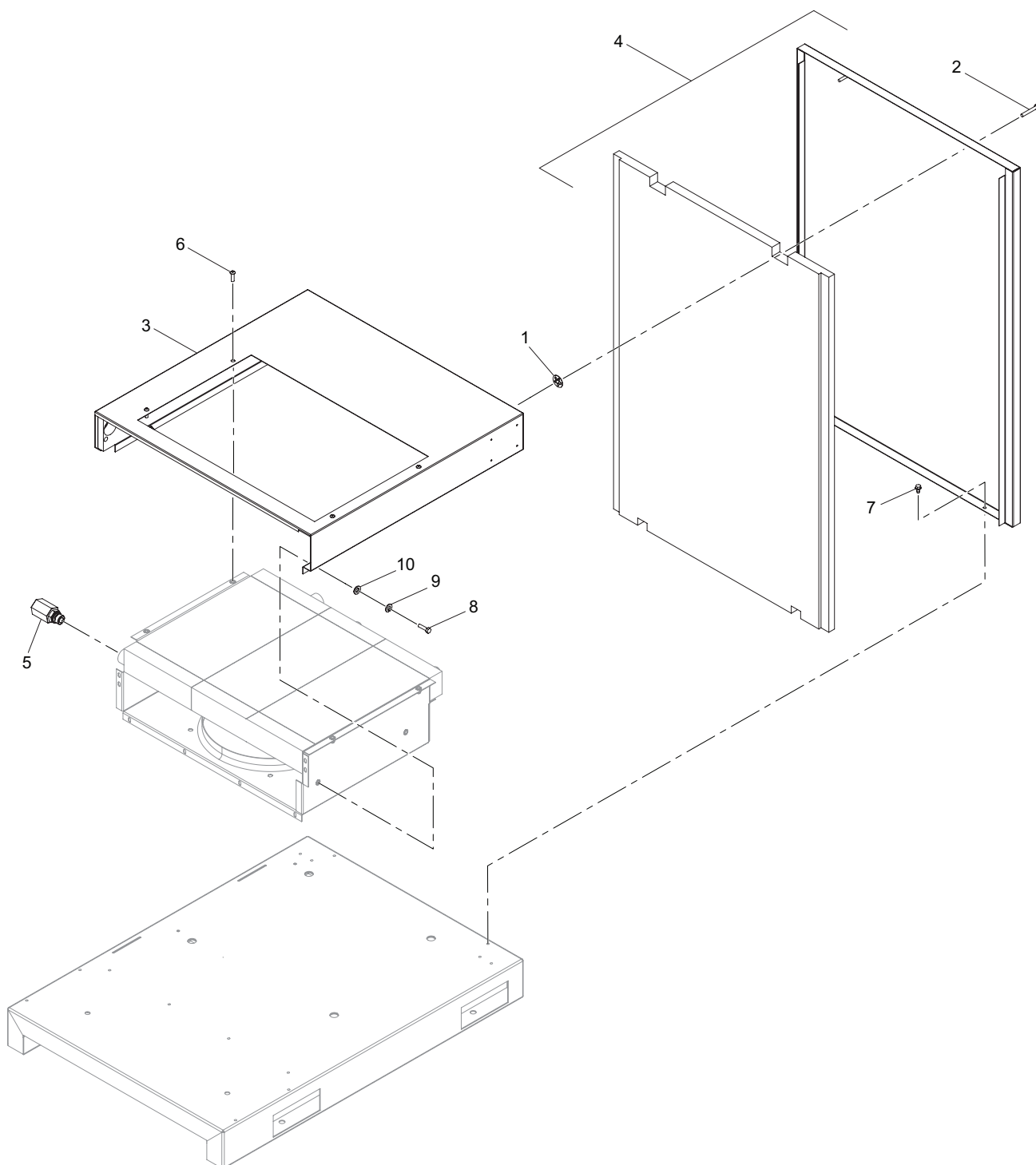
NO RECEIVER (WITH DRYER) ASSEMBLY DRAWING



NO RECEIVER (WITH DRYER) PARTS LIST

Item	Part No.	Qty	Description	Item	Part No.	Qty	Description
1	47524155001	1	TEE	10	47499838001	1	TUBE, PANEL DRYER BACK R4-11kW
2	22390132	1	GROMMET, INSULATION	11	92368687	14	TAPTITE SCREW
3	23523491	2	RETAINER, SCREW	12	96701958	4	SCREW
4	24365926	1	SUPPORT, BASE DRYER R4-11kW	13	96704234	4	NUT
5	24366403	1	ASSY, TOP PANEL DRYER R4-11kW	14	96727573	8	WASHER, SPRING LOCK
6	24368193	2	COVER, TUBE COOL-REC R4 - 11kW	15	96727581	6	WASHER
7	24646317	1	DRYER, INTEGRATED VELOCITY R4-11kW 50/60Hz D144	16	96739313	8	SCREW
8	96705058	8	SCREW	17	96762380	1	ELBOW
9	47499743001	1	ASSY, PANEL DRYER BACK R4-11kW	18	96763727	2	SCREW
				19	47507362001	1	PLATE, COVER MPCV

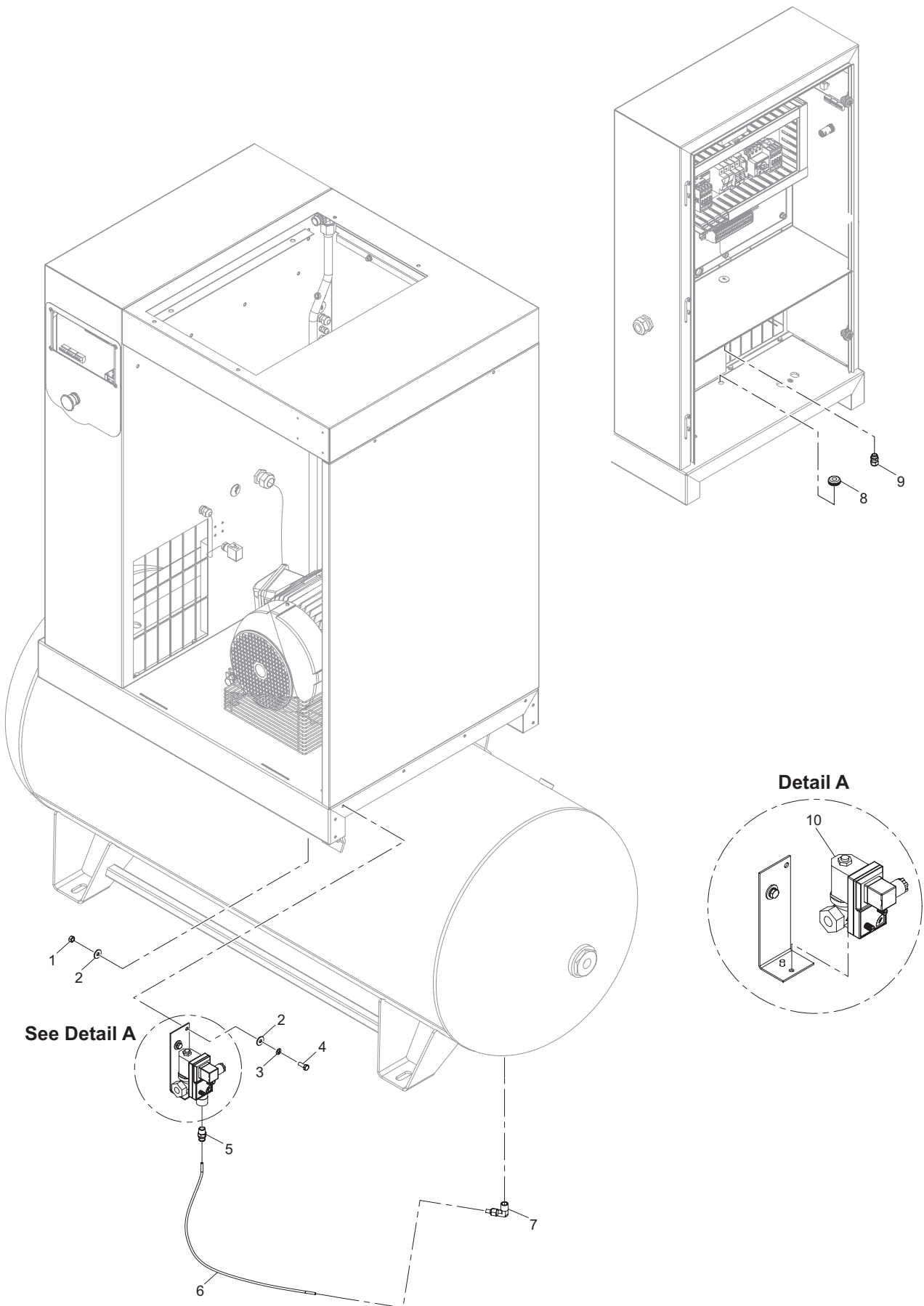
NO RECEIVER (WITH OUT DRYER) ASSEMBLY DRAWING



NO RECEIVER (WITH OUT DRYER) PARTS LIST

Item	Part No.	Qty	Description	Item	Part No.	Qty	Description
1	23523491	2	RETAINER, 6mm SCREW	6	96739313	4	SCREW
2	96763727	2	SCREW	7	92368687	2	TAPTITE SCREW
3	24066490	1	ASSY, PANEL TOP R4-11kW	8	96701958	2	SCREW
4	24066573	1	ASSY, PANEL RIGHT	9	96727573	2	WASHER, SPRING LOCK
5	24210916	1	TEE	10	96727581	2	WASHER

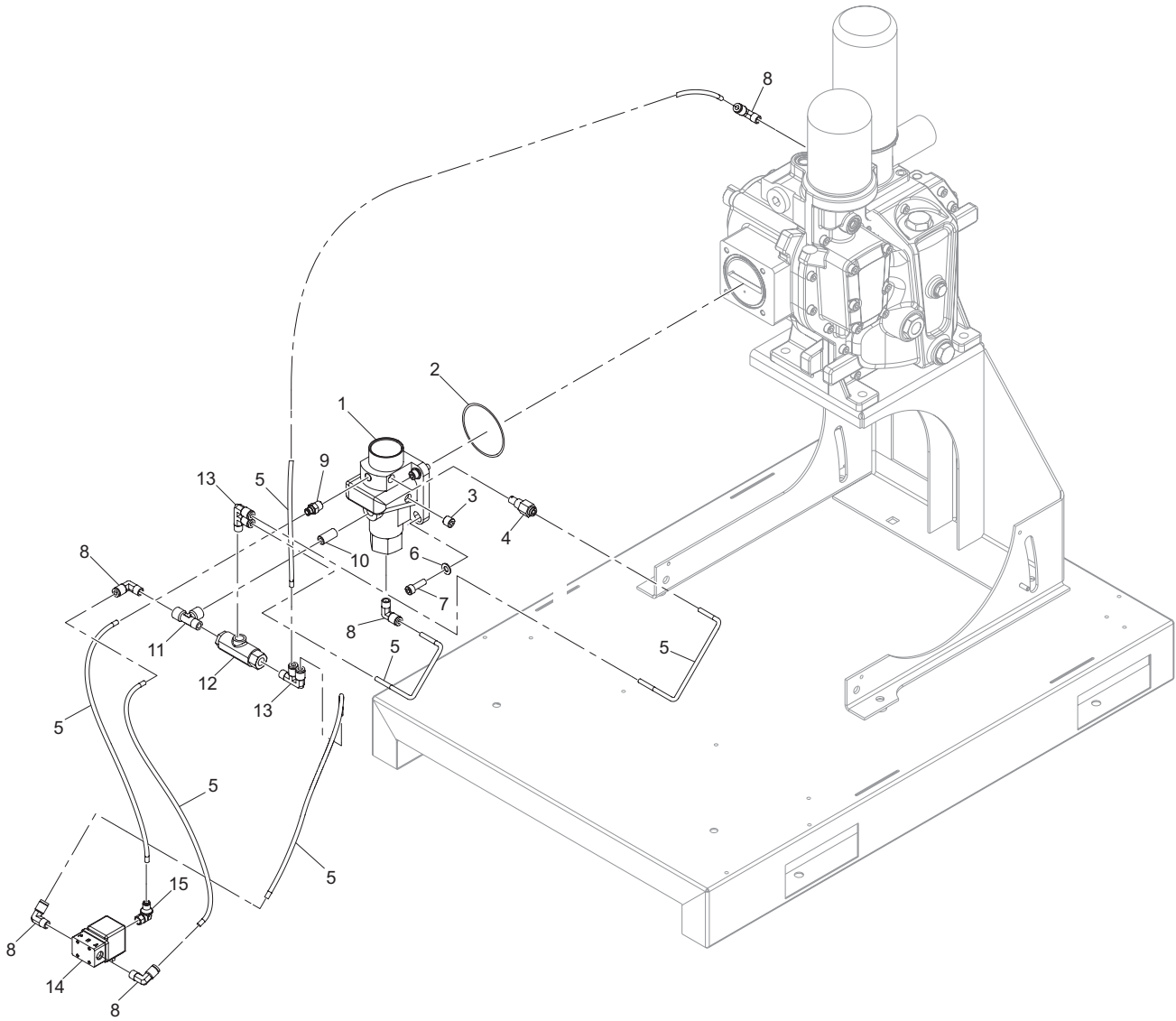
AUTOMATIC CONDENSATE DRAIN VALVE ASSEMBLY DRAWING



AUTOMATIC CONDENSATE DRAIN VALVE PARTS LIST

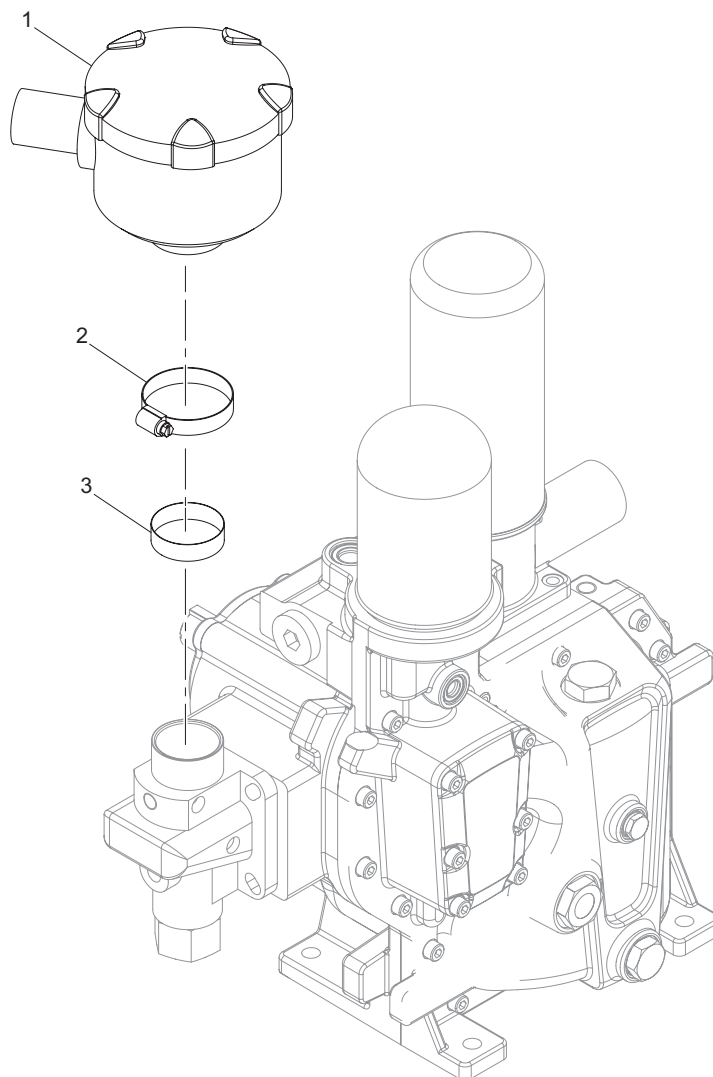
Item	Part No.	Qty	Description	Item	Part No.	Qty	Description
1	96704234	1	NUT, M6-1	8	85583367	1	GROMMET
2	14084123	4	WASHER, PLAIN	9	23635816	1	GLAND, CABLE
3	96727573	2	WASHER, LOCK	10	47515589001	1	VALVE, SOLENOID DRAIN 1/4NPT, 110V 1PH 50 Hz
4	96701958	2	SCREW M6-1 x16			1	VALVE, SOLENOID DRAIN 1/4NPT, 110V 1PH 60 Hz
5	22601371	1	CONNECTOR				
6	23452303	A/R	TUBE				
7	54403266	1	ELBOW (Liter Receiver)	A/R	AS REQUIRED		
	92067917	1	ELBOW (Gallon Receiver)				

CONTROLS ASSEMBLY DRAWING AND PARTS LIST



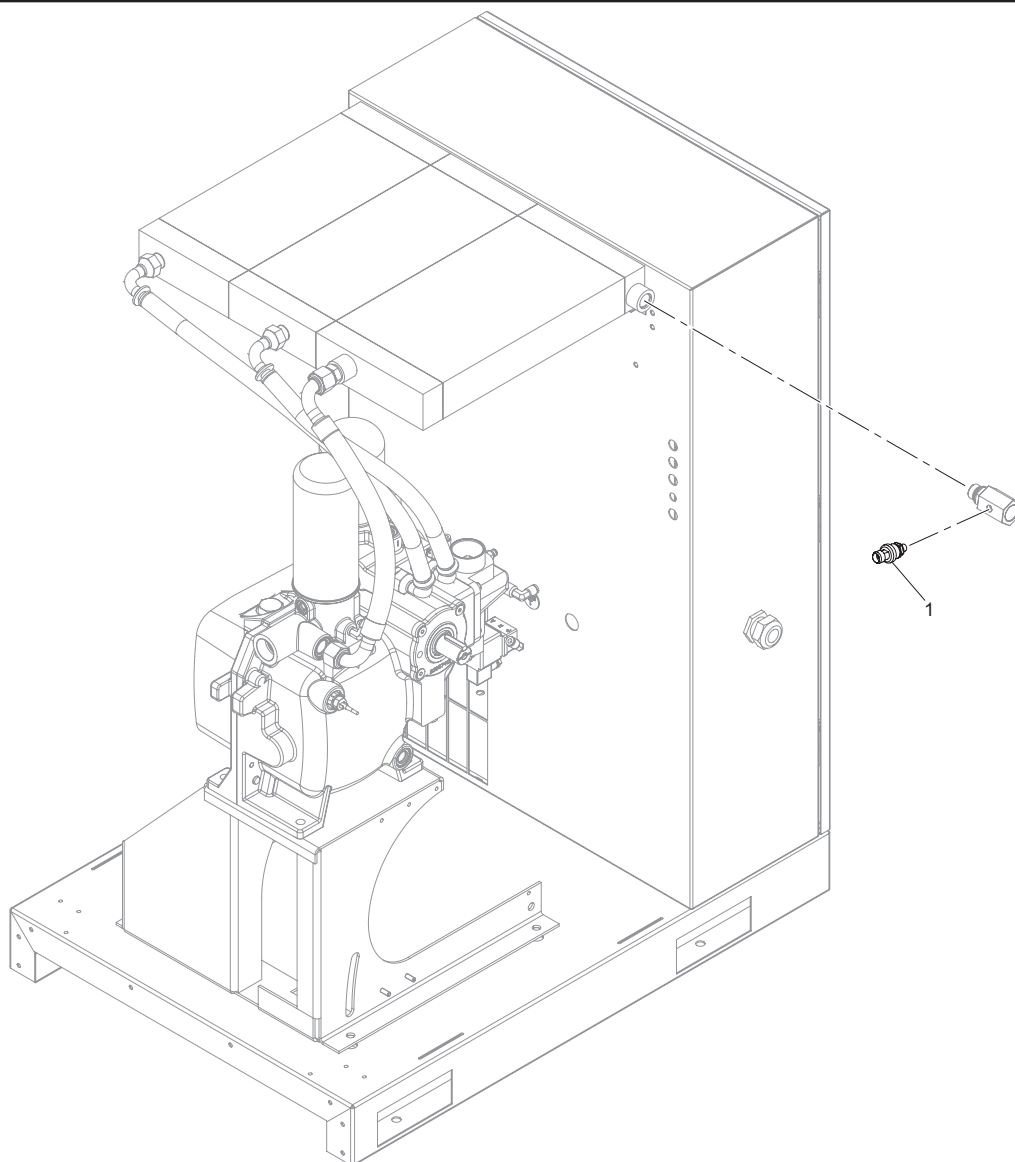
Item	Part No.	Qty	Description	Item	Part No.	Qty	Description
1	23972854	1	VALVE, INLET	14	47502725001	1	VALVE, SOLENOID 3WAY 110V 50Hz (Xe-70 EMEA)
2	95022323	1	O-RING		47517905001	1	VALVE, SOLENOID 3WAY 110V 60Hz (Xe-70 America)
3	22476667	1	PLUG		47498691001	1	VALVE, SOLENOID 3WAY 24V 50/60Hz (Xe-50)
4	22601926	1	CONNECTOR, ORIFICE	15	92725837	1	ELBOW
5	23452303	A/R	TUBE	A/R AS REQUIRED			
6	96704671	4	WASHER, PLAIN	NOTE: PRESSURE TRANSDUCER LOCATION IS SPECIFIC TO MACHINE CONFIGURATION. SEE CORRESPONDING CONTROLS ASSEMBLY VIEW FOR CCN AND LOCATION.			
7	96708060	4	SCREW, M8 x 25				
8	54403266	5	ELBOW				
9	92788959	1	CONNECTOR				
10	92354539	1	NIPPLE				
11	92931518	1	TEE				
12	24260903	1	VALVE, BLOWDOWN				
13	92794262	2	ELBOW, DOUBLE				

FILTER ASSEMBLY DRAWING AND PARTS LIST



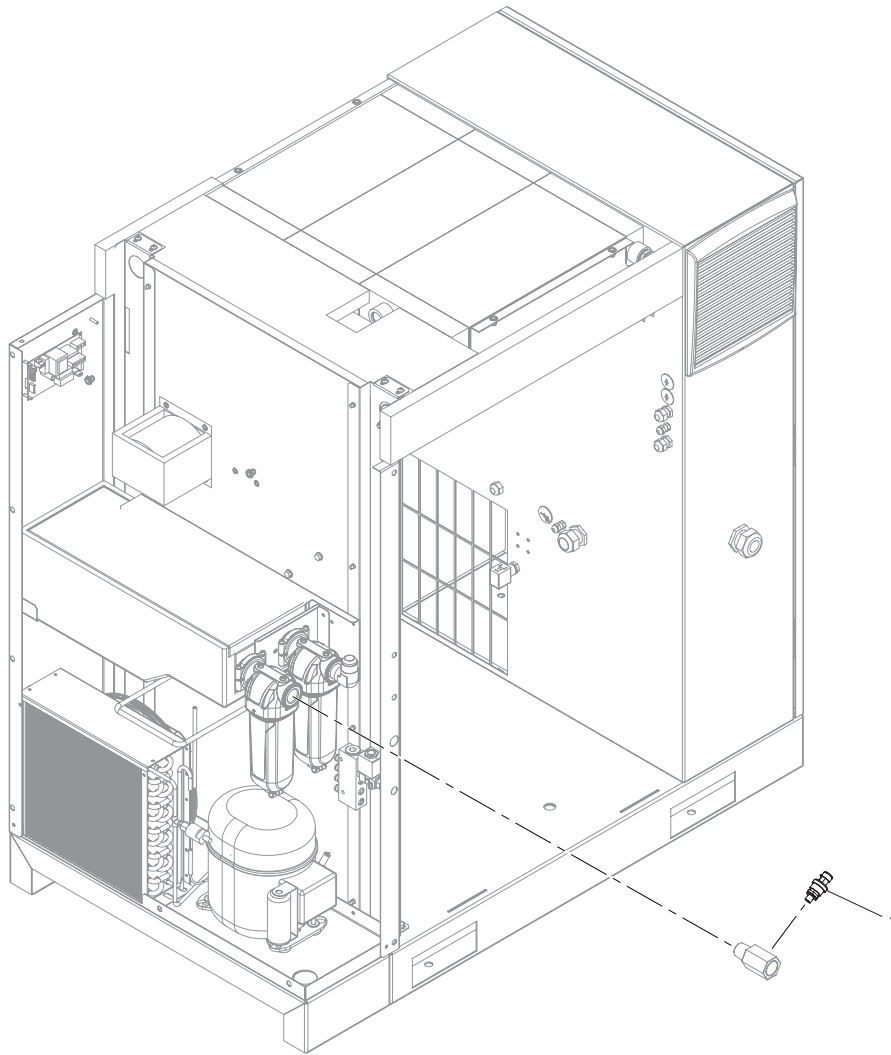
Item	Part No.	Qty	Description	Item	Part No.	Qty	Description
1	89243778	1	FILTER, AIR				
2	95235156	1	CLAMP				
3	89246078	1	SEAL, SPACER				
**	88171913	1	ELEMENT, FILTER				
**	NOT ILLUSTRATED						

CONTROLS ASSEMBLY (NO RECEIVER/NO DRYER) DRAWING AND PARTS LIST



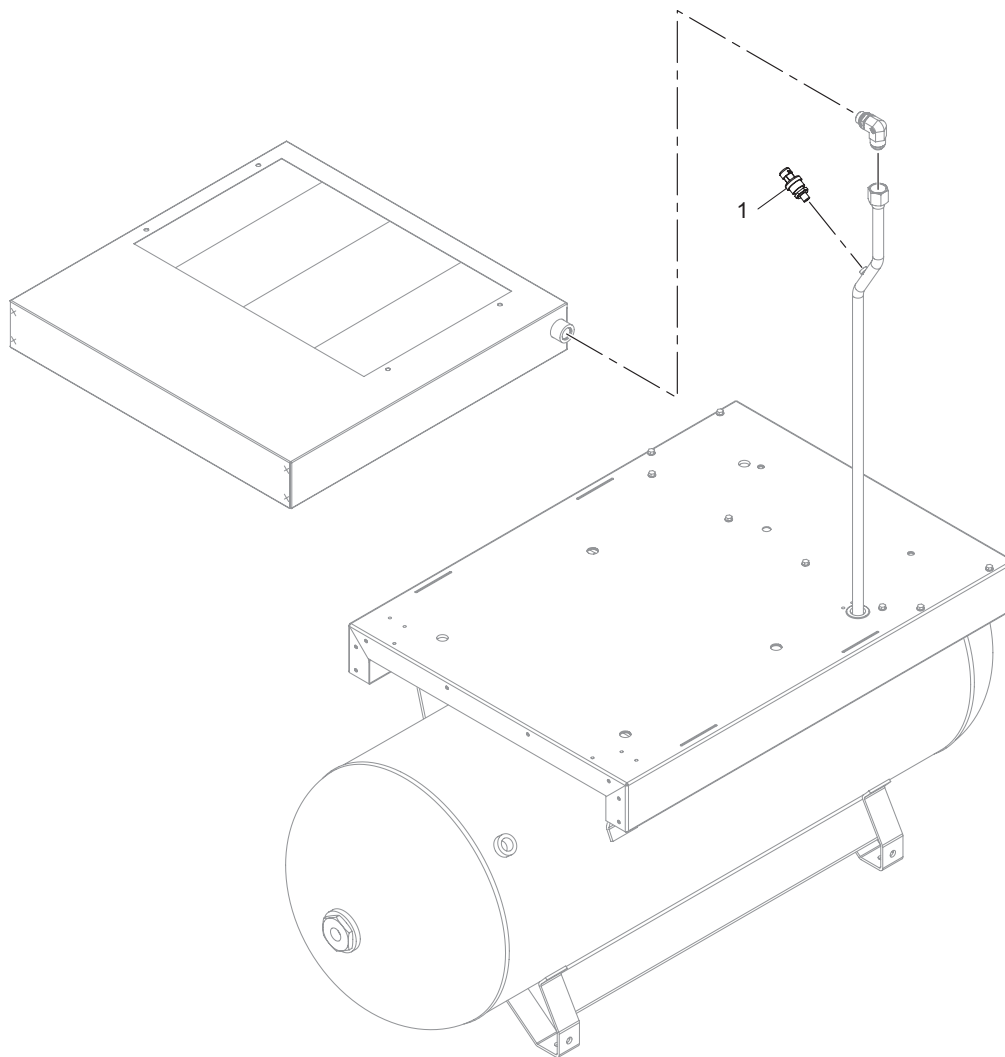
Item	Part No.	Qty	Description	Item	Part No.	Qty	Description
1	22359632	1	TRANSDUCER, PRESSURE				

**CONTROLS ASSEMBLY (NO RECEIVER/WITH DRYER)
DRAWING AND PARTS LIST**



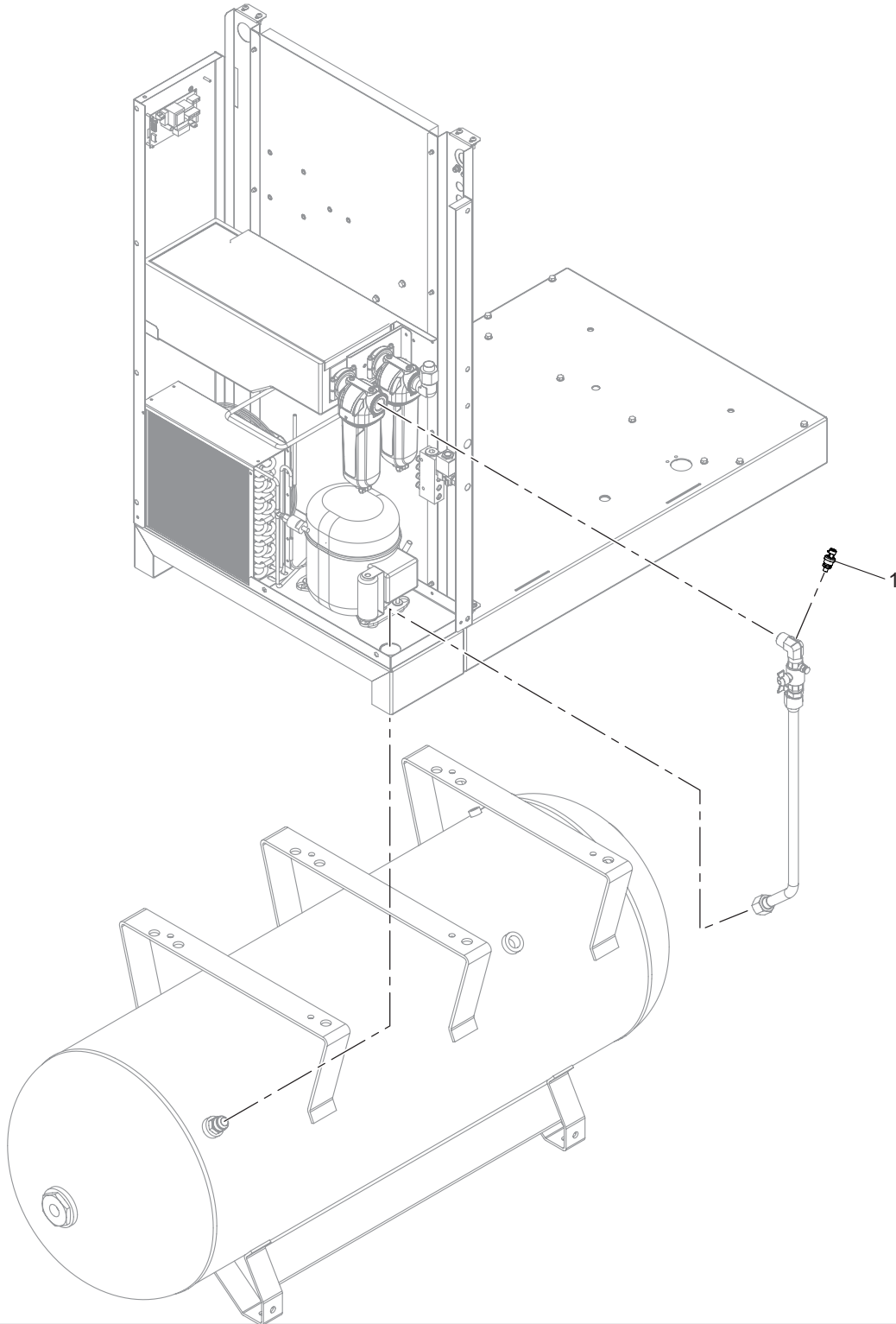
Item	Part No.	Qty	Description	Item	Part No.	Qty	Description
1	22359632	1	TRANSDUCER, PRESSURE				

**CONTROLS ASSEMBLY (RECEIVER/NO DRYER)
DRAWING AND PARTS LIST**



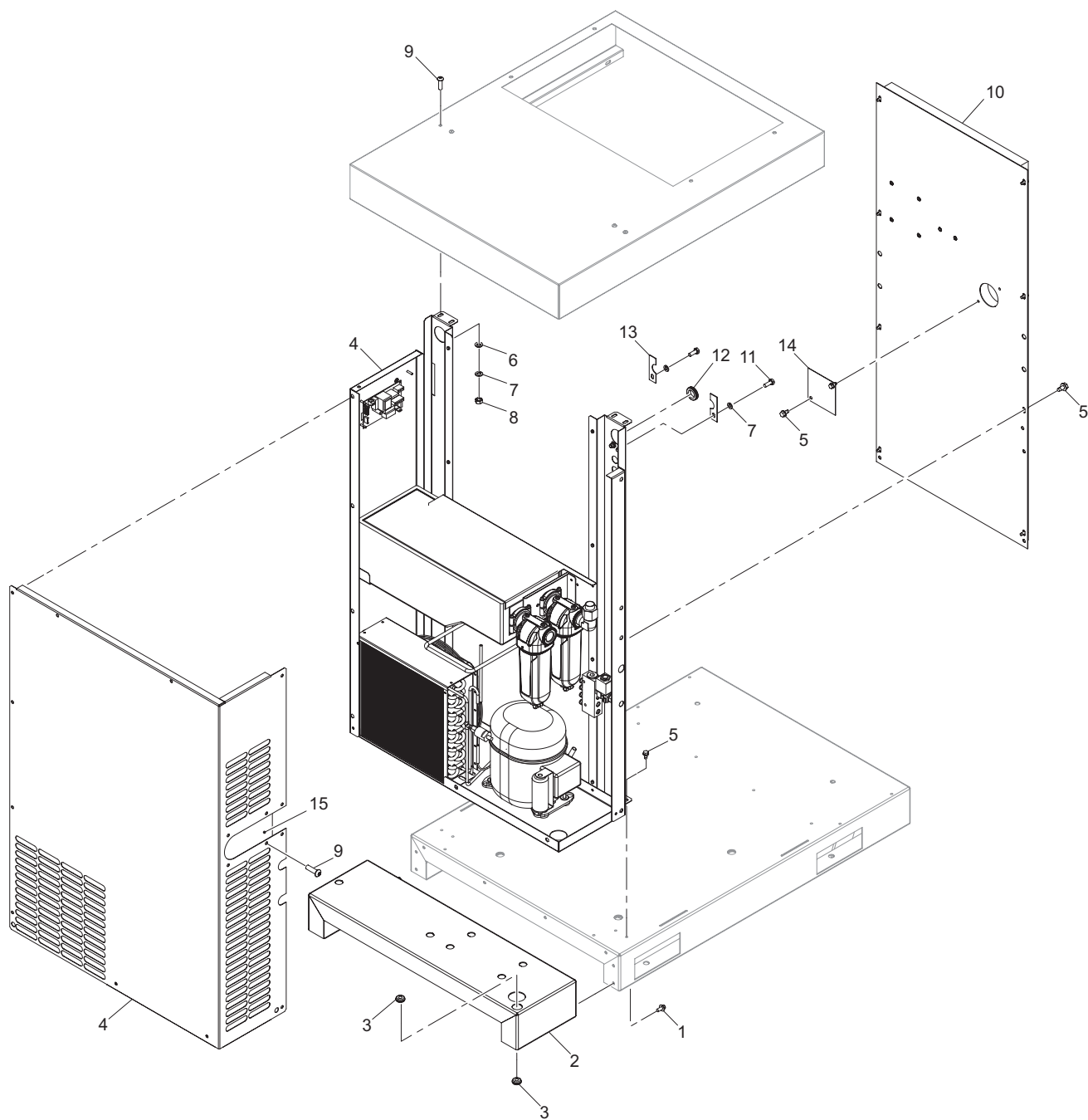
Item	Part No.	Qty	Description	Item	Part No.	Qty	Description
1	22359632	1	TRANSDUCER, PRESSURE				

CONTROLS ASSEMBLY (RECEIVER/WITH DRYER) DRAWING AND PARTS LIST



Item	Part No.	Qty	Description	Item	Part No.	Qty	Description
1	22359632	1	TRANSDUCER, PRESSURE				

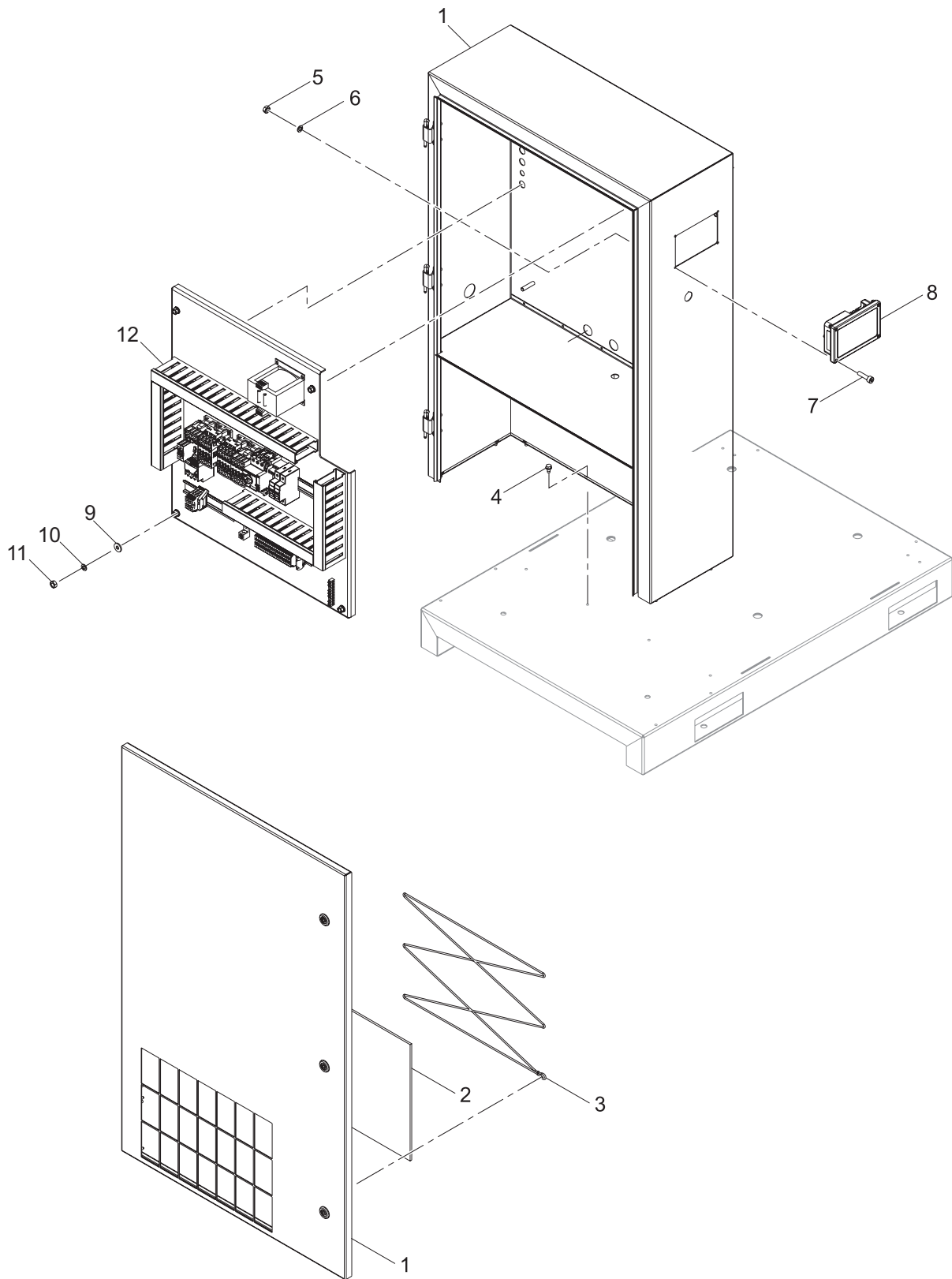
DRYER ASSEMBLY DRAWING



DRYER PARTS LIST

Item	Part No.	Qty	Description	Item	Part No.	Qty	Description
1	96705058	8	SCREW, M6 x 12	9	96739313	8	SCREW M6 x 20
2	24365926	1	SUPPORT, BASE (Dryer)	10	47499743001	1	PANEL, DRYER BACK
3	85583367	2	GROMMET		47522834001	1	PANEL, DRYER BACK (Campbellsville)
4	24646317	1	24646317 DRYER, 50/60Hz (EMEA and Brazil)		47525690001	1	PANEL, DRYER BACK (Curitiba)
	47518888	1	DRYER, R4-11kW 60Hz (Dryer USA)	11	96701958	2	SCREW M6-1 x 16
5	92368687	14	SCREW M6 x 1 x 12	12	22390132	1	GROMMET
6	96727581	4	WASHER, PLAIN	13	24368193	2	COVER, TUBE COOL
7	96727573	6	WASHER, LOCK	14	47507362001	1	PLATE, COVER MPCV
8	96704234	4	NUT M6-1	15	47507363001	1	PLATE, COVER DRYER OUTLET

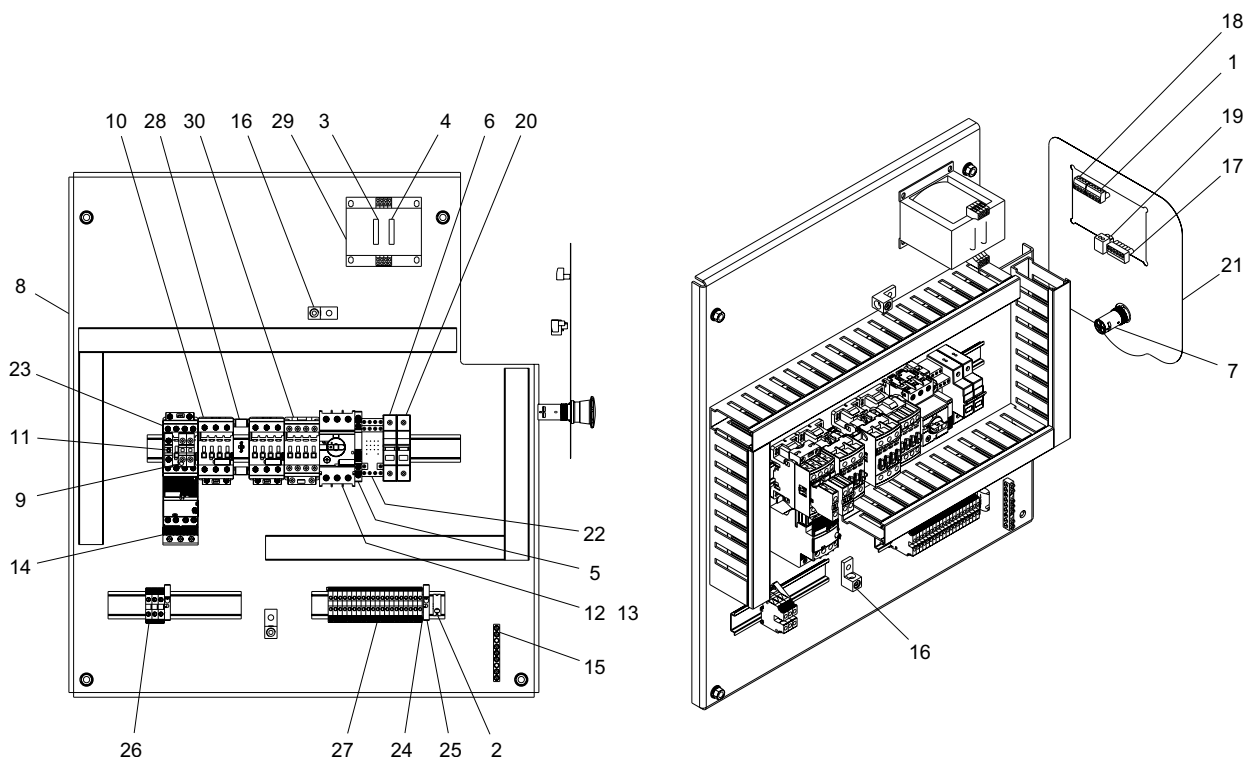
STARTER (XE-50M) ASSEMBLY DRAWING



STARTER (XE-50M) PARTS LIST

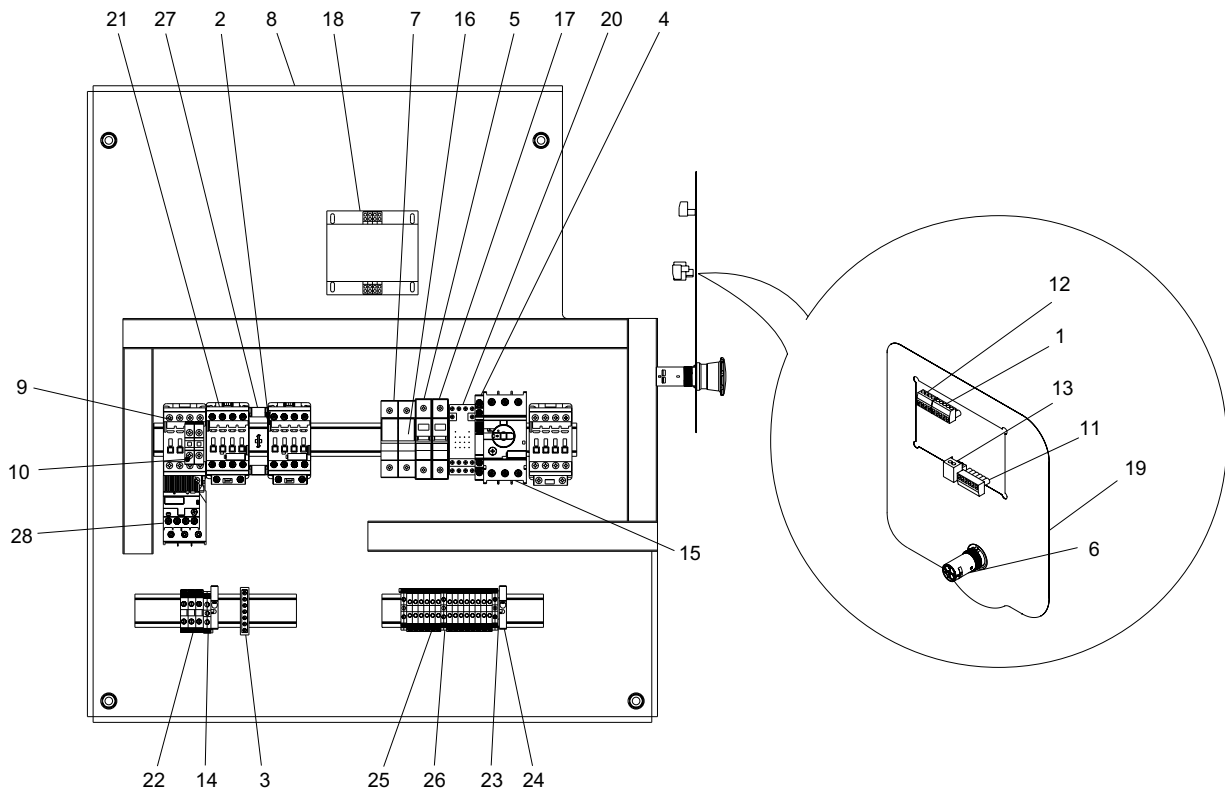
Item	Part No.	Qty	Description	Item	Part No.	Qty	Description
1	47498721	1	STARTER BOX, FS (Xe-50)				
2	24286676	1	PAD, PRE-FILTER				
3	24287625	1	CORD, BLACK ELASTIC				
4	92368687	8	SCREW M6x1x12				
5	96703756	4	NUT, M4-0.7				
6	92340447	4	WASHER, LOCK				
7	96721147	4	SCREW, M4x16				
8	24301434	1	CONTROLLER, Xe 50				
9	96704671	4	WASHER, PLAIN				
10	96741467	4	WASHER, LOCK				
11	96701370	4	NUT				
12	47519038001	1	BACKPANEL 15Hp, 208-230/460V, 50/60Hz, S/D, Xe-50M	12	47519017001	1	BACKPANEL 5Hp, 575V, 50/60Hz, DOL, Xe-50M
	47499679001	1	BACKPANEL 7.5KW, 400V, 50/60Hz, S/D, Xe-50M		47526209001	1	BACKPANEL 15Hp, 220V, 50/60Hz, S/D, Xe-50M
	47526208001	1	BACKPANEL 10Hp, 380/440V, 50/60Hz, S/D, Xe-50M		47519048001	1	BACKPANEL 7.5Hp, 575V, 50/60Hz, S/D, Xe-50M
	47519034001	1	BACKPANEL 7.5Hp, 208-230/460V, 50/60Hz, S/D, Xe-50M		47521078001	1	BACKPANEL 11KW, 230V, 50/60Hz, S/D, Xe-50M
	47519054001	1	BACKPANEL 15Hp, 575V, 50/60Hz, S/D, Xe-50M		47505662001	1	BACKPANEL 5/7.5Hp, 1PH 208/230V60Hz, DOL, Xe-50M
	47526210001	1	BACKPANEL 15Hp, 380/440V, 50/60Hz, S/D, Xe-50M		47521073001	1	BACKPANEL 5.5KW, 230V, 50/60Hz, S/D, Xe-50M
	47526207001	1	BACKPANEL 10Hp, 220V, 50/60Hz, S/D, Xe-50M		47519052001	1	BACKPANEL 10Hp, 575V, 50/60Hz, S/D, Xe-50M
				47521076001	1	BACKPANEL 7.5KW, 230V, 50/60Hz, S/D, Xe-50M	
				47519036001	1	BACKPANEL 10Hp, 208-230/460V, 50/60Hz, S/D, Xe-50M	
				47519002001	1	BACKPANEL 5Hp, 208-230/460V, 50/60Hz, DOL, Xe-50M	
				47499660001	1	BACKPANEL 5.5KW, 400V, 50/60Hz, S/D, Xe-50M	
				47499682001	1	BACKPANEL 11KW, 400V, 50/60Hz, S/D, Xe-50M	

BACKPANEL 15HP, 208-230/460V, 50/60HZ, S/D, XE-50M



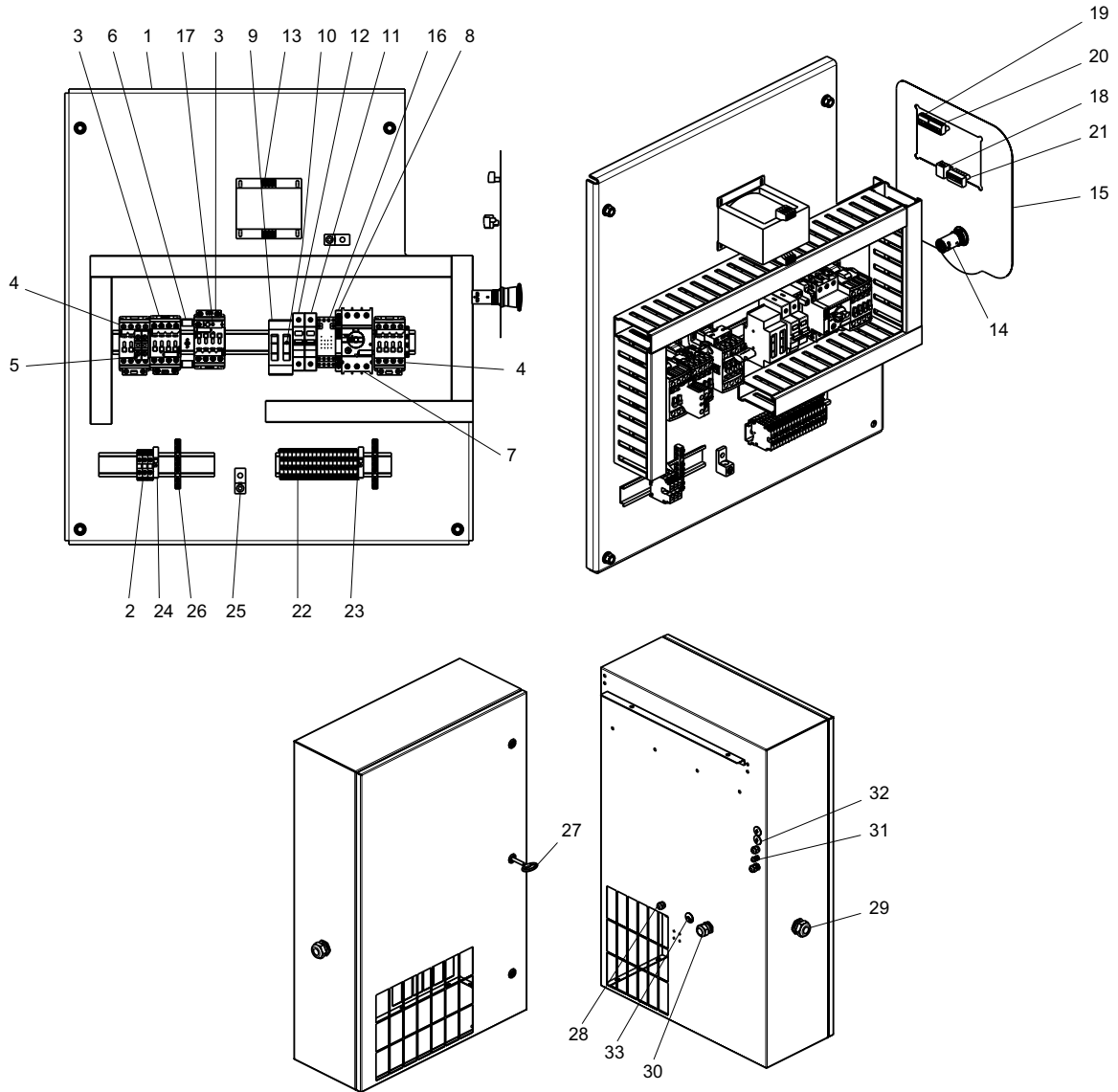
Item	Part No.	Qty	Description	Item	Part No.	Qty	Description
1	22076699	1	PLUG	16	32342123	2	LUG, GROUNDING
2	22085864	1	SUPPRESSOR, ARC	17	39186093	1	PLUG, 6 POSITION
3	23238066	2	FUSE, T - 0.5A, 6.3X32 mm	18	39186101	1	PLUG, 4 POSITION
4	23639552	2	FUSE, 1A(T) 6.3X32 mm 500V	19	39242367	1	PLUG, 2 POSITION
5	23712301	1	BLOCK, AUX CONTACT	20	47499666	1	BREAKER, MINI-CIR
6	23770514	1	BREAKER, MINI-CIRCUIT	21	47499668	1	DECAL, FACIA XE-50
7	23990716	1	STOP, EMERGENCY	22	47499669	1	BASE, RELAY SCHRACK
8	24185209	1	PANEL	23	47499683	1	CONTACTOR
9	24468308	2	BLOCK, AUX. CONTACT	24	54612940	1	TERMINAL, END PLATE
10	24469728	2	CONTACTOR	25	89205397	2	TERMINAL, END STOP
11	24474116	1	CONTACT, AUX	26	89245468	3	TERMINAL, 63A
12	24592560	1	BREAKER, MOTOR 0.4-0.63A 3P MS116-0.63	27	93469625	20	TERMINAL, 35A
13	24592586	1	BREAKER, MOTOR 0.63-1.0A 3P MS116-1.0	28	47499662001	1	INTERLOCK, MECHANICAL
14	24730152	1	RELAY, OVERLOAD	29	47518259001	1	TRANSFORMER, 208/230/460/575V
15	32342115	1	BUS, ALUMINIUM GROUNDING	30	24468241	1	CONTACTOR, 9A AF09-30-10-12

BACKPANEL 7.5KW, 400V, 50/60HZ, S/D, XE-50M



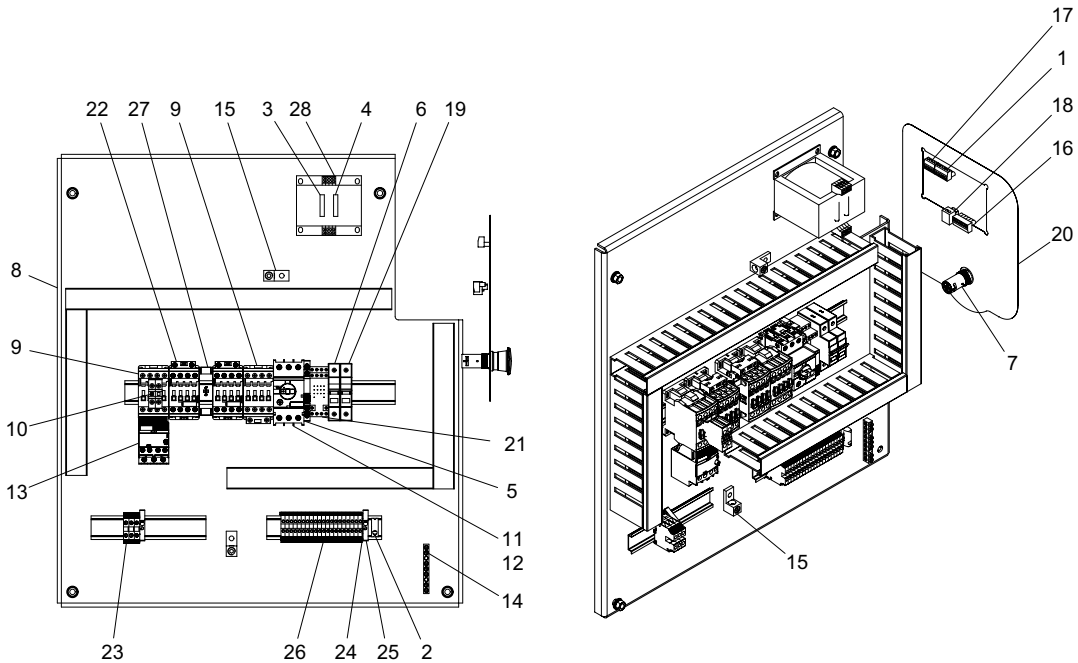
Item	Part No.	Qty	Description	Item	Part No.	Qty	Description
1	22076699	1	PLUG, 5 POSITION	16	47499665	2	FUSE, 0.5A
2	22085864	1	SUPPRESSOR, ARC	17	47499666	1	BREAKER, MINI-CIR 1.6A
3	23526478	1	BUS, GROUNDING	18	47499667	1	TRANSFORMER, 125VA 380/400/415V-50VA24V/75VA110V
4	23712301	1	BLOCK, AUX CONTACT	19	47499668	1	DECAL, FACIA XE-50
5	23770514	1	BREAKER, MINI-CIRCUIT	20	47499669	1	BASE, RELAY SCHRACK
6	23990716	1	STOP, EMERGENCY	21	47499680	2	CONTACTOR
7	24141962	1	HOLDER, FUSE	22	47499941	3	TERMINAL, 41A
8	24185209	1	PANEL, MOUNTING STARTER	23	54612940	1	TERMINAL, END PLATE
9	24468241	2	CONTACTOR, 9A	24	89205397	2	TERMINAL, END STOP
10	24468308	2	BLOCK, AUX. CONTACT	25	93469625	14	TERMINAL, 35A
11	39186093	1	PLUG, 6 POSITION	26	93469633	3	TERMINAL, EARTH
12	39186101	1	PLUG, 4 POSITION	27	47499662001	1	INTERLOCK, MECHANICAL
13	39242367	1	PLUG, 2 POSITION	28	47499681001	1	RELAY, O/L
14	47499661	1	TERMINAL				
15	47499664	1	BREAKER, MOTOR				

BACKPANEL 10HP, 380/440V, 50/60HZ, S/D, XE-50M



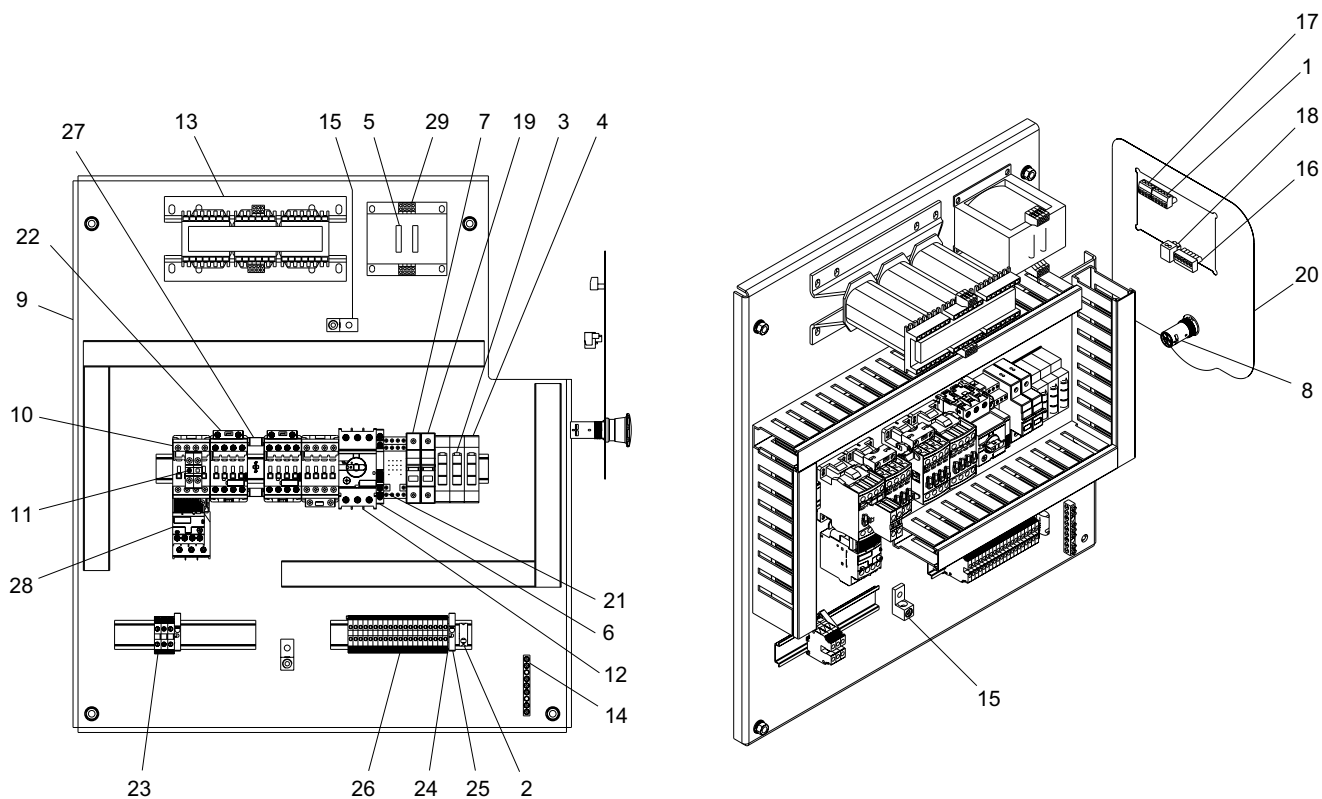
Item	Part No.	Qty	Description	Item	Part No.	Qty	Description
1	24185209	1	PANEL, MOUNTING STARTER	17	22085864	1	SUPPRESSOR, ARC
2	47499941	3	TERMINAL, 41A	18	39242367	1	PLUG, 2 POSITION
3	47499680	2	CONTACTOR	19	39186101	1	PLUG, 4 POSITION
4	24468241	2	CONTACTOR, 9A	20	22076699	1	PLUG, 5 POSITION
5	24468308	2	BLOCK, AUX. CONTACT	21	39186093	1	PLUG, 6 POSITION
6	47499662001	1	INTERLOCK, MECHANICAL	22	93469625	20	TERMINAL, 35A
7	24592560	1	BREAKER, MOTOR	23	54612940	1	TERMINAL, END PLATE
8	23712301	1	BLOCK, AUX CONTACT	24	89205397	2	TERMINAL, END STOP
9	22505788	1	HOLDER, FUSE 2-POLE	25	32342123	2	LUG, GROUNDING
10	47504387001	2	FUSE, 0.5A	26	32342115	2	BUS, ALUMINIUM GROUNDING
11	47499666	1	BREAKER, MINI-CIR 1.6A	27	89295091	1	KEY, DOOR LOCK
12	23770514	1	BREAKER, MINI-CIRCUIT 3A	28	23635816	3	GLAND, CABLE
13	47526206001	1	TRANSFORMER, 125VA 220/380/440-50VA24V/75VA110V	29	22376776	1	GLAND, CABLE
14	23990716	1	STOP, EMERGENCY	30	22501720	1	GLAND, CABLE
15	47499668	1	DECAL, FACIA XE-50	31	39173927	1	GLAND, CABLE
16	47499669	1	BASE, RELAY SCHRACK	32	23745995	3	PLUG
				33	23712343	1	PLUG, M25 BLACK

BACKPANEL 7.5HP, 208-230/460V, 50/60HZ, S/D, XE-50M



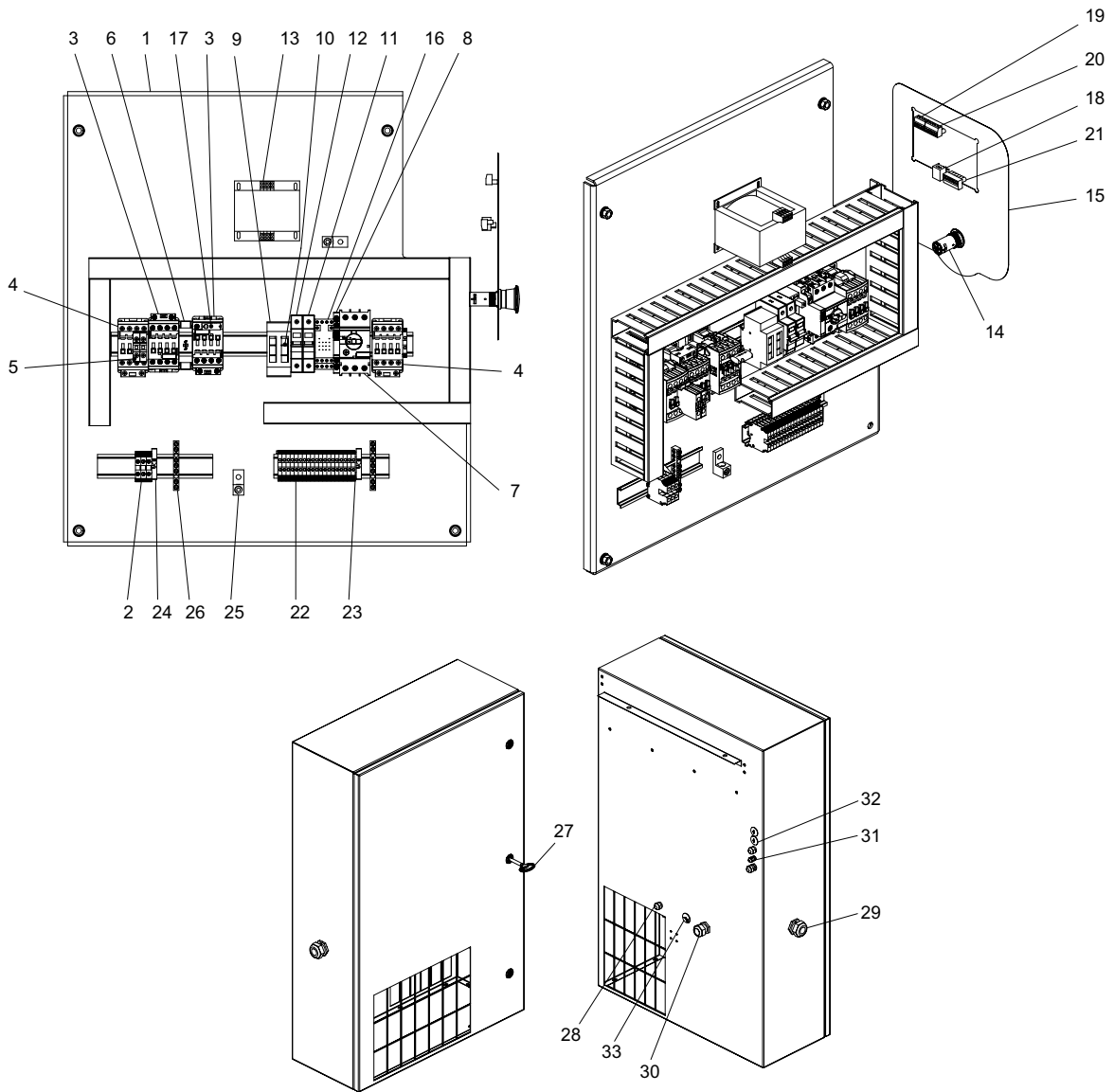
Item	Part No.	Qty	Description	Item	Part No.	Qty	Description
1	22076699	1	PLUG, 5 POSITION	15	32342123	2	LUG, GROUNDING
2	22085864	1	SUPPRESSOR, ARC	16	39186093	1	PLUG, 6 POSITION
3	23238066	2	FUSE, T - 0.5A, 6.3X32 mm	17	39186101	1	PLUG, 4 POSITION
4	23639552	2	FUSE, 1A(T) 6.3X32 mm 500V	18	39242367	1	PLUG, 2 POSITION
5	23712301	1	BLOCK, AUX CONTACT	19	47499666	1	BREAKER, MINI-CIR 1.6A
6	23770514	1	BREAKER, MINI-CIRCUIT 3A	20	47499668	1	DECAL, FACIA XE-50
7	23990716	1	STOP, EMERGENCY	21	47499669	1	BASE, RELAY SCHRACK
8	24185209	1	PANEL, MOUNTING STARTER	22	47499683	2	CONTACTOR
9	24468241	2	CONTACTOR, 9A	23	47499941	3	TERMINAL, 41A
10	24468308	2	BLOCK, AUX. CONTACT	24	54612940	1	TERMINAL, END PLATE
11	24592560	1	BREAKER, MOTOR 0.4-0.63A 3P MS116-0.63	25	89205397	2	TERMINAL, END STOP
12	24592586	1	BREAKER, MOTOR 0.63-1.0A 3P MS116-1.0	26	93469625	20	TERMINAL, 35A
13	24730178	1	RELAY, OVERLOAD	27	47499662001	1	INTERLOCK, MECHANICAL
14	32342115	1	BUS, ALUMINIUM GROUNDING	28	47518259001	1	TRANSFORMER, 208/230/460/575V WITH FUSE BLOCKS

BACKPANEL 15HP, 575V, 50/60HZ, S/D, XE-50M



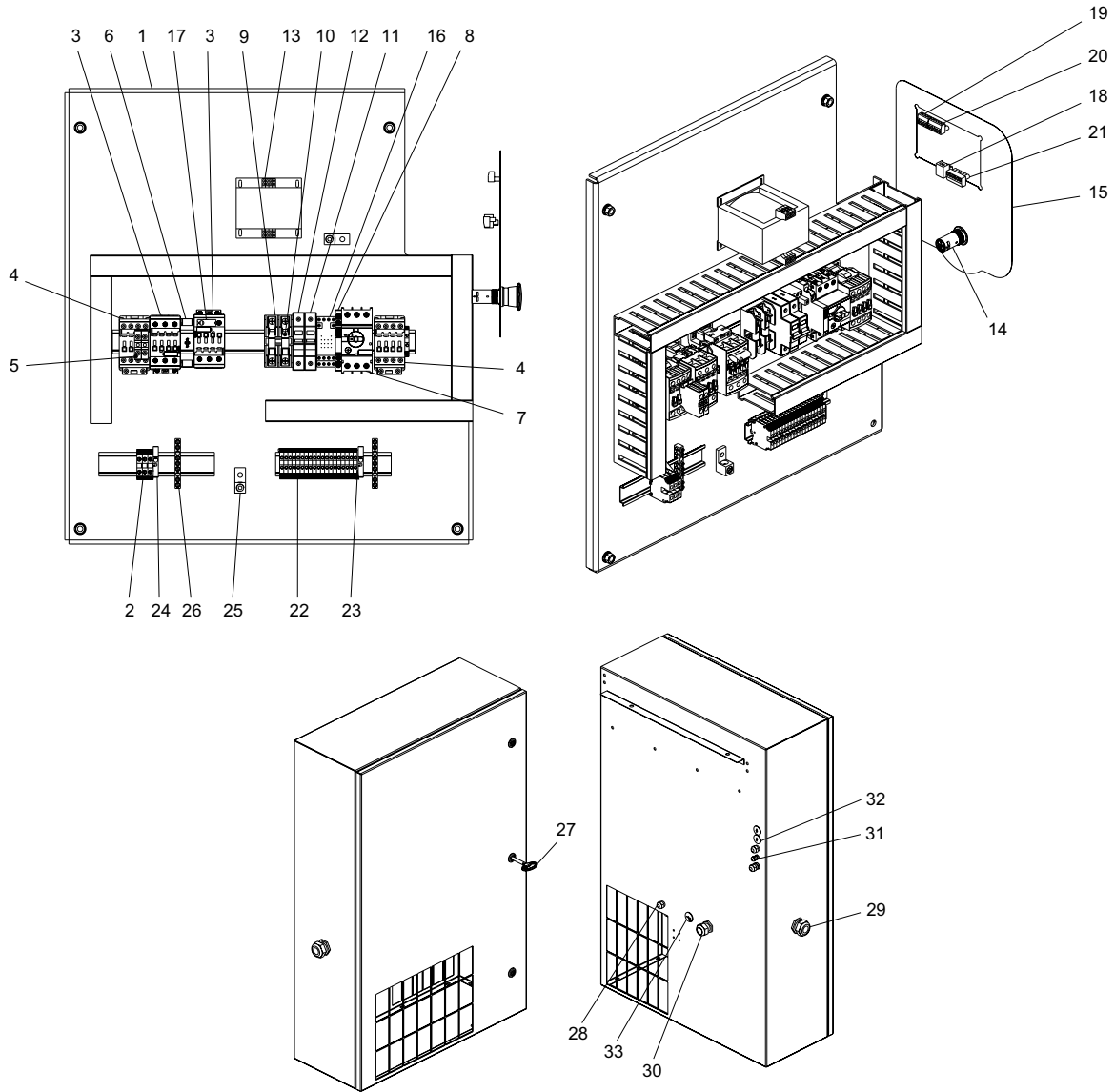
Item	Part No.	Qty	Description	Item	Part No.	Qty	Description
1	22076699	1	PLUG, 5 POSITION	16	39186093	1	PLUG, 6 POSITION
2	22085864	1	SUPPRESSOR, ARC	17	39186101	1	PLUG, 4 POSITION
3	22269682	3	FUSE, TIME DELAY	18	39242367	1	PLUG, 2 POSITION
4	22344253	1	HOLDER, 3-POLE FUSE	19	47499666	1	BREAKER, MINI-CIR 1.6A
5	23238066	2	FUSE, T - 0.5A	20	47499668	1	DECAL, FACIA XE-50
6	23712301	1	BLOCK, AUX CONTACT	21	47499669	1	BASE, RELAY SCHRACK
7	23770514	1	BREAKER, MINI-CIRCUIT 3A	22	47499683	2	CONTACTOR
8	23990716	1	STOP, EMERGENCY	23	47499941	3	TERMINAL, 41A
9	24185209	1	PANEL, MOUNTING STARTER	24	54612940	1	TERMINAL, END PLATE
10	24468241	2	CONTACTOR, 9A	25	89205397	2	TERMINAL, END STOP
11	24468308	2	BLOCK, AUX. CONTACT	26	93469625	20	TERMINAL, 35A
12	24592586	1	BREAKER, MOTOR	27	47499662001	1	INTERLOCK, MECHANICAL
13	24592594	1	TRANSFORMER, 3PH 400VA 575/230V	28	47499681001	1	RELAY, O/L
14	32342115	1	BUS, ALUMINIUM GROUNDING	29	47518259001	1	TRANSFORMER, 208/230/460/575V WITH FUSE BLOCKS
15	32342123	2	LUG, GROUNDING				

BACKPANEL 15HP, 380/440V, 50/60HZ, S/D, XE-50M



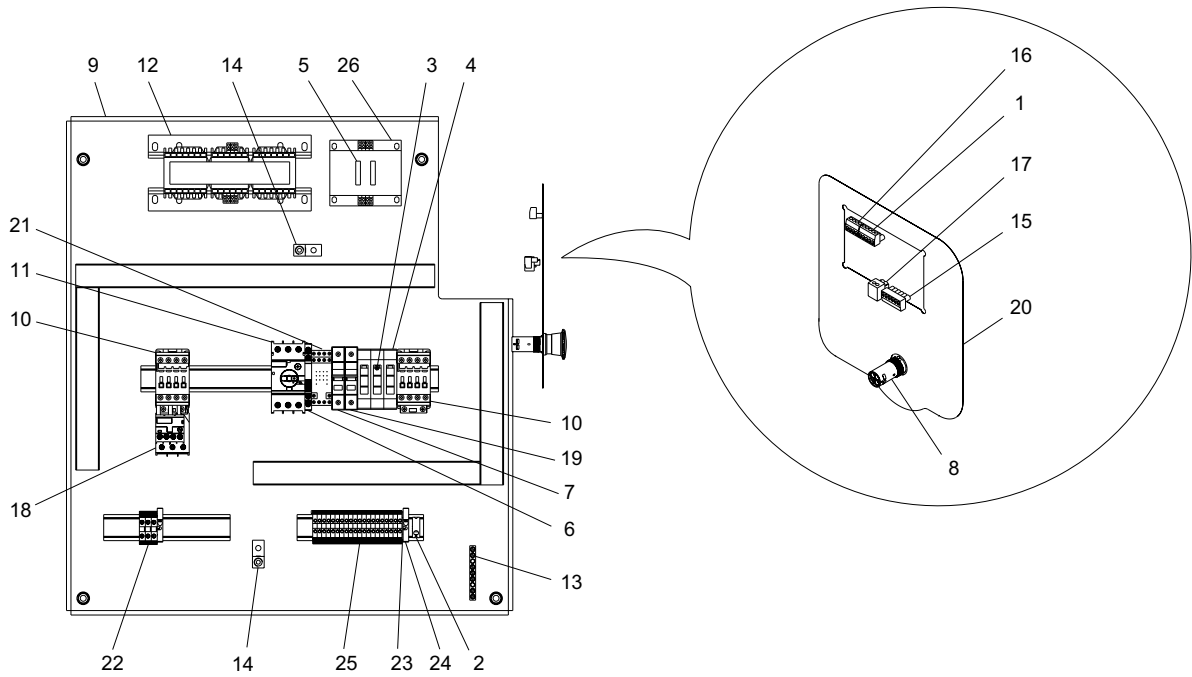
Item	Part No.	Qty	Description	Item	Part No.	Qty	Description
1	24185209	1	PANEL, MOUNTING STARTER	17	22085864	1	SUPPRESSOR, ARC
2	47499941	3	TERMINAL, 41A	18	39242367	1	PLUG, 2 POSITION
3	47499683	2	CONTACTOR, AF16-30-10-12, 48-130V AC/DC	19	39186101	1	PLUG, 4 POSITION
4	24468241	2	CONTACTOR, 9A AF09-30-10-12 (48-130V AC)	20	22076699	1	PLUG, 5 POSITION
5	24468308	2	BLOCK, AUX. CONTACT	21	39186093	1	PLUG, 6 POSITION
6	47499662001	1	INTERLOCK, MECHANICAL	22	93469625	20	TERMINAL, 35A
7	24592560	1	BREAKER, MOTOR	23	54612940	1	TERMINAL, END PLATE
8	23712301	1	BLOCK, AUX CONTACT	24	89205397	2	TERMINAL, END STOP
9	22505788	1	HOLDER, FUSE 2-POLE	25	32342123	2	LUG, GROUNDING
10	47504387001	2	FUSE, 0.5A 600VAC CCMR	26	32342115	2	BUS, ALUMINIUM GROUNDING
11	47499666	1	BREAKER, MINI-CIR 1.6A	27	89295091	1	KEY, DOOR LOCK 5 mm DOUBLE BIT
12	23770514	1	BREAKER, MINI-CIRCUIT 3A	28	23635816	3	GLAND, CABLE M16X1.5 BLACK
13	47526206001	1	TRANSFORMER, 125VA 220/380/440-50VA24V/75VA110V	29	22376776	1	GLAND, CABLE M32 X 1.5 BLACK
14	23990716	1	STOP, EMERGENCY	30	22501720	1	GLAND, CABLE M25X1.5
15	47499668	1	DECAL, FACIA XE-50	31	39173927	1	GLAND, CABLE M12 X 1.27
16	47499669	1	BASE, RELAY SCHRACK	32	23745995	3	PLUG M16, BLACK
				33	23712343	1	PLUG, M25 BLACK

BACKPANEL 10HP, 220V, 50/60HZ, S/D, XE-50M



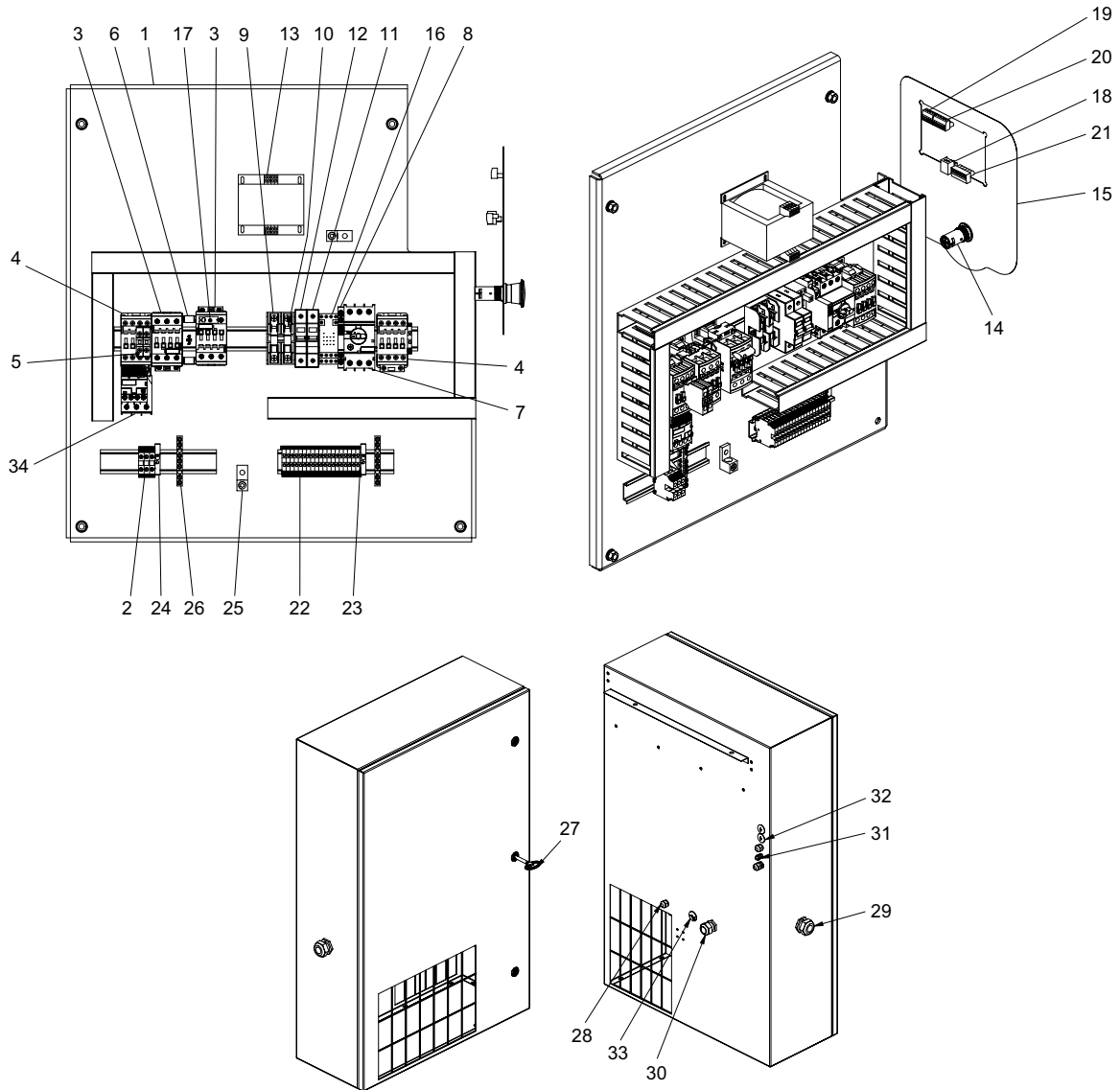
Item	Part No.	Qty	Description	Item	Part No.	Qty	Description
1	24185209	1	PANEL, MOUNTING STARTER	16	47499669	1	BASE, RELAY SCHRACK
2	47499941	3	TERMINAL, 41A	17	22085864	1	SUPPRESSOR, ARC
3	24469710	2	CONTACTOR, AF26, 0 AUX CONT, ABB AF26-30-00-12	18	39242367	1	PLUG, 2 POSITION
4	24468241	2	CONTACTOR, 9A AF09-30-10-12 (48-130V AC)	19	39186101	1	PLUG, 4 POSITION
5	24468308	2	BLOCK, AUX. CONTACT	20	22076699	1	PLUG, 5 POSITION
6	47499662001	1	INTERLOCK, MECHANICAL	21	39186093	1	PLUG, 6 POSITION
7	24592586	1	BREAKER, MOTOR	22	93469625	20	TERMINAL, 35A
8	23712301	1	BLOCK, AUX CONTACT	23	54612940	1	TERMINAL, END PLATE
9	39480504	1	HOLDER, FUSE 2	24	89205397	2	TERMINAL, END STOP
10	22269682	2	FUSE, TIME DELAY	25	32342123	2	LUG, GROUNDING
11	47499666	1	BREAKER, MINI-CIR 1.6A	26	32342115	2	BUS, ALUMINIUM GROUNDING
12	23770514	1	BREAKER, MINI-CIRCUIT 3A	27	89295091	1	KEY, DOOR LOCK
13	47526206001	1	TRANSFORMER, 125VA 220/380/440-50VA24V/75VA110V	28	23635816	3	GLAND, CABLE
14	23990716	1	STOP, EMERGENCY	29	22376776	1	GLAND, CABLE
15	47499668	1	DECAL, FACIA XE-50	30	22501720	1	GLAND, CABLE
				31	39173927	1	GLAND, CABLE
				32	23745995	3	PLUG
				33	23712343	1	PLUG

BACKPANEL 5HP, 575V, 50/60HZ, DOL, XE-50M



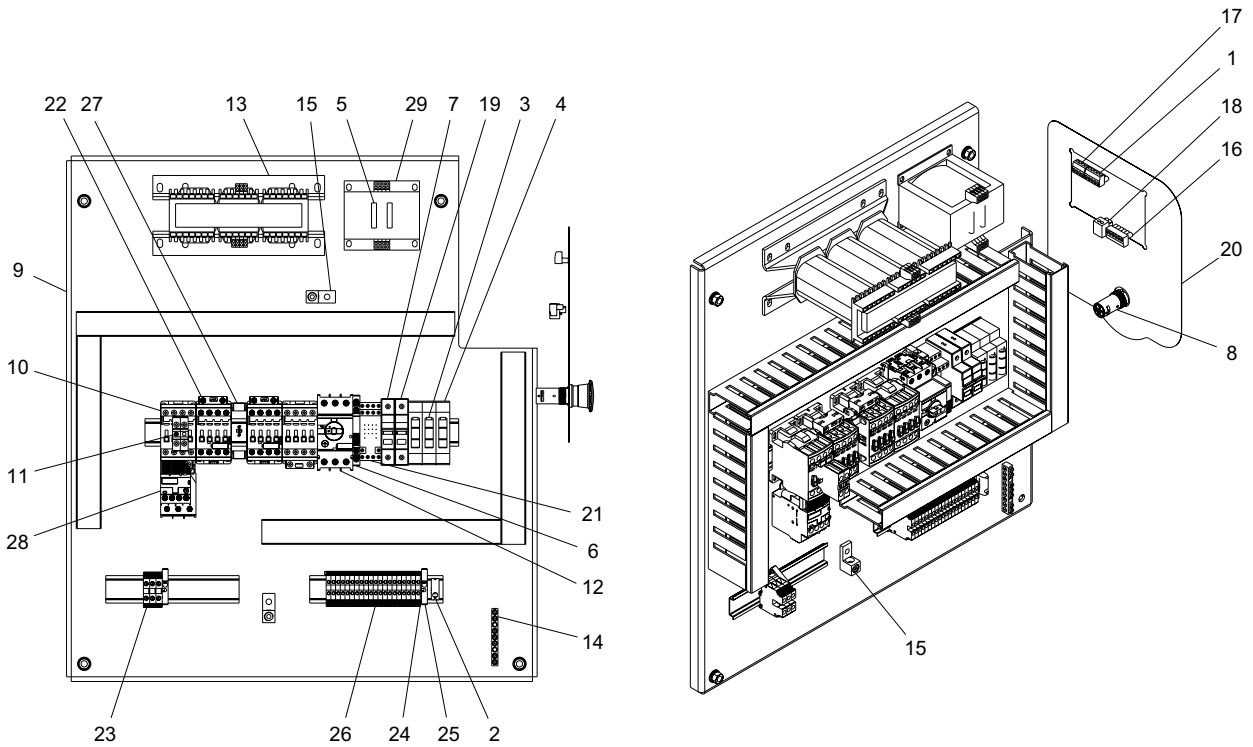
Item	Part No.	Qty	Description	Item	Part No.	Qty	Description
1	22076699	1	PLUG, 5 POSITION	14	32342123	2	LUG, GROUNDING
2	22085864	1	SUPPRESSOR, ARC	15	39186093	1	PLUG, 6 POSITION
3	22269682	3	FUSE, TIME DELAY	16	39186101	1	PLUG, 4 POSITION
4	22344253	1	HOLDER, 3-POLE FUSE	17	39242367	1	PLUG, 2 POSITION
5	23238066	2	FUSE, T - 0.5A	18	47499663001	1	RELAY, O/L
6	23712301	1	BLOCK, AUX CONTACT	19	47499666	1	BREAKER, MINI-CIR
7	23770514	1	BREAKER, MINI-CIRCUIT 3A	20	47499668	1	DECAL, FACIA XE-50
8	23990716	1	STOP, EMERGENCY	21	47499669	1	BASE, RELAY SCHRACK
9	24185209	1	PANEL, MOUNTING STARTER	22	47499941	3	TERMINAL, 41A
10	24468241	2	CONTACTOR, 9A	23	54612940	1	TERMINAL, END PLATE
11	24592586	1	BREAKER, MOTOR	24	89205397	2	TERMINAL, END STOP
12	24592594	1	TRANSFORMER, 3PH 400VA 575/230V	25	93469625	20	TERMINAL, 35A
13	32342115	1	BUS, ALUMINIUM GROUNDING	26	47518259001	1	TRANSFORMER, 208/230/460/575V WITH FUSE BLOCKS

BACKPANEL 15HP, 220V, 50/60HZ, S/D, XE-50M



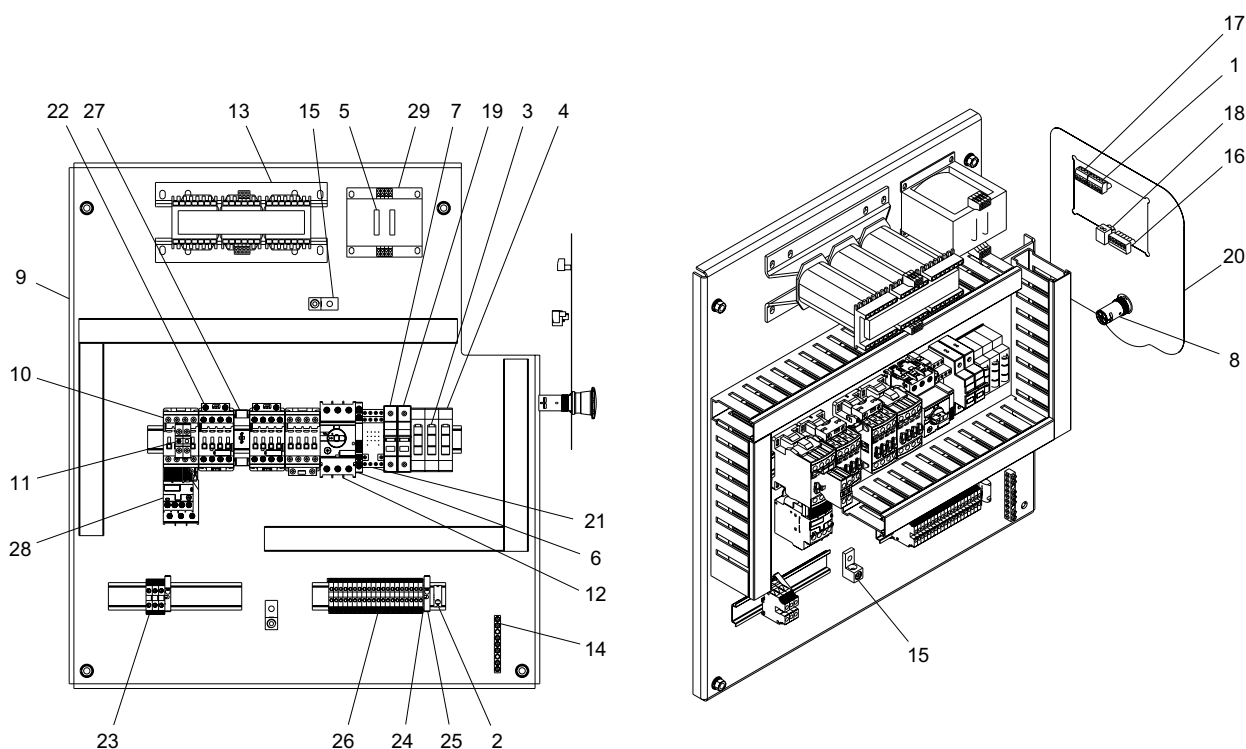
Item	Part No.	Qty	Description	Item	Part No.	Qty	Description
1	24185209	1	PANEL, MOUNTING STARTER	17	22085864	1	SUPPRESSOR, ARC
2	47499941	3	TERMINAL, 41A	18	39242367	1	PLUG, 2 POSITION
3	24469710	2	CONTACTOR, AF26, 0 AUX CONT, ABB AF26-30-00-12	19	39186101	1	PLUG, 4 POSITION
4	24468241	2	CONTACTOR, 9A AF09-30-10-12 (48-130V AC)	20	22076699	1	PLUG, 5 POSITION
5	24468308	2	BLOCK, AUX. CONTACT	21	39186093	1	PLUG, 6 POSITION
6	47499662001	1	INTERLOCK, MECHANICAL	22	93469625	20	TERMINAL, 35A
7	24592586	1	BREAKER, MOTOR	23	54612940	1	TERMINAL, END PLATE
8	23712301	1	BLOCK, AUX CONTACT	24	89205397	2	TERMINAL, END STOP
9	39480504	1	HOLDER, FUSE 2 POLE	25	32342123	2	LUG, GROUNDING
10	22269682	2	FUSE, TIME DELAY	26	32342115	2	BUS, ALUMINIUM GROUNDING
11	47499666	1	BREAKER, MINI-CIR 1.6A	27	89295091	1	KEY, DOOR LOCK
12	23770514	1	BREAKER, MINI-CIRCUIT 3A	28	23635816	3	GLAND, CABLE
13	47526206001	1	TRANSFORMER, 125VA 220/380/440-50VA24V/75VA110V	29	22376776	1	GLAND, CABLE
14	23990716	1	STOP, EMERGENCY	30	22501720	1	GLAND, CABLE
15	47499668	1	DECAL, FACIA XE-50	31	39173927	1	GLAND, CABLE
16	47499669	1	BASE, RELAY SCHRACK	32	23745995	3	PLUG
				33	23712343	1	PLUG,
				34	47526212001	1	RELAY,O/L

BACKPANEL 7.5HP, 575V, 50/60HZ, S/D, XE-50M



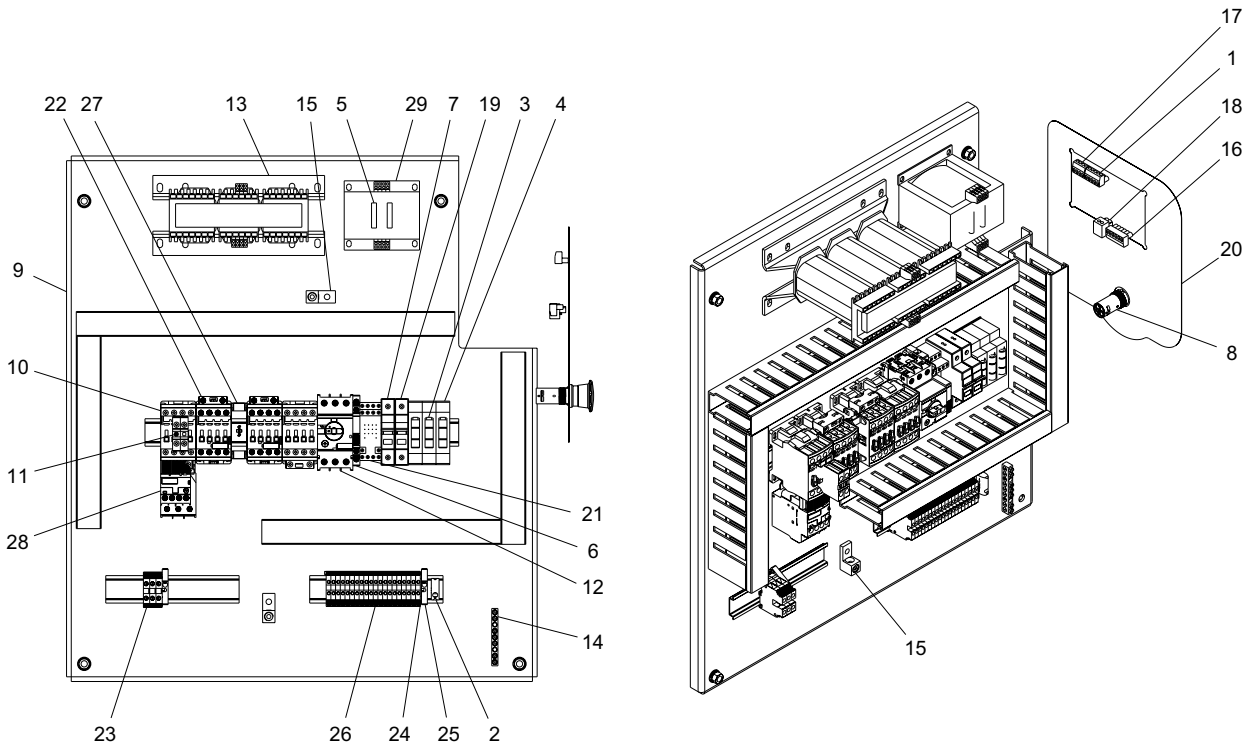
Item	Part No.	Qty	Description	Item	Part No.	Qty	Description
1	22076699	1	PLUG, 5 POSITION	16	39186093	1	PLUG, 6 POSITION
2	22085864	1	SUPPRESSOR, ARC	17	39186101	1	PLUG, 4 POSITION
3	22269682	3	FUSE, TIME DELAY	18	39242367	1	PLUG, 2 POSITION
4	22344253	1	HOLDER, 3-POLE FUSE	19	47499666	1	BREAKER, MINI-CIR 1.6A
5	23238066	2	FUSE, T - 0.5A, 6.3X32 mm	20	47499668	1	DECAL, FACIA XE-50
6	23712301	1	BLOCK, AUX CONTACT	21	47499669	1	BASE, RELAY SCHRACK
7	23770514	1	BREAKER, MINI-CIRCUIT 3A	22	47499683	2	CONTACTOR
8	23990716	1	STOP, EMERGENCY	23	47499941	3	TERMINAL, 41A
9	24185209	1	PANEL, MOUNTING STARTER	24	54612940	1	TERMINAL, END PLATE
10	24468241	2	CONTACTOR, 9A	25	89205397	2	TERMINAL, END STOP
11	24468308	2	BLOCK, AUX. CONTACT	26	93469625	20	TERMINAL, 35A M4/6 GREY
12	24592586	1	BREAKER, MOTOR	27	47499662001	1	INTERLOCK, MECHANICAL
13	24592594	1	TRANSFORMER, 3PH 400VA 575/230V	28	47506172001	1	RELAY, O/L
14	32342115	1	BUS, ALUMINIUM GROUNDING	29	47518259001	1	TRANSFORMER, 208/230/460/575V WITH FUSE BLOCKS
15	32342123	2	LUG, GROUNDING				

BACKPANEL 7.5HP, 575V, 50/60HZ, S/D, XE-50M



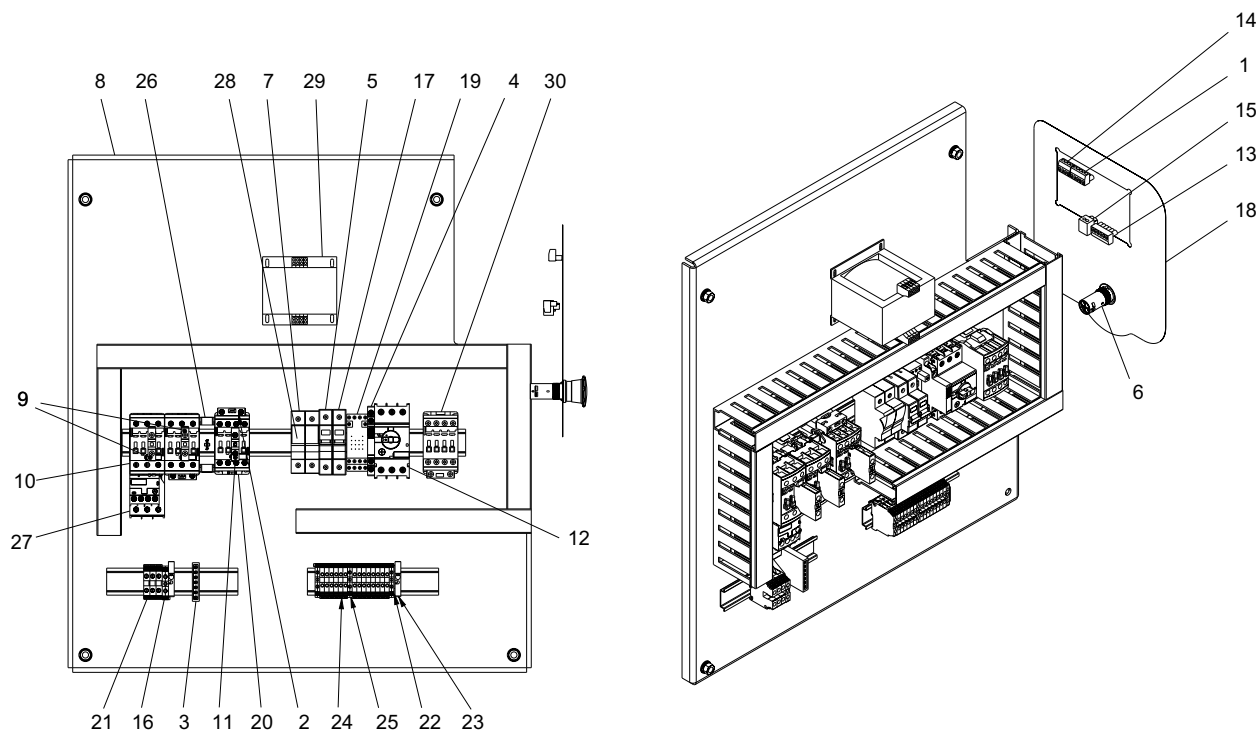
Item	Part No.	Qty	Description	Item	Part No.	Qty	Description
1	22076699	1	PLUG, 5 POSITION	16	39186093	1	PLUG, 6 POSITION
2	22085864	1	SUPPRESSOR, ARC	17	39186101	1	PLUG, 4 POSITION
3	22269682	3	FUSE, TIME DELAY	18	39242367	1	PLUG, 2 POSITION
4	22344253	1	HOLDER, 3-POLE FUSE	19	47499666	1	BREAKER, MINI-CIR 1.6A
5	23238066	2	FUSE, T - 0.5A	20	47499668	1	DECAL, FACIA XE-50
6	23712301	1	BLOCK, AUX CONTACT	21	47499669	1	BASE, RELAY SCHRACK
7	23770514	1	BREAKER, MINI-CIRCUIT 3A	22	47499683	2	CONTACTOR
8	23990716	1	STOP, EMERGENCY	23	47499941	3	TERMINAL, 41A
9	24185209	1	PANEL, MOUNTING STARTER	24	54612940	1	TERMINAL, END PLATE
10	24468241	2	CONTACTOR, 9A	25	89205397	2	TERMINAL, END STOP
11	24468308	2	BLOCK, AUX. CONTACT	26	93469625	20	TERMINAL, 35A M4/6 GREY
12	24592586	1	BREAKER, MOTOR	27	47499662001	1	INTERLOCK, MECHANICAL
13	24592594	1	TRANSFORMER, 3PH 400VA 575/230V	28	47506172001	1	RELAY, O/L
14	32342115	1	BUS, ALUMINIUM GROUNDING	29	47518259001	1	TRANSFORMER, 208/230/460/575V WITH FUSE BLOCKS
15	32342123	2	LUG, GROUNDING				

BACKPANEL 7.5HP, 575V, 50/60HZ, S/D, XE-50M



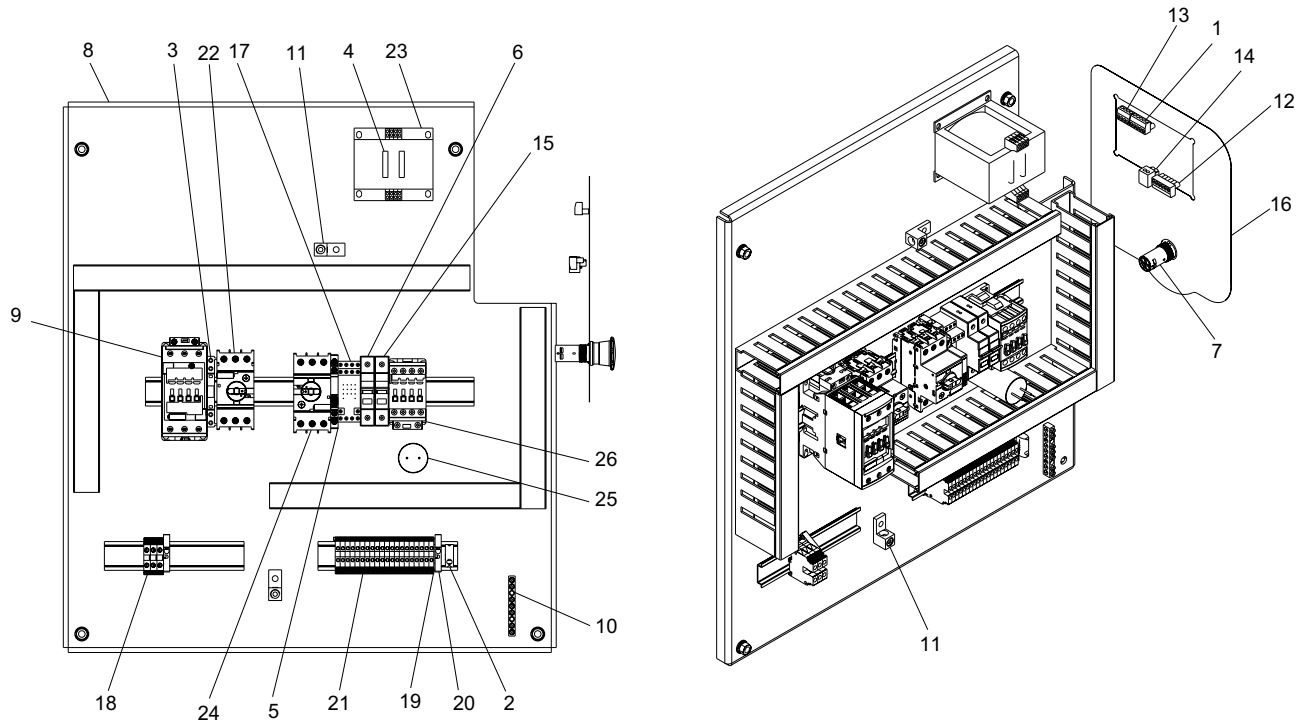
Item	Part No.	Qty	Description	Item	Part No.	Qty	Description
1	22076699	1	PLUG, 5 POSITION	16	39186093	1	PLUG, 6 POSITION
2	22085864	1	SUPPRESSOR, ARC	17	39186101	1	PLUG, 4 POSITION
3	22269682	3	FUSE, TIME DELAY	18	39242367	1	PLUG, 2 POSITION
4	22344253	1	HOLDER, 3-POLE FUSE	19	47499666	1	BREAKER, MINI-CIR 1.6A
5	23238066	2	FUSE, T - 0.5A	20	47499668	1	DECAL, FACIA XE-50
6	23712301	1	BLOCK, AUX CONTACT	21	47499669	1	BASE, RELAY SCHRACK
7	23770514	1	BREAKER, MINI-CIRCUIT 3A	22	47499683	2	CONTACTOR
8	23990716	1	STOP, EMERGENCY	23	47499941	3	TERMINAL, 41A
9	24185209	1	PANEL, MOUNTING STARTER	24	54612940	1	TERMINAL, END PLATE
10	24468241	2	CONTACTOR, 9A	25	89205397	2	TERMINAL, END STOP
11	24468308	2	BLOCK, AUX. CONTACT	26	93469625	20	TERMINAL, 35A M4/6 GREY
12	24592586	1	BREAKER, MOTOR	27	47499662001	1	INTERLOCK, MECHANICAL
13	24592594	1	TRANSFORMER, 3PH 400VA 575/230V	28	47506172001	1	RELAY, O/L
14	32342115	1	BUS, ALUMINIUM GROUNDING	29	47518259001	1	TRANSFORMER, 208/230/460/575V WITH FUSE BLOCKS
15	32342123	2	LUG, GROUNDING				

BACKPANEL 7.5HP, 575V, 50/60HZ, S/D, XE-50M



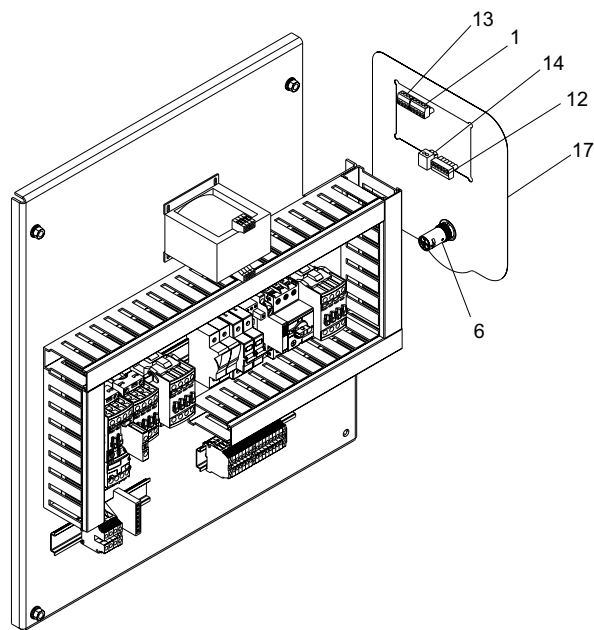
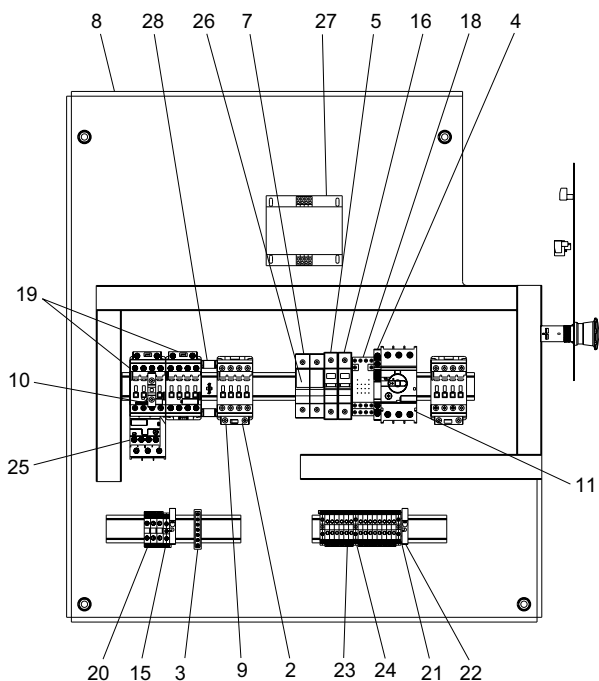
Item	Part No.	Qty	Description	Item	Part No.	Qty	Description
1	22076699	1	PLUG, 5 POSITION	17	47499666	1	BREAKER, MINI-CIR 1.6A
2	22085864	1	SUPPRESSOR, ARC	18	47499668	1	DECAL, FACIA XE-50
3	23526478	1	BUS, GROUNDING	19	47499669	1	BASE, RELAY SCHRACK
4	23712301	1	BLOCK, AUX CONTACT	20	47499683	1	CONTACTOR
5	23770514	1	BREAKER, MINI-CIRCUIT 3A	21	47499941	3	TERMINAL, 41A
6	23990716	1	STOP, EMERGENCY	22	54612940	1	TERMINAL, END PLATE
7	24141962	1	HOLDER, FUSE 2-POLE	23	89205397	2	TERMINAL, END STOP
8	24185209	1	PANEL, MOUNTING STARTER	24	93469625	14	TERMINAL, 35A
9	24468308	2	BLOCK, AUX. CONTACT	25	93469633	3	TERMINAL, EARTH
10	24469710	2	CONTACTOR	26	47499662001	1	INTERLOCK, MECHANICAL
11	24474116	1	CONTACT, AUX	27	47505664001	1	RELAY, O/L
12	24592586	1	BREAKER, MOTOR	28	47521061001	2	FUSE, 1A
13	39186093	1	PLUG, 6 POSITION	29	47521062001	1	TRANSFORMER, 125VA 220/230V-50VA24V/75VA110V
14	39186101	1	PLUG, 4 POSITION	30	24468241	1	CONTACTOR, 9A
15	39242367	1	PLUG, 2 POSITION				
16	47499661	1	TERMINAL, M6/8P G/Y GROUND				

BACKPANEL 5/7.5HP, 1PH 208/230V60HZ, DOL, XE-50M



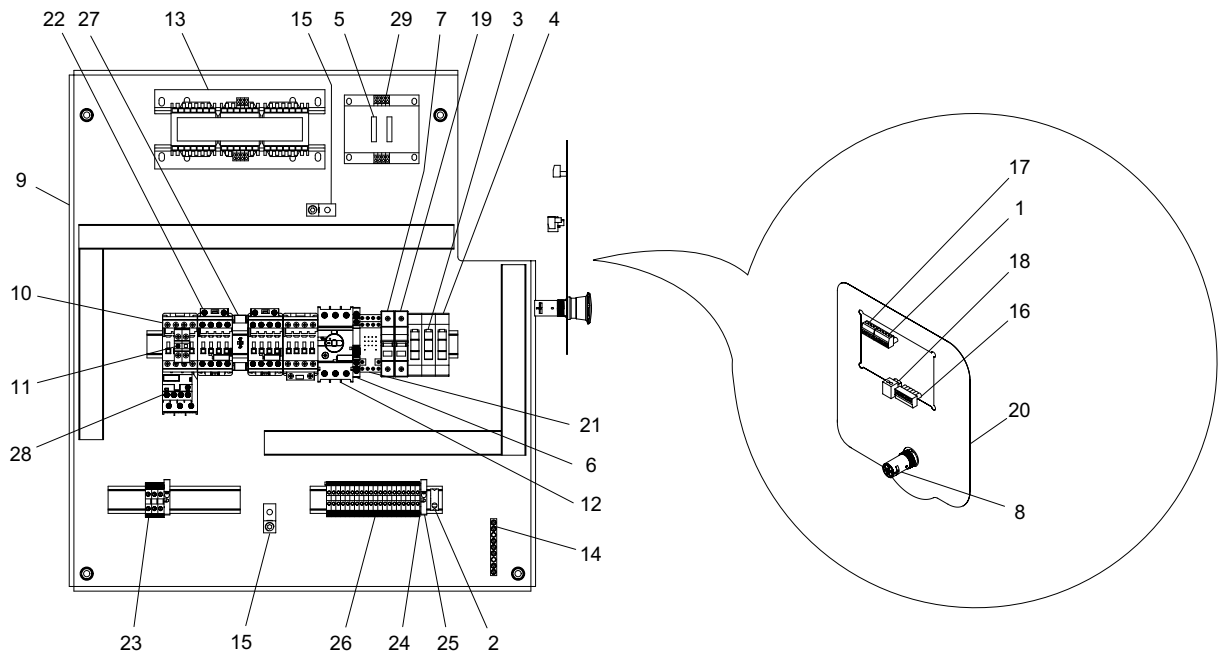
Item	Part No.	Qty	Description	Item	Part No.	Qty	Description
1	22076699	1	PLUG, 5 POSITION	15	47499666	1	BREAKER, MINI-CIR 1.6A
2	22085864	1	SUPPRESSOR, ARC	16	47499668	1	DECAL, FACIA XE-50
3	22229108	1	CONTACT, AUXILIARY	17	47499669	1	BASE, RELAY SCHRACK
4	23639552	2	FUSE, 1A(T)	18	47499941	3	TERMINAL, 41A
5	23712301	1	BLOCK, AUX CONTACT	19	54612940	1	TERMINAL, END PLATE
6	23770514	1	BREAKER, MINI-CIRCUIT 3A	20	89205397	2	TERMINAL, END STOP
7	23990716	1	STOP, EMERGENCY	21	93469625	20	TERMINAL, 35A
8	24185209	1	PANEL, MOUNTING STARTER	22	47505663001	1	BREAKER, MOTOR
9	24738924	1	CONTACTOR, 52A	23	47518259001	1	TRANSFORMER, 208/230/460/575V WITH FUSE BLOCKS
10	32342115	1	BUS, ALUMINIUM GROUNDING	24	47518985001	1	BREAKER, MOTOR
11	32342123	2	LUG, GROUNDING	25	47518986001	1	CAPACITOR, FAN MOTOR
12	39186093	1	PLUG, 6 POSITION	26	24468241	1	CONTACTOR, 9A
13	39186101	1	PLUG, 4 POSITION				
14	39242367	1	PLUG, 2 POSITION				

BACKPANEL 5.5KW, 230V, 50/60HZ, S/D, XE-50M



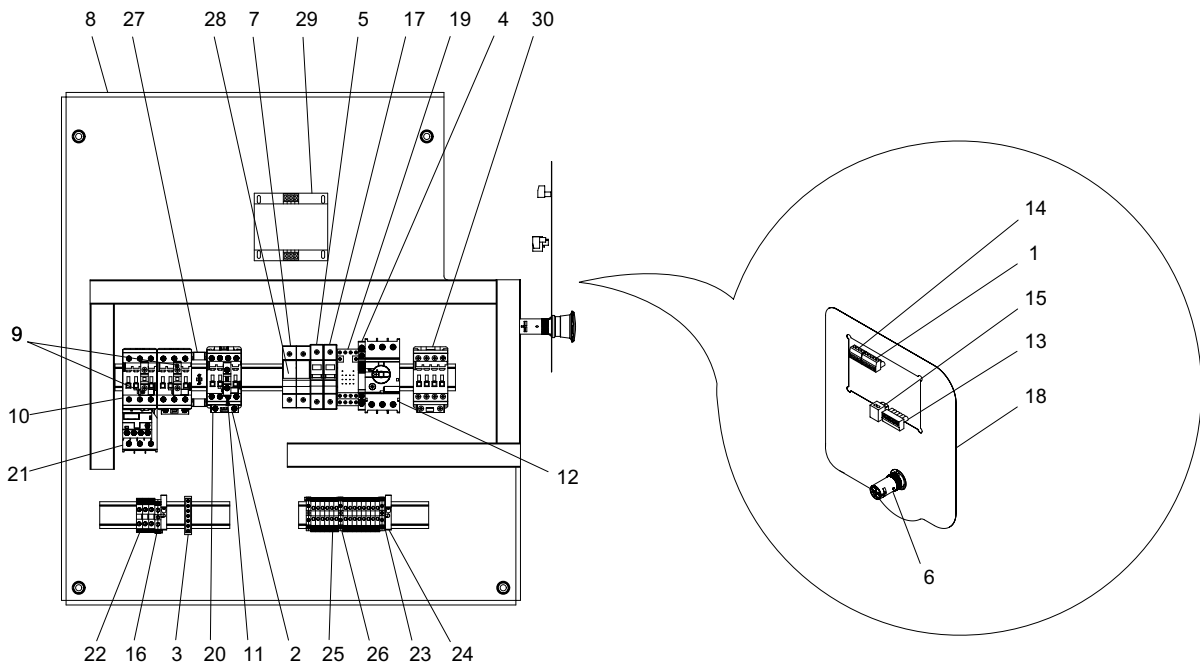
Item	Part No.	Qty	Description	Item	Part No.	Qty	Description
1	22076699	1	PLUG, 5 POSITION	16	47499666	1	BREAKER, MINI-CIR 1.6A
2	22085864	1	SUPPRESSOR, ARC	17	47499668	1	DECAL, FACIA XE-50
3	23526478	1	BUS, GROUNDING	18	47499669	1	BASE, RELAY SCHRACK
4	23712301	1	BLOCK, AUX CONTACT	19	47499683	2	CONTACTOR
5	23770514	1	BREAKER, MINI-CIRCUIT 3A	20	47499941	3	TERMINAL, 41A
6	23990716	1	STOP, EMERGENCY	21	54612940	1	TERMINAL, END PLATE
7	24141962	1	HOLDER, FUSE	22	89205397	2	TERMINAL, END STOP
8	24185209	1	PANEL, MOUNTING STARTER	23	93469625	14	TERMINAL, 35A
9	24468241	2	CONTACTOR, 9A	24	93469633	3	TERMINAL, EARTH
10	24468308	1	BLOCK, AUX. CONTACT	25	47499662001	1	INTERLOCK, MECHANICAL
11	24592586	1	BREAKER, MOTOR	26	47504390001	1	RELAY, O/L
12	39186093	1	PLUG, 6 POSITION	27	47521061001	2	FUSE, 1A
13	39186101	1	PLUG, 4 POSITION	28	47521062001	1	TRANSFORMER, 125VA 220/230V-50VA24V/75VA110V
14	39242367	1	PLUG, 2 POSITION				
15	47499661	1	TERMINAL				

BACKPANEL 10HP, 575V, 50/60HZ, S/D, XE-50M



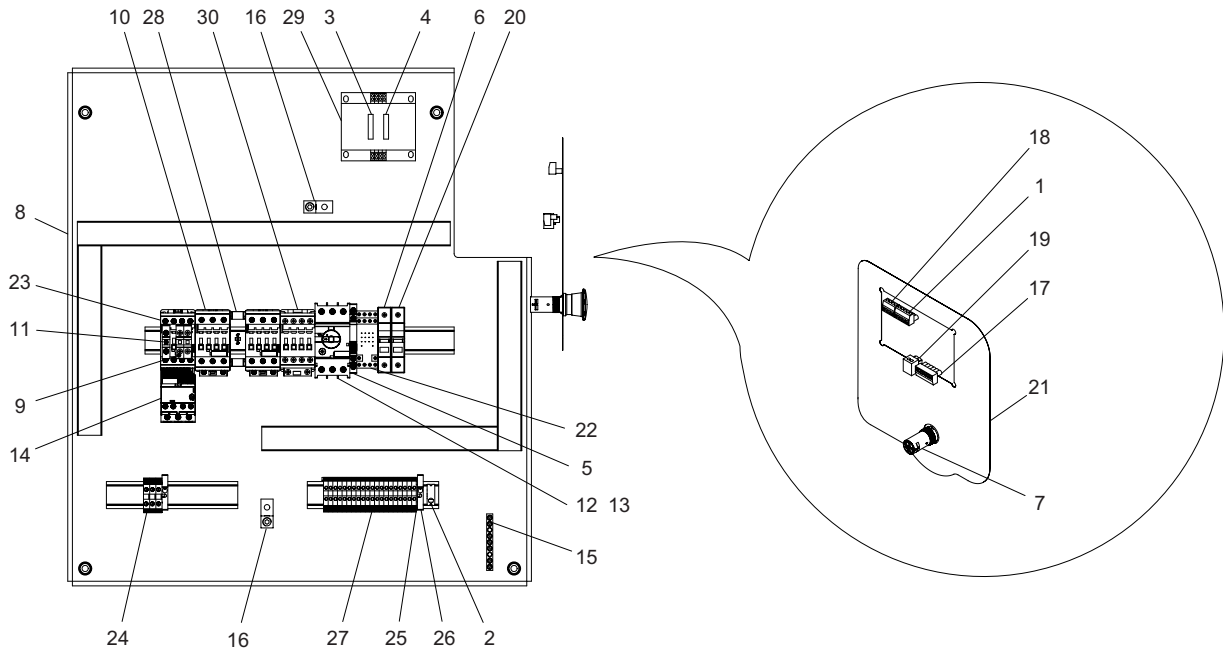
Item	Part No.	Qty	Description	Item	Part No.	Qty	Description
1	22076699	1	PLUG, 5 POSITION	16	39186093	1	PLUG, 6 POSITION
2	22085864	1	SUPPRESSOR, ARC	17	39186101	1	PLUG, 4 POSITION
3	22269682	3	FUSE, TIME DELAY	18	39242367	1	PLUG, 2 POSITION
4	22344253	1	HOLDER, 3-POLE FUSE	19	47499666	1	BREAKER, MINI-CIR 1.6A
5	23238066	2	FUSE, T - 0.5A	20	47499668	1	DECAL, FACIA XE-50
6	23712301	1	BLOCK, AUX CONTACT	21	47499669	1	BASE, RELAY SCHRACK
7	23770514	1	BREAKER, MINI-CIRCUIT 3A	22	47499683	2	CONTACTOR
8	23990716	1	STOP, EMERGENCY	23	47499941	3	TERMINAL, 41A
9	24185209	1	PANEL, MOUNTING STARTER	24	54612940	1	TERMINAL, END PLATE
10	24468241	2	CONTACTOR, 9A	25	89205397	2	TERMINAL, END STOP
11	24468308	2	BLOCK, AUX. CONTACT	26	93469625	20	TERMINAL, 35A
12	24592586	1	BREAKER, MOTOR	27	47499662001	1	INTERLOCK, MECHANICAL
13	24592594	1	TRANSFORMER, 3PH 400VA 575/230V	28	47499663001	1	RELAY, O/L
14	32342115	1	BUS, ALUMINIUM GROUNDING	29	47518259001	1	TRANSFORMER, 208/230/460/575V WITH FUSE BLOCKS
15	32342123	2	LUG, GROUNDING				

BACKPANEL 7.5KW, 230V, 50/60HZ, S/D, XE-50M



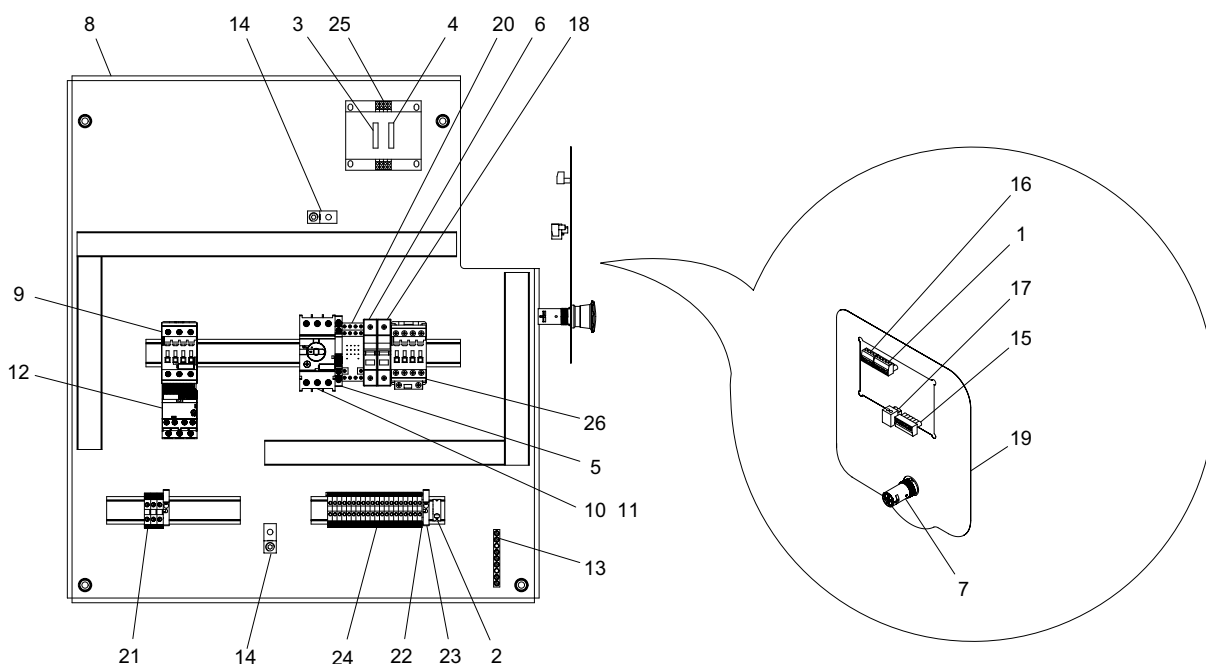
Item	Part No.	Qty	Description	Item	Part No.	Qty	Description
1	22076699	1	PLUG, 5 POSITION	17	47499666	1	BREAKER, MINI-CIR 1.6A
2	22085864	1	SUPPRESSOR, ARC	18	47499668	1	DECAL, FACIA XE-50
3	23526478	1	BUS, GROUNDING	19	47499669	1	BASE, RELAY SCHRACK
4	23712301	1	BLOCK, AUX CONTACT	20	47499680	1	CONTACTOR
5	23770514	1	BREAKER, MINI-CIRCUIT 3A	21	47499684	1	RELAY, O/L
6	23990716	1	STOP, EMERGENCY	22	47499941	3	TERMINAL, 41A
7	24141962	1	HOLDER, FUSE	23	54612940	1	TERMINAL, END PLATE
8	24185209	1	PANEL, MOUNTING STARTER	24	89205397	2	TERMINAL, END STOP
9	24468308	2	BLOCK, AUX. CONTACT	25	93469625	14	TERMINAL, 35A
10	24469710	2	CONTACTOR	26	93469633	3	TERMINAL, EARTH
11	24474116	1	CONTACT, AUX	27	47499662001	1	INTERLOCK, MECHANICAL
12	24592586	1	BREAKER, MOTOR	28	47521061001	2	FUSE, 1A
13	39186093	1	PLUG, 6 POSITION	29	47521062001	1	TRANSFORMER, 125VA 220/230V-50VA24V/75VA110V
14	39186101	1	PLUG, 4 POSITION	30	24468241	1	CONTACTOR, 9A
15	39242367	1	PLUG, 2 POSITION				
16	47499661	1	TERMINAL				

BACKPANEL 10HP, 208-230/460V, 50/60HZ, S/D, XE-50M



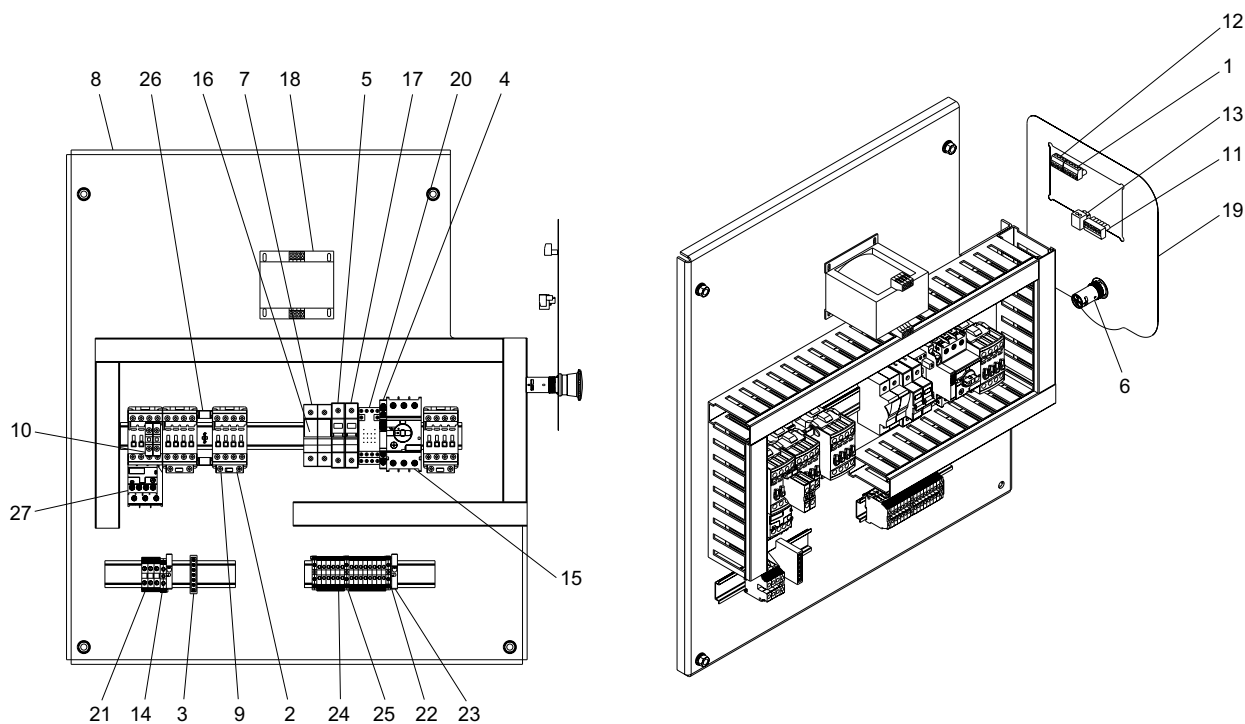
Item	Part No.	Qty	Description	Item	Part No.	Qty	Description
1	22076699	1	PLUG, 5 POSITION	17	39186093	1	PLUG, 6 POSITION
2	22085864	1	SUPPRESSOR, ARC	18	39186101	1	PLUG, 4 POSITION
3	23238066	2	FUSE, T - 0.5A	19	39242367	1	PLUG, 2 POSITION
4	23639552	2	FUSE, 1A(T)	20	47499666	1	BREAKER, MINI-CIR 1.6A
5	23712301	1	BLOCK, AUX CONTACT	21	47499668	1	DECAL, FACIA XE-50
6	23770514	1	BREAKER, MINI-CIRCUIT 3A	22	47499669	1	BASE, RELAY SCHRACK
7	23990716	1	STOP, EMERGENCY	23	47499680	1	CONTACTOR
8	24185209	1	PANEL, MOUNTING STARTER	24	47499941	3	TERMINAL, 41A
9	24468308	2	BLOCK, AUX. CONTACT	25	54612940	1	TERMINAL, END PLATE
10	24469710	2	CONTACTOR	26	89205397	2	TERMINAL, END STOP
11	24474116	1	CONTACT, AUX	27	93469625	20	TERMINAL, 35A
12	24592560	1	BREAKER, MOTOR	28	47499662001	1	INTERLOCK, MECHANICAL
13	24592586	1	BREAKER, MOTOR	29	47518259001	1	TRANSFORMER, 208/230/460/575V WITH FUSE BLOCKS
14	24730178	1	RELAY, OVERLOAD	30	24468241	1	CONTACTOR, 9A
15	32342115	1	BUS, ALUMINIUM GROUNDING				
16	32342123	2	LUG, GROUNDING				

BACKPANEL 5HP, 208-230/460V, 50/60HZ, DOL, XE-50M



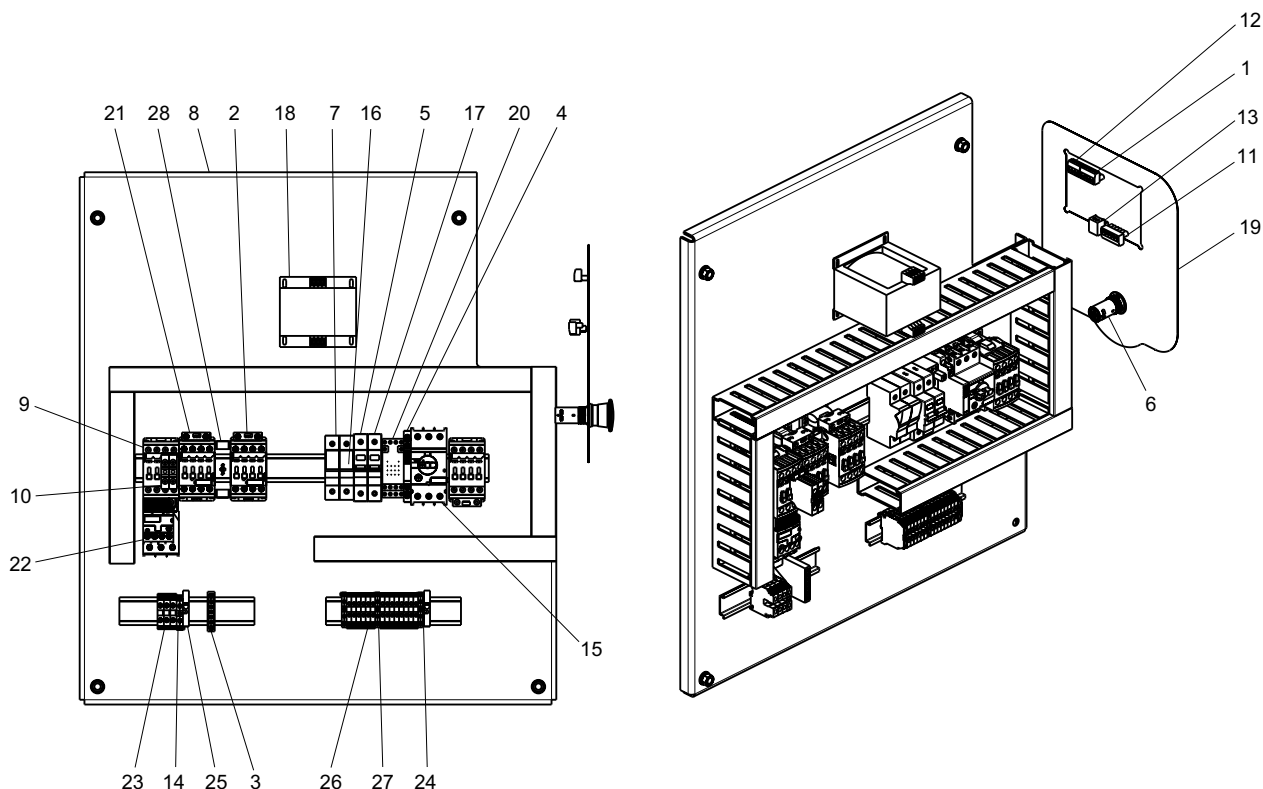
Item	Part No.	Qty	Description	Item	Part No.	Qty	Description
1	22076699	1	PLUG, 5 POSITION	15	39186093	1	PLUG, 6 POSITION
2	22085864	1	SUPPRESSOR, ARC	16	39186101	1	PLUG, 4 POSITION
3	23238066	2	FUSE, T - 0.5A	17	39242367	1	PLUG, 2 POSITION
4	23639552	2	FUSE, 1A(T)	18	47499666	1	BREAKER, MINI-CIR 1.6A
5	23712301	1	BLOCK, AUX CONTACT	19	47499668	1	DECAL, FACIA XE-50
6	23770514	1	BREAKER, MINI-CIRCUIT 3A	20	47499669	1	BASE, RELAY SCHRACK
7	23990716	1	STOP, EMERGENCY	21	47499941	3	TERMINAL, 41A
8	24185209	1	PANEL, MOUNTING STARTER	22	54612940	1	TERMINAL, END PLATE
9	24469710	1	CONTACTOR	23	89205397	2	TERMINAL, END STOP
10	24592560	1	BREAKER, MOTOR	24	93469625	20	TERMINAL, 35A
11	24592586	1	BREAKER, MOTOR	25	47518259001	1	TRANSFORMER, 208/230/460/575V WITH FUSE BLOCKS
12	24730178	1	RELAY, OVERLOAD	26	24468241	1	CONTACTOR, 9A
13	32342115	1	BUS, ALUMINIUM GROUNDING				
14	32342123	2	LUG, GROUNDING				

BACKPANEL 5.5KW, 400V, 50/60HZ, S/D, XE-50M



Item	Part No.	Qty	Description	Item	Part No.	Qty	Description
1	22076699	1	PLUG, 5 POSITION	15	47499664	1	BREAKER, MOTOR
2	22085864	1	SUPPRESSOR, ARC	16	47499665	2	FUSE, 0.5A
3	23526478	1	BUS, GROUNDING	17	47499666	1	BREAKER, MINI-CIR 1.6A
4	23712301	1	BLOCK, AUX CONTACT	18	47499667	1	TRANSFORMER, 125VA 380/400/415V-50VA24V/75VA110V
5	23770514	1	BREAKER, MINI-CIRCUIT 3A	19	47499668	1	DECAL, FACIA XE-50
6	23990716	1	STOP, EMERGENCY	20	47499669	1	BASE, RELAY SCHRACK
7	24141962	1	HOLDER, FUSE 2-POLE	21	47499941	3	TERMINAL, 41A
8	24185209	1	PANEL, MOUNTING STARTER	22	54612940	1	TERMINAL, END PLATE
9	24468241	4	CONTACTOR, 9A	23	89205397	2	TERMINAL, END STOP
10	24468308	2	BLOCK, AUX. CONTACT	24	93469625	14	TERMINAL, 35A
11	39186093	1	PLUG, 6 POSITION	25	93469633	3	TERMINAL, EARTH
12	39186101	1	PLUG, 4 POSITION	26	47499662001	1	INTERLOCK, MECHANICAL
13	39242367	1	PLUG, 2 POSITION	27	47499663001	1	RELAY, O/L
14	47499661	1	TERMINAL				

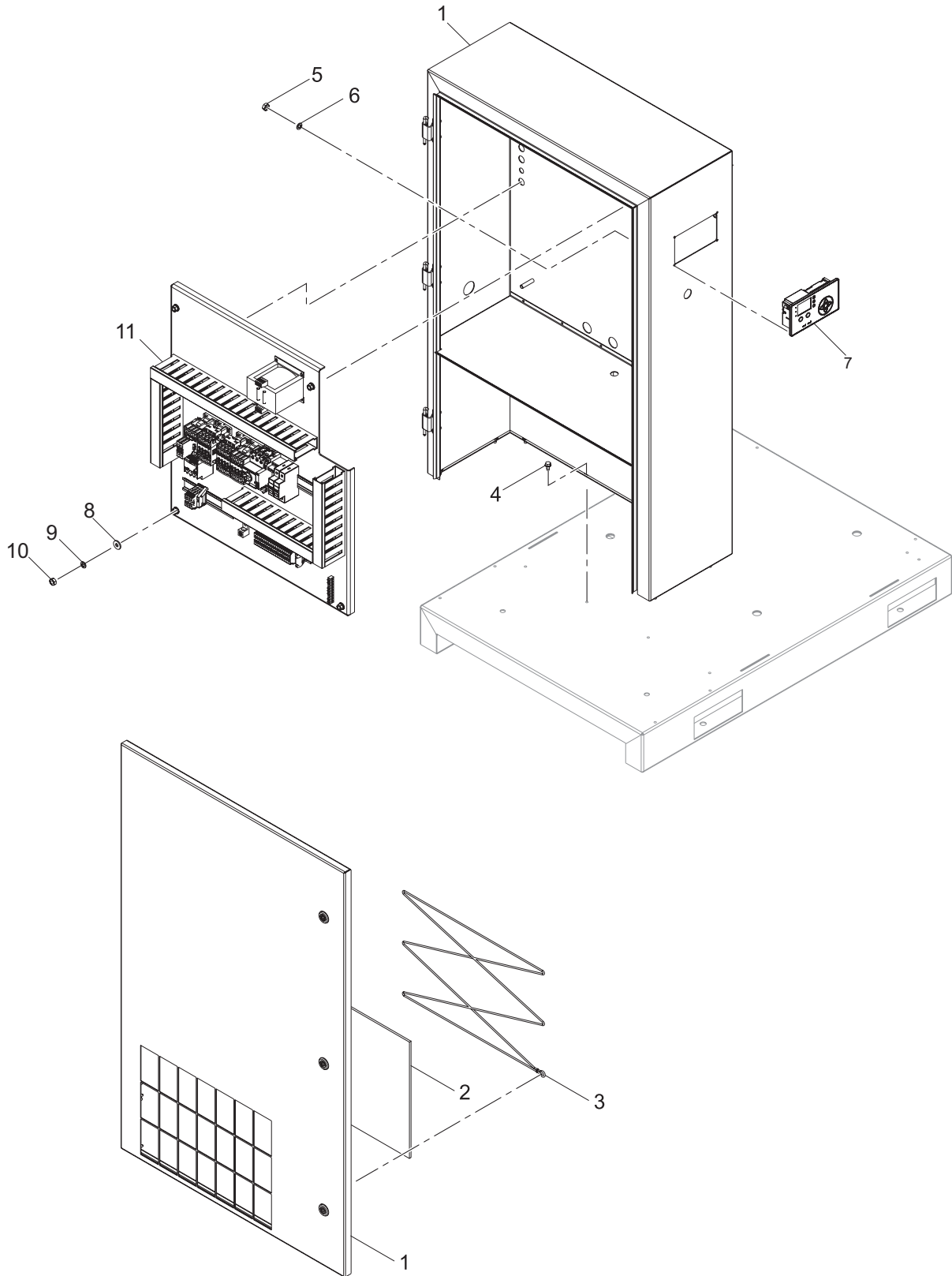
BACKPANEL 11KW, 400V, 50/60HZ, S/D, XE-50M



Item	Part No.	Qty	Description	Item	Part No.	Qty	Description
1	22076699	1	PLUG, 5 POSITION	16	47499665	2	FUSE, 0.5A
2	22085864	1	SUPPRESSOR, ARC	17	47499666	1	BREAKER, MINI-CIR 1.6A
3	23526478	1	BUS, GROUNDING	18	47499667	1	TRANSFORMER, 125VA 380/400/415V -50VA24V/75VA110V
4	23712301	1	BLOCK, AUX CONTACT	19	47499668	1	DECAL, FACIA XE-50
5	23770514	1	BREAKER, MINI-CIRCUIT 3A	20	47499669	1	BASE, RELAY SCHRACK
6	23990716	1	STOP, EMERGENCY	21	47499683	2	CONTACTOR
7	24141962	1	HOLDER, FUSE	22	47499684	1	RELAY, O/L
8	24185209	1	PANEL, MOUNTING STARTER	23	47499941	3	TERMINAL, 41A
9	24468241	2	CONTACTOR, 9A	24	54612940	1	TERMINAL, END PLATE
10	24468308	2	BLOCK, AUX. CONTACT	25	89205397	2	TERMINAL, END STOP
11	39186093	1	PLUG, 6 POSITION	26	93469625	14	TERMINAL, 35A
12	39186101	1	PLUG, 4 POSITION	27	93469633	3	TERMINAL, EARTH
13	39242367	1	PLUG, 2 POSITION	28	47499662001	1	INTERLOCK, MECHANICAL
14	47499661	1	TERMINAL				
15	47499664	1	BREAKER, MOTOR				

BLANK PAGE

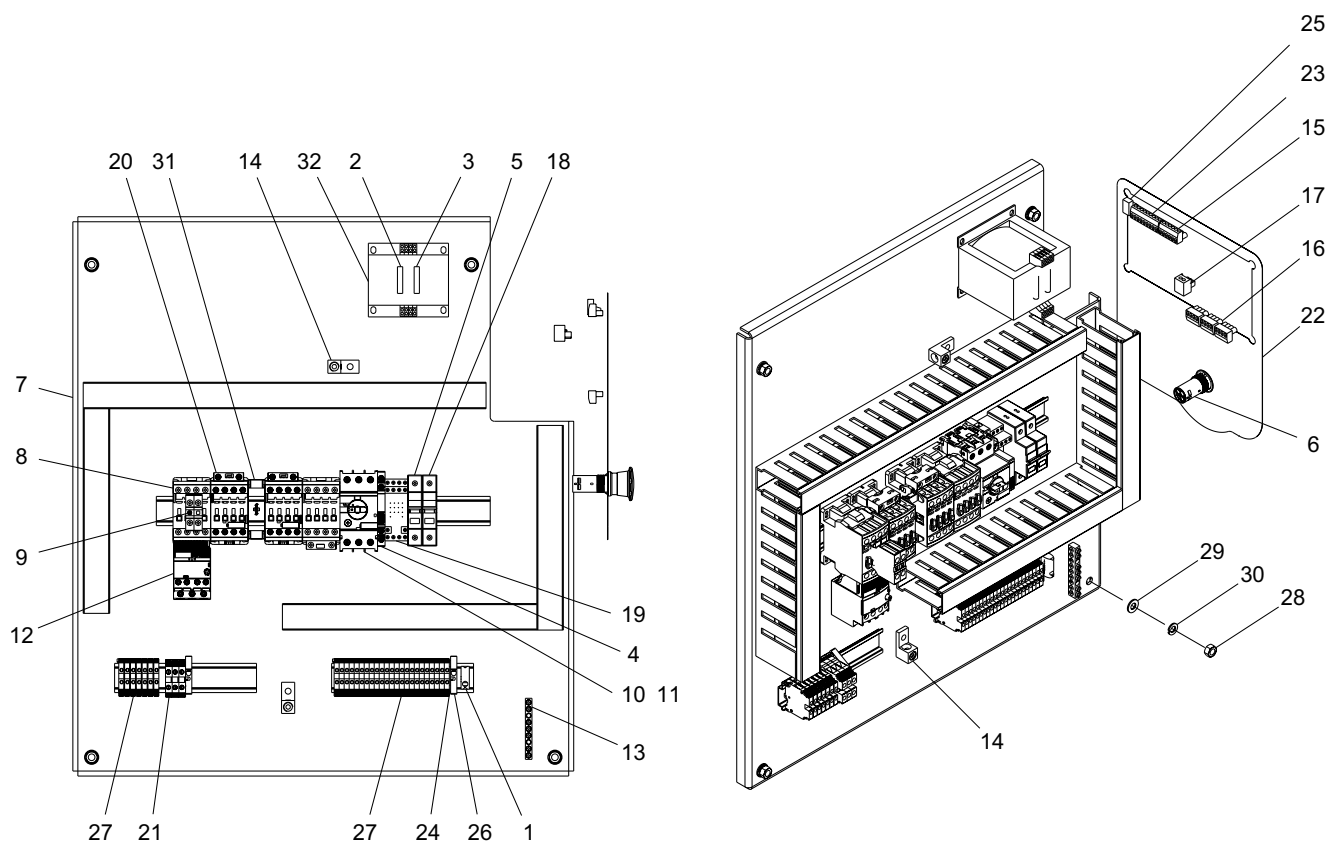
STARTER (XE-70M) ASSEMBLY DRAWING



STARTER (XE-70M) PARTS LIST

Item	Part No.	Qty	Description	Item	Part No.	Qty	Description
1	24358947	1	STARTER BOX, FS (Xe-70)	11	47512533001	1	BACKPANEL 5.5KW, 400V, 50/60Hz, VSD, Xe-70M
	47498683	1	STARTER BOX, VSD (Xe-70)		47526214001	1	BACKPANEL 7.5Hp, 380/440V60Hz, VSD, Xe-70M
2	24286676	1	PAD, PRE-FILTER		47512539001	1	BACKPANEL 11KW, 400V, 50/60Hz, VSD, Xe-70M
3	24287625	1	CORD, BLACK ELASTIC		47504380001	1	BACKPANEL 15Hp, 208/230V60Hz, VSD, Xe-70M
4	92368687	8	SCREW M6x1x12		47499696001	1	BACKPANEL 11KW, 400V, 50/60Hz, VSD, Xe-70M
5	92340447	4	WASHER, LOCK		47513898001	1	BACKPANEL 7.5Hp 208V60Hz, 7.5/10Hp 230V60Hz VSD Xe-70M
7	24236051	1	CONTROLLER, Xe-70M R4-37 VARIABLE SPEED WITH ECO		47526213001	1	BACKPANEL 7.5/10Hp 220V60Hz VSD Xe-70M
	24114050	1	CONTROLLER, Xe-70M R4-37 FIXED SPEED WITH ECO		47526215001	1	BACKPANEL 10/15Hp, 380/440V60Hz, VSD, Xe-70M
	24114068	1	CONTROLLER, Xe-70M R4-37 FIXED SPEED		47518261001	1	BACKPANEL 10Hp, 208V60Hz, VSD, Xe-70M
	24236085	1	CONTROLLER, Xe-70M R4-37 VARIABLE SPEED		47512536001	1	BACKPANEL 7.5KW, 400V, 50/60Hz, VSD, Xe-70M
8	96704671	4	WASHER, PLAIN		47499688001	1	BACKPANEL 5.5KW, 400V, 50/60Hz, VSD, Xe-70M
9	96741467	4	WASHER, LOCK		47526216001	1	BACKPANEL 15Hp, 220V60Hz, VSD, Xe-70M
10	96701370	4	NUT		47518262001	1	BACKPANEL 7.5Hp, 460V60Hz, VSD, Xe-70M
11	47519040001	1	BACKPANEL 7.5Hp, 208-230/460V, 50/60Hz, S/D, Xe-70M		47499695001	1	BACKPANEL 7.5KW, 400V, 50/60Hz, VSD, Xe-70M
	47519070001	1	BACKPANEL 15Hp, 575V 50/60Hz, S/D, Xe-70M		47504388001	1	BACKPANEL 10/15Hp, 460V60Hz, VSD, Xe-70M
	47521082001	1	BACKPANEL 7.5KW, 230V, 50/60Hz, S/D, Xe-70M		47504397001	1	BACKPANEL 10/15Hp, 575V60Hz, VSD, Xe-70M
	47521084001	1	BACKPANEL 11KW, 230V, 50/60Hz, S/D, Xe-70M		47518263001	1	BACKPANEL 7.5Hp, 575V60Hz, VSD, Xe-70M
	47499685001	1	BACKPANEL 5.5KW, 400V, 50/60Hz, S/D, Xe-70M		47521094001	1	BACKPANEL 5.5KW, 230V, 50/60Hz, VSD RFI, Xe-70M
	47499686001	1	BACKPANEL 7.5KW, 400V, 50/60Hz, S/D, Xe-70M		47521096001	1	BACKPANEL 7.5KW, 230V, 50/60Hz, VSD RFI, Xe-70M
	47519043001	1	BACKPANEL 10Hp, 208-230/460V, 50/60Hz, S/D, Xe-70M		47521098001	1	BACKPANEL 11KW, 230V, 50/60Hz, VSD RFI, Xe-70M
	47519068001	1	BACKPANEL 10Hp, 575V 50/60Hz, S/D, Xe-70M				
	47519056001	1	BACKPANEL 7.5Hp, 575V 50/60Hz, S/D, Xe-70M				
	47519046001	1	BACKPANEL 15Hp, 208-230/460V, 50/60Hz, S/D, Xe-70M				
	47499687001	1	BACKPANEL 11KW, 400V, 50/60Hz, S/D, Xe-70M				

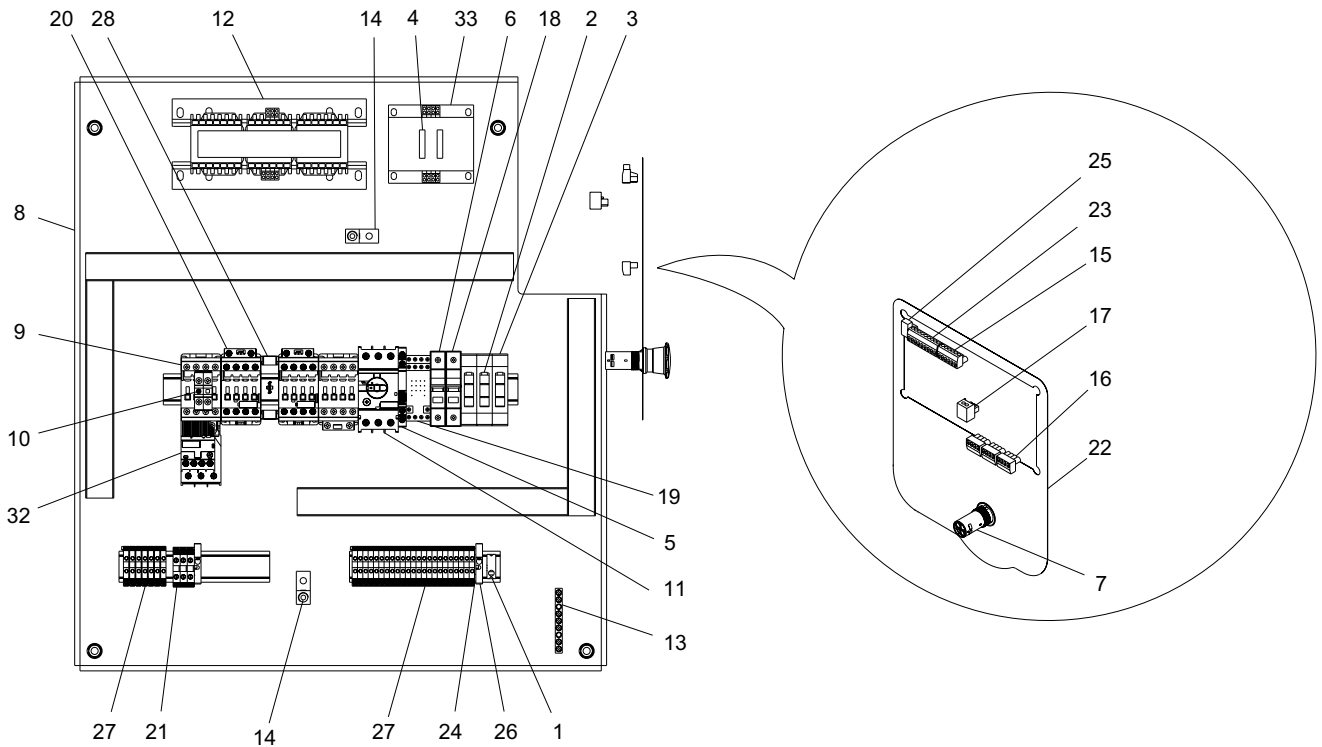
BACKPANEL 7.5HP, 208-230/460V, 50/60HZ, S/D, XE-70M



Item	Part No.	Qty	Description
1	22085864	1	SUPPRESSOR, ARC
2	23238066	2	FUSE, T - 0.5A, 6.3X32 MM
3	23639552	2	FUSE, 1A(T) 6.3X32MM 500V
4	23712301	1	BLOCK, AUX CONTACT 1N/O+1N/C ABB HK1-11
5	23770514	1	BREAKER, MINI-CIRCUIT 3A 1P S201-D3
6	23990716	1	STOP, EMERGENCY
7	24185209	1	PANEL, MOUNTING STARTER R4-11KW
8	24468241	2	CONTACTOR, 9A AF09-30-10-12 (48-130V AC)
9	24468308	2	BLOCK, AUX. CONTACT 1 N/C CA4-01
10	24592560	1	BREAKER, MOTOR 0.4-0.63A 3P MS116-0.63
11	24592586	1	BREAKER, MOTOR 0.63-1.0A 3P MS116-1.0
12	24730178	1	RELAY, OVERLOAD (ABB EF19-18.9)
13	32342115	1	BUS, ALUMINIUM GROUNDING (7 TAPS)
14	32342123	2	LUG, GROUNDING

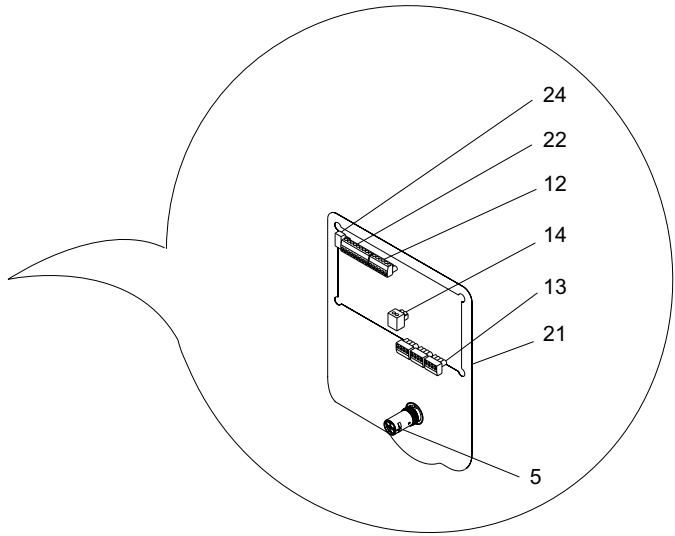
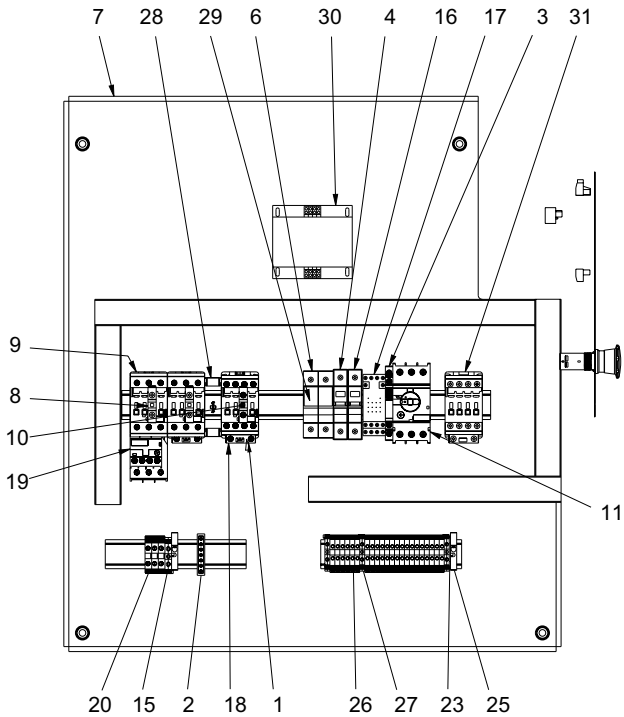
Item	Part No.	Qty	Description
15	39186093	1	PLUG, 6 POSITION
16	39186101	3	PLUG, 4 POSITION
17	39242367	1	PLUG, 2 POSITION
18	47499666	1	BREAKER, MINI-CIR 1.6A 1P S201-D1.6
19	47499669	1	BASE, RELAY SCHRACK
20	47499683	2	CONTACTOR, AF16-30-10-12, 48-130V AC/DC
21	47499941	3	TERMINAL, 41A M6/8 GREY
22	47500205	1	DECAL, FACIA XE-70
23	47500509	1	CONNECTOR, 5.08, 9W
24	54612940	1	TERMINAL, END PLATE - ENTRELEC 118 368.16
25	54729546	1	CONNECTOR, 2 WAY
26	89205397	2	TERMINAL, END STOP - ENTRELEC
27	93469625	30	TERMINAL, 35A M4/6 GREY - ENTRELEC 115116.07
28	47499662001	1	INTERLOCK, MECHANICAL (ABB VM4)
29	47518259001	1	TRANSFORMER, 208/230/460/575V WITH FUSE BLOCKS

BACKPANEL 15HP, 575V 50/60HZ, S/D, XE-70M



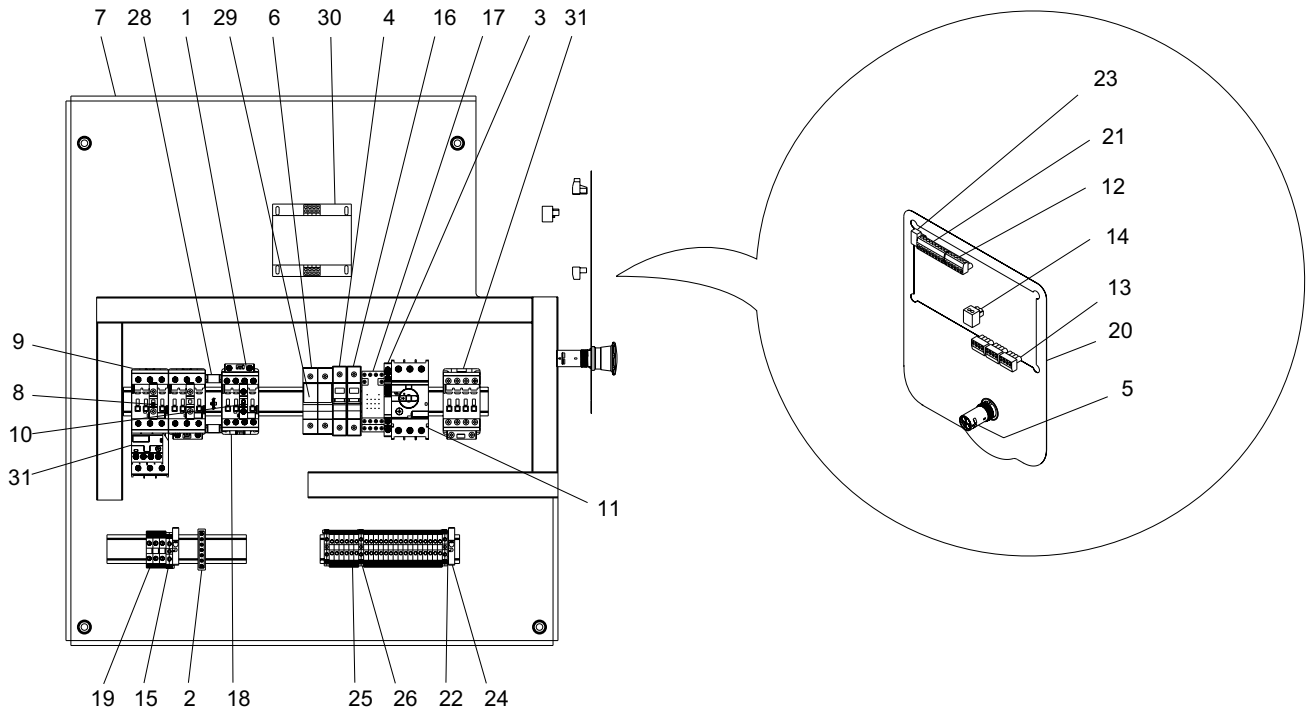
Item	Part No.	Qty	Description	Item	Part No.	Qty	Description
1	22085864	1	SUPPRESSOR, ARC	15	39186093	1	PLUG, 6 POSITION
2	22269682	3	FUSE, TIME DELAY, CLASS CC, 1A, 600V, 200KAIC	16	39186101	3	PLUG, 4 POSITION
3	22344253	1	HOLDER, 3-POLE FUSE (FINGER SAFE)	17	39242367	1	PLUG, 2 POSITION
4	23238066	2	FUSE, T - 0.5A, 6.3X32 MM	18	47499666	1	BREAKER, MINI-CIR 1.6A 1P S201-D1.6
5	23712301	1	BLOCK, AUX CONTACT 1N/O+1N/C ABB HK1-11	19	47499669	1	BASE, RELAY SCHRACK
6	23770514	1	BREAKER, MINI-CIRCUIT 3A 1P S201-D3	20	47499683	2	CONTACTOR, AF16-30-10-12, 48-130V AC/DC
7	23990716	1	STOP, EMERGENCY	21	47499941	3	TERMINAL, 41A M6/8 GREY
8	24185209	1	PANEL, MOUNTING STARTER R4-11KW	22	47500205	1	DECAL, FACIA XE-70
9	24468241	2	CONTACTOR, 9A AF09-30-10-12 (48-130V AC)	23	47500509	1	CONNECTOR, 5.08, 9W
10	24468308	2	BLOCK, AUX. CONTACT 1 N/C CA4-01	24	54612940	1	TERMINAL, END PLATE - ENTRELEC 118 368.16
11	24592586	1	BREAKER, MOTOR 0.63-1.0A 3P MS116-1.0	25	54729546	1	CONNECTOR, 2 WAY
12	24592594	1	TRANSFORMER, 3PH 400VA 575/230V	26	89205397	2	TERMINAL, END STOP - ENTRELEC
13	32342115	1	BUS, ALUMINIUM GROUNDING (7 TAPS)	27	93469625	30	TERMINAL, 35A M4/6 GREY - ENTRELEC 115116.07
14	32342123	2	LUG, GROUNDING	28	47499662001	1	INTERLOCK, MECHANICAL (ABB VM4)
				29	47499681001	1	RELAY, O/L 7.60-10A TF42-10
				30	47518259001	1	TRANSFORMER, 208/230/460/575V WITH FUSE BLOCKS

BACKPANEL 7.5KW, 230V, 50/60HZ, S/D, XE-70M



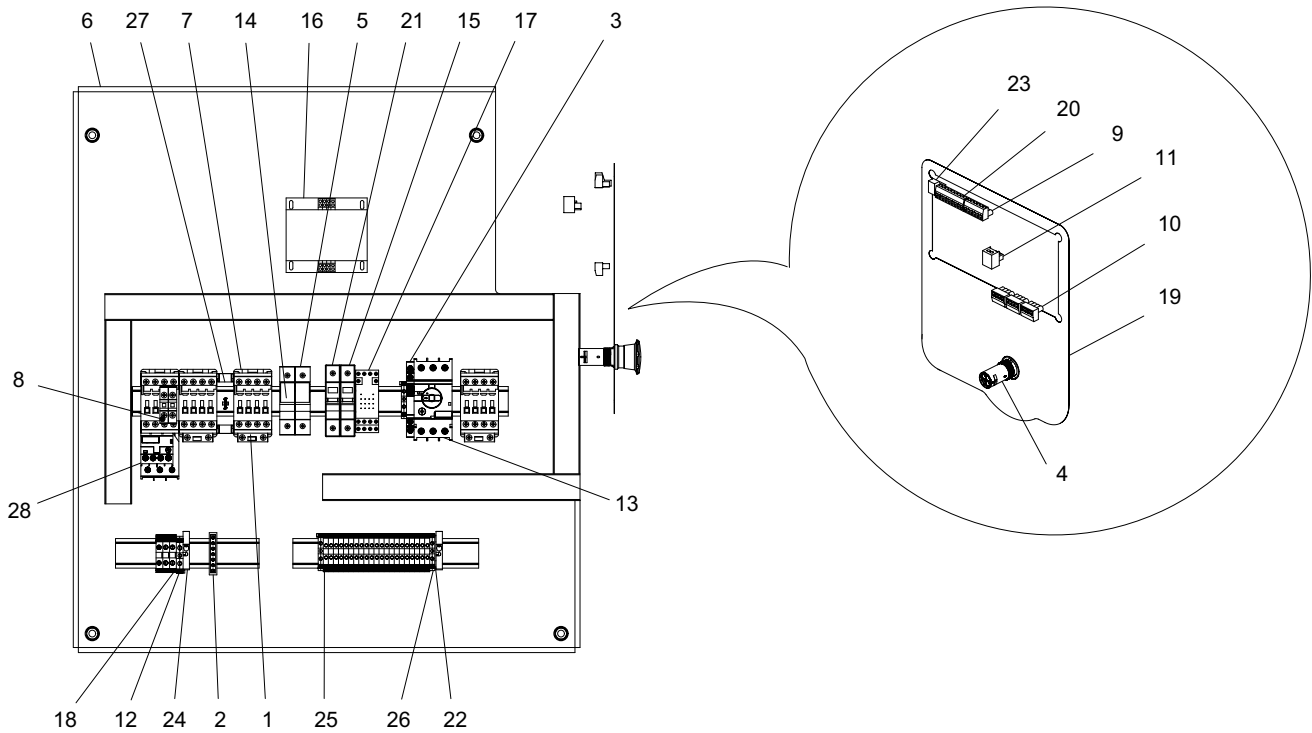
Item	Part No.	Qty	Description	Item	Part No.	Qty	Description
1	22085864	1	SUPPRESSOR, ARC	16	47499666	1	BREAKER, MINI-CIR 1.6A 1P S201-D1.6
2	23526478	1	BUS, GROUNDING-7 TAPS, SCHRACK IK021037	17	47499669	1	BASE, RELAY SCHRACK
3	23712301	1	BLOCK, AUX CONTACT 1N/O+1N/C ABB HK1-11	18	47499680	1	CONTACTOR, AF12-30-10-12, 48-130V AC/DC
4	23770514	1	BREAKER, MINI-CIRCUIT 3A 1P S201-D3	19	47499684	1	RELAY, O/L 13-16A TF42-16
5	23990716	1	STOP, EMERGENCY	20	47499941	3	TERMINAL, 41A M6/8 GREY
6	24141962	1	HOLDER, FUSE 2-POLE 10 X 38 MM	21	47500205	1	DECAL, FACIA XE-70
7	24185209	1	PANEL, MOUNTING STARTER R4-11KW	22	47500509	1	CONNECTOR, 5.08, 9W
8	24468308	2	BLOCK, AUX. CONTACT 1 N/C CA4-01	23	54612940	1	TERMINAL, END PLATE - ENTRELEC 118 368.16
9	24469710	2	CONTACTOR, AF26, 0 AUX CONT, ABB AF26-30-00-12	24	54729546	1	CONNECTOR, 2 WAY
10	24474116	1	CONTACT, AUX 1N/O FRONT MOUNT (ABB P/N CA4-10)	25	89205397	2	TERMINAL, END STOP - ENTRELEC
11	24592586	1	BREAKER, MOTOR 0.63-1.0A 3P MS116-1.0	26	93469625	22	TERMINAL, 35A M4/6 GREY - ENTRELEC 115116.07
12	39186093	1	PLUG, 6 POSITION	27	93469633	3	TERMINAL, EARTH M4/6.P
13	39186101	3	PLUG, 4 POSITION	28	47499662001	1	INTERLOCK, MECHANICAL (ABB VM4)
14	39242367	1	PLUG, 2 POSITION	29	47521061001	2	FUSE, 1A aM, 500V, 10x38mm, OEZ
15	47499661	1	TERMINAL, M6/8P G/Y GROUND	30	47521062001	1	TRANSFORMER, 125VA 220/230V-50VA24V/ 75VA110V
				31	24468241	1	CONTACTOR, 9A AF09-30-10-12 (48-130V AC)

BACKPANEL 11KW, 230V, 50/60HZ, S/D, XE-70M



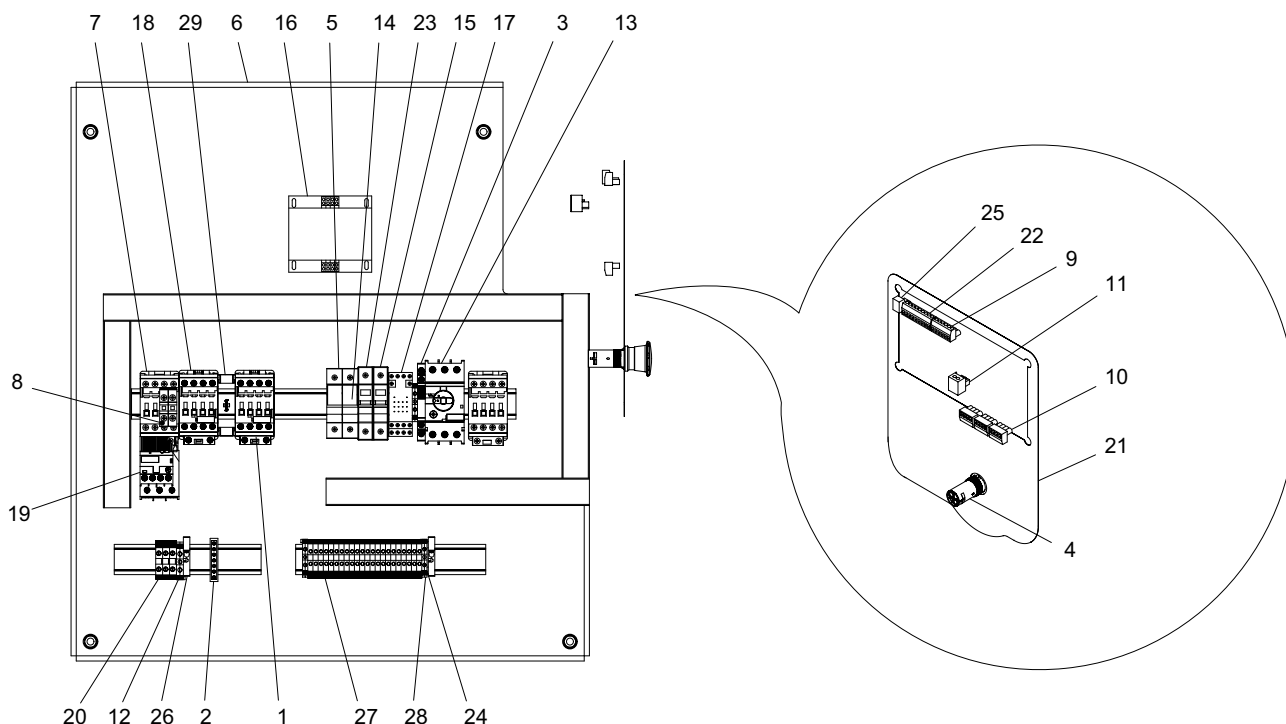
Item	Part No.	Qty	Description	Item	Part No.	Qty	Description
1	22085864	1	SUPPRESSOR, ARC	16	47499666	1	BREAKER, MINI-CIR 1.6A 1P S201-D1.6
2	23526478	1	BUS, GROUNDING-7 TAPS, SCHRACK IK021037	17	47499669	1	BASE, RELAY SCHRACK
3	23712301	1	BLOCK, AUX CONTACT 1N/O+1N/C ABB HK1-11	18	47499683	1	CONTACTOR, AF16-30-10-12, 48-130V AC/DC
4	23770514	1	BREAKER, MINI-CIRCUIT 3A 1P S201-D3	19	47499941	3	TERMINAL, 41A M6/8 GREY
5	23990716	1	STOP, EMERGENCY	20	47500205	1	DECAL, FACIA XE-70
6	24141962	1	HOLDER, FUSE 2-POLE 10 X 38 MM	21	47500509	1	CONNECTOR, 5.08, 9W
7	24185209	1	PANEL, MOUNTING STARTER R4-11KW	22	54612940	1	TERMINAL, END PLATE - ENTRELEC 118 368.16
8	24468308	2	BLOCK, AUX. CONTACT 1 N/C CA4-01	23	54729546	1	CONNECTOR, 2 WAY
9	24469710	2	CONTACTOR, AF26, 0 AUX CONT, ABB AF26-30-00-12	24	89205397	2	TERMINAL, END STOP - ENTRELEC
10	24474116	1	CONTACT, AUX 1N/0 FRONT MOUNT (ABB P/N CA4-10)	25	93469625	22	TERMINAL, 35A M4/6 GREY - ENTRELEC 115116.07
11	24592586	1	BREAKER, MOTOR 0.63-1.0A 3P MS116-1.0	26	93469633	3	TERMINAL, EARTH M4/6.P
12	39186093	1	PLUG, 6 POSITION	27	47499662001	1	INTERLOCK, MECHANICAL (ABB VM4)
13	39186101	3	PLUG, 4 POSITION	28	47505664001	1	RELAY, O/L 20-24A TF42-24
14	39242367	1	PLUG, 2 POSITION	29	47521061001	2	FUSE, 1A aM, 500V, 10x38mm, OEZ
15	47499661	1	TERMINAL, M6/8P G/Y GROUND	30	47521062001	1	TRANSFORMER, 125VA 220/230V-50VA24V/75VA110V
				31	24468241	1	CONTACTOR, 9A AF09-30-10-12 (48-130V AC)

BACKPANEL 5.5KW, 400V, 50/60HZ, S/D, XE-70M



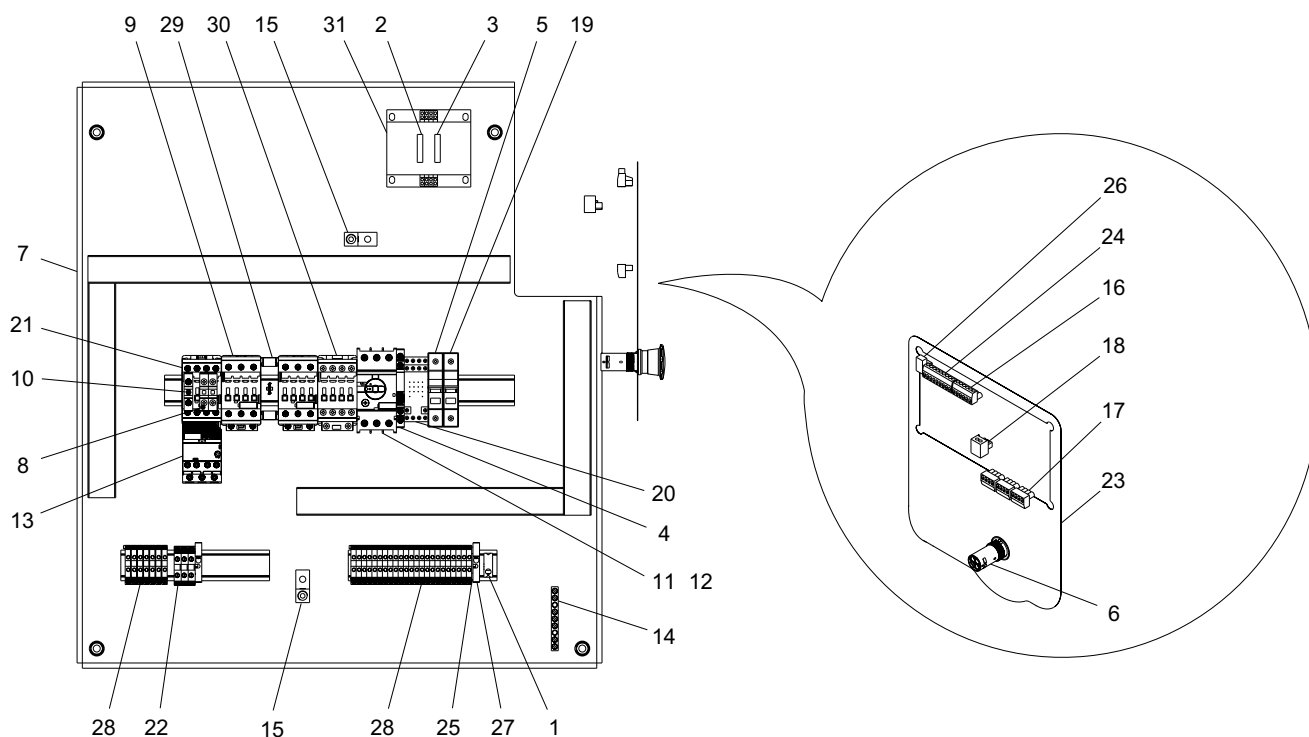
Item	Part No.	Qty	Description	Item	Part No.	Qty	Description
1	22085864	1	SUPPRESSOR, ARC	15	47499666	1	BREAKER, MINI-CIR 1.6A 1P S201-D1.6
2	23526478	1	BUS, GROUNDING-7 TAPS, SCHRACK IK021037	16	47499667	1	TRANSFORMER, 125VA 380/400/415V-50VA24V/75VA110V
3	23712301	1	BLOCK, AUX CONTACT 1N/O+1N/C ABB HK1-11	17	47499669	1	BASE, RELAY SCHRACK
4	23990716	1	STOP, EMERGENCY	18	47499941	3	TERMINAL, 41A M6/8 GREY
5	24141962	1	HOLDER, FUSE 2-POLE 10 X 38 MM	19	47500205	1	DECAL, FACIA XE-70
6	24185209	1	PANEL, MOUNTING STARTER R4-11KW	20	47500509	1	CONNECTOR, 5.08, 9W
7	24468241	4	CONTACTOR, 9A AF09-30-10-12 (48-130V AC)	21	23770514	1	BREAKER, MINI-CIRCUIT 3A 1P S201-D3
8	24468308	2	BLOCK, AUX. CONTACT 1 N/C CA4-01	22	54612940	1	TERMINAL, END PLATE - ENTRELEC 118 368.16
9	39186093	1	PLUG, 6 POSITION	23	54729546	1	CONNECTOR, 2 WAY
10	39186101	3	PLUG, 4 POSITION	24	89205397	2	TERMINAL, END STOP - ENTRELEC
11	39242367	1	PLUG, 2 POSITION	25	93469625	22	TERMINAL, 35A M4/6 GREY - ENTRELEC 115116.07
12	47499661	1	TERMINAL, M6/8P G/Y GROUND	26	93469633	3	TERMINAL, EARTH M4/6.P
13	47499664	1	BREAKER, MOTOR 0.25-0.4A 3P MS116-0.4	27	47499662001	1	INTERLOCK, MECHANICAL (ABB VM4)
14	47499665	2	FUSE, 0.5A aM, 500V, 10x38mm, OEZ	28	47499663001	1	RELAY, O/L 5.70-7.60A TF42-7.60

BACKPANEL 7.5KW, 400V, 50/60HZ, S/D, XE-70M



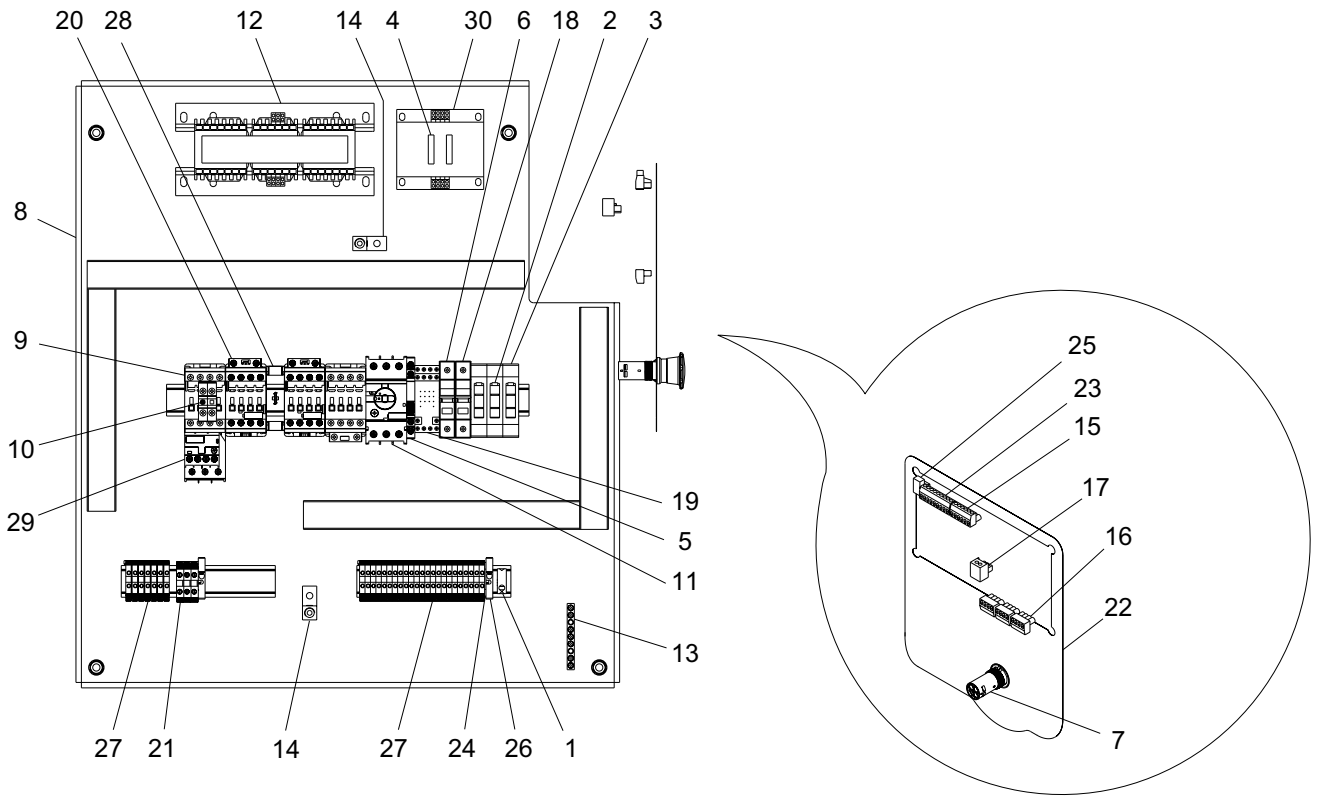
Item	Part No.	Qty	Description	Item	Part No.	Qty	Description
1	22085864	1	SUPPRESSOR, ARC	15	47499666	1	BREAKER, MINI-CIR 1.6A 1P S201-D1.6
2	23526478	1	BUS, GROUNDING-7 TAPS, SCHRACK IK021037	16	47499667	1	TRANSFORMER, 125VA 380/400/415V-50VA24V/75VA110V
3	23712301	1	BLOCK, AUX CONTACT 1N/O+1N/C ABB HK1-11	17	47499669	1	BASE, RELAY SCHRACK
4	23990716	1	STOP, EMERGENCY	18	47499680	2	CONTACTOR, AF12-30-10-12, 48-130V AC/DC
5	24141962	1	HOLDER, FUSE 2-POLE 10 X 38 MM	19	47499681001	1	RELAY, O/L 7.60-10A TF42-10
6	24185209	1	PANEL, MOUNTING STARTER R4-11KW	20	47499941	3	TERMINAL, 41A M6/8 GREY
7	24468241	2	CONTACTOR, 9A AF09-30-10-12 (48-130V AC)	21	47500205	1	DECAL, FACIA XE-70
8	24468308	2	BLOCK, AUX. CONTACT 1 N/C CA4-01	22	47500509	1	CONNECTOR, 5.08, 9W
9	39186093	1	PLUG, 6 POSITION	23	23770514	1	BREAKER, MINI-CIRCUIT 3A 1P S201-D3
10	39186101	3	PLUG, 4 POSITION	24	54612940	1	TERMINAL, END PLATE - ENTRELEC 118 368.16
11	39242367	1	PLUG, 2 POSITION	25	54729546	1	CONNECTOR, 2 WAY
12	47499661	1	TERMINAL, M6/8P G/Y GROUND	26	89205397	2	TERMINAL, END STOP - ENTRELEC
13	47499664	1	BREAKER, MOTOR 0.25-0.4A 3P MS116-0.4	27	93469625	22	TERMINAL, 35A M4/6 GREY - ENTRELEC 115116.07
14	47499665	2	FUSE, 0.5A aM, 500V, 10x38mm, OEZ	28	93469633	3	TERMINAL, EARTH M4/6.P
				29	47499662001	1	INTERLOCK, MECHANICAL (ABB VM4)

BACKPANEL 10HP, 208-230/460V, 50/60HZ, S/D, XE-70M



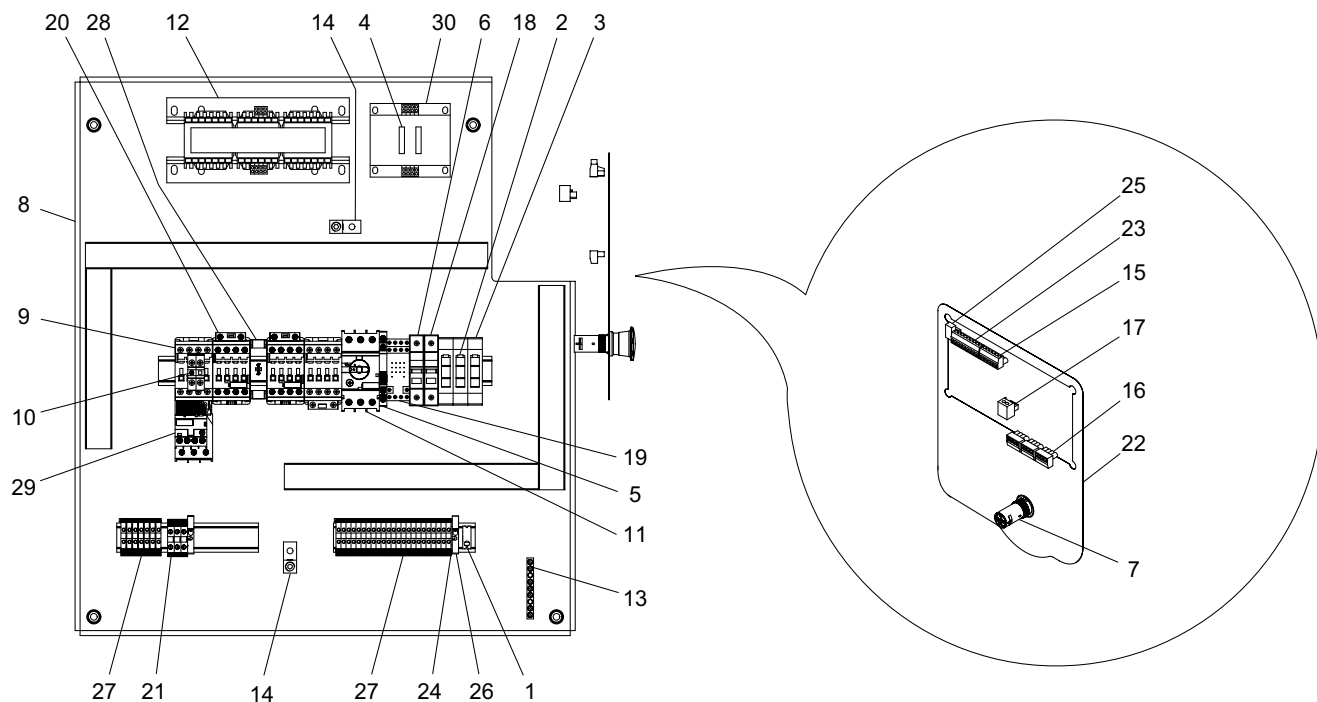
Item	Part No.	Qty	Description	Item	Part No.	Qty	Description
1	22085864	1	SUPPRESSOR, ARC	16	39186093	1	PLUG, 6 POSITION
2	23238066	2	FUSE, T - 0.5A, 6.3X32 MM	17	39186101	3	PLUG, 4 POSITION
3	23639552	2	FUSE, 1A(T) 6.3X32MM 500V	18	39242367	1	PLUG, 2 POSITION
4	23712301	1	BLOCK, AUX CONTACT 1N/O+1N/C ABB HK1-11	19	47499666	1	BREAKER, MINI-CIR 1.6A 1P S201-D1.6
5	23770514	1	BREAKER, MINI-CIRCUIT 3A 1P S201-D3	20	47499669	1	BASE, RELAY SCHRACK
6	23990716	1	STOP, EMERGENCY	21	47499680	1	CONTACTOR, AF12-30-10-12, 48-130V AC/DC
7	24185209	1	PANEL, MOUNTING STARTER R4-11KW	22	47499941	3	TERMINAL, 41A M6/8 GREY
8	24468308	2	BLOCK, AUX. CONTACT 1 N/C CA4-01	23	47500205	1	DECAL, FACIA XE-70
9	24469710	2	CONTACTOR, AF26, 0 AUX CONT, ABB AF26-30-00-12	24	47500509	1	CONNECTOR, 5.08, 9W
10	24474116	1	CONTACT, AUX 1N/0 FRONT MOUNT (ABB P/N CA4-10)	25	54612940	1	TERMINAL, END PLATE - ENTRELEC 118 368.16
11	24592560	1	BREAKER, MOTOR 0.4-0.63A 3P MS116-0.63	26	54729546	1	CONNECTOR, 2 WAY
12	24592586	1	BREAKER, MOTOR 0.63-1.0A 3P MS116-1.0	27	89205397	2	TERMINAL, END STOP - ENTRELEC
13	24730178	1	RELAY, OVERLOAD (ABB EF19-18.9)	28	93469625	30	TERMINAL, 35A M4/6 GREY - ENTRELEC 115116.07
14	32342115	1	BUS, ALUMINIUM GROUNDING (7 TAPS)	29	47499662001	1	INTERLOCK, MECHANICAL (ABB VM4)
15	32342123	2	LUG, GROUNDING	30	47518259001	1	TRANSFORMER, 208/230/460/575V WITH FUSE BLOCKS
				31	24468241	1	CONTACTOR, 9A AF09-30-10-12 (48-130V AC)

BACKPANEL 10HP, 575V 50/60HZ, S/D, XE-70M



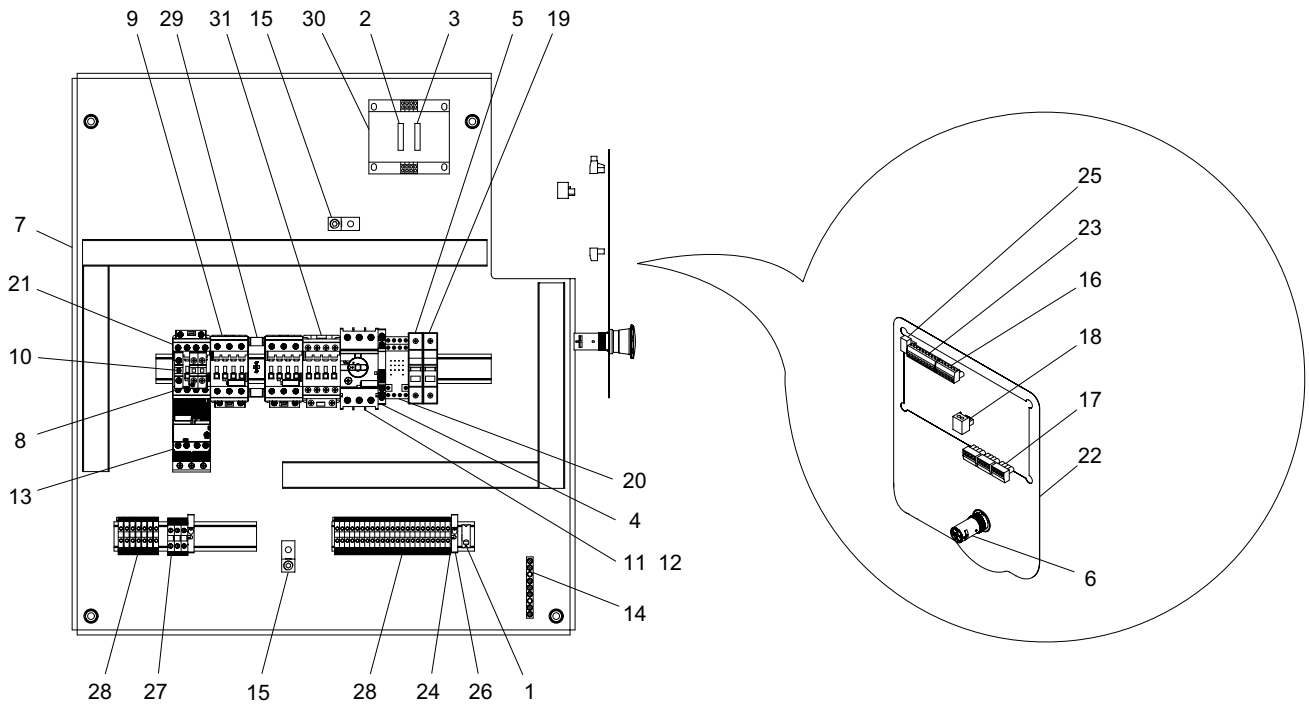
Item	Part No.	Qty	Description	Item	Part No.	Qty	Description
1	22085864	1	SUPPRESSOR, ARC	16	39186101	3	PLUG, 4 POSITION
2	22269682	3	FUSE, TIME DELAY, CLASS CC, 1A, 600V, 200KAIC	17	39242367	1	PLUG, 2 POSITION
3	22344253	1	HOLDER, 3-POLE FUSE (FINGER SAFE)	18	47499666	1	BREAKER, MINI-CIR 1.6A 1P S201-D1.6
4	23238066	2	FUSE, T - 0.5A, 6.3X32 MM	19	47499669	1	BASE, RELAY SCHRACK
5	23712301	1	BLOCK, AUX CONTACT 1N/ O+1N/C ABB HK1-11	20	47499683	2	CONTACTOR, AF16-30-10-12, 48-130V AC/DC
6	23770514	1	BREAKER, MINI-CIRCUIT 3A 1P S201-D3	21	47499941	3	TERMINAL, 41A M6/8 GREY
7	23990716	1	STOP, EMERGENCY	22	47500205	1	DECAL, FACIA XE-70
8	24185209	1	PANEL, MOUNTING STARTER R4-11KW	23	47500509	1	CONNECTOR, 5.08, 9W
9	24468241	2	CONTACTOR, 9A AF09-30-10-12 (48-130V AC)	24	54612940	1	TERMINAL, END PLATE - ENTRELEC 118 368.16
10	24468308	2	BLOCK, AUX. CONTACT 1 N/C CA4-01	25	54729546	1	CONNECTOR, 2 WAY
11	24592586	1	BREAKER, MOTOR 0.63-1.0A 3P MS116-1.0	26	89205397	2	TERMINAL, END STOP - ENTRELEC
12	24592594	1	TRANSFORMER, 3PH 400VA 575/230V	27	93469625	30	TERMINAL, 35A M4/6 GREY - ENTRELEC 115116.07
13	32342115	1	BUS, ALUMINIUM GROUNDING (7 TAPS)	28	47499662001	1	INTERLOCK, MECHANICAL (ABB VM4)
14	32342123	2	LUG, GROUNDING	29	47499663001	1	RELAY, O/L 5.70-7.60A TF42-7.60
15	39186093	1	PLUG, 6 POSITION	30	47518259001	1	TRANSFORMER, 208/230/460/575V WITH FUSE BLOCKS

BACKPANEL 7.5HP, 575V 50/60HZ, S/D, XE-70M



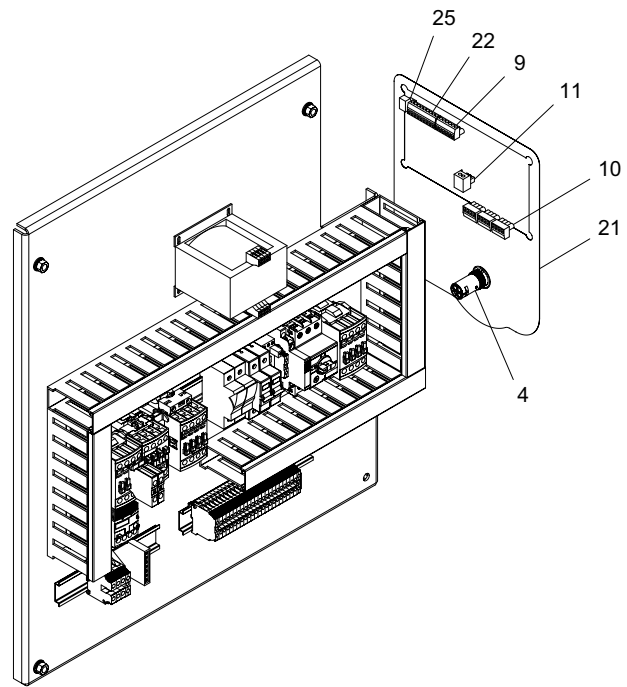
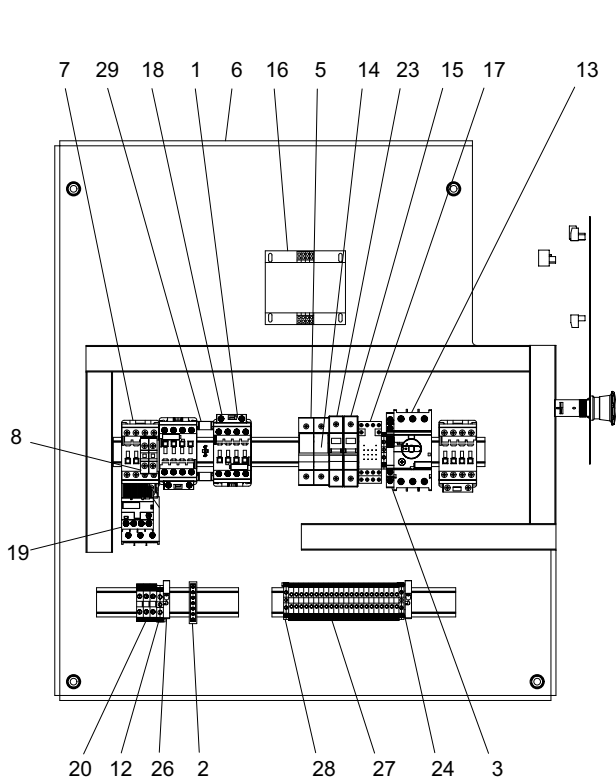
Item	Part No.	Qty	Description	Item	Part No.	Qty	Description
1	22085864	1	SUPPRESSOR, ARC	15	39186093	1	PLUG, 6 POSITION
2	22269682	3	FUSE, TIME DELAY, CLASS CC, 1A, 600V, 200KAIC	16	39186101	3	PLUG, 4 POSITION
3	22344253	1	HOLDER, 3-POLE FUSE (FINGER SAFE)	17	39242367	1	PLUG, 2 POSITION
4	23238066	2	FUSE, T - 0.5A, 6.3X32 MM	18	47499666	1	BREAKER, MINI-CIR 1.6A 1P S201-D1.6
5	23712301	1	BLOCK, AUX CONTACT 1N/O+1N/C ABB HK1-11	19	47499669	1	BASE, RELAY SCHRACK
6	23770514	1	BREAKER, MINI-CIRCUIT 3A 1P S201-D3	20	47499683	2	CONTACTOR, AF16-30-10-12, 48-130V AC/DC
7	23990716	1	STOP, EMERGENCY	21	47499941	3	TERMINAL, 41A M6/8 GREY
8	24185209	1	PANEL, MOUNTING STARTER R4-11KW	22	47500205	1	DECAL, FACIA XE-70
9	24468241	2	CONTACTOR, 9A AF09-30-10-12 (48-130V AC)	23	47500509	1	CONNECTOR, 5.08, 9W
10	24468308	2	BLOCK, AUX. CONTACT 1 N/C CA4-01	24	54612940	1	TERMINAL, END PLATE - ENTRELEC 118 368.16
11	24592586	1	BREAKER, MOTOR 0.63-1.0A 3P MS116-1.0	25	54729546	1	CONNECTOR, 2 WAY
12	24592594	1	TRANSFORMER, 3PH 400VA 575/230V	26	89205397	2	TERMINAL, END STOP - ENTRELEC
13	32342115	1	BUS, ALUMINIUM GROUNDING (7 TAPS)	27	93469625	30	TERMINAL, 35A M4/6 GREY - ENTRELEC 115116.07
14	32342123	2	LUG, GROUNDING	28	47499662001	1	INTERLOCK, MECHANICAL (ABB VM4)
				29	47506172001	1	RELAY, O/L 4.2-5.7A TF42-5.7
				30	47518259001	1	TRANSFORMER, 208/230/460/575V WITH FUSE BLOCKS

BACKPANEL 15HP, 208-230/460V, 50/60HZ, S/D, XE-70M



Item	Part No.	Qty	Description	Item	Part No.	Qty	Description
1	22085864	1	SUPPRESSOR, ARC	16	39186093	1	PLUG, 6 POSITION
2	23238066	2	FUSE, T - 0.5A, 6.3X32 MM	17	39186101	3	PLUG, 4 POSITION
3	23639552	2	FUSE, 1A(T) 6.3X32MM 500V	18	39242367	1	PLUG, 2 POSITION
4	23712301	1	BLOCK, AUX CONTACT 1N/ O+1N/C ABB HK1-11	19	47499666	1	BREAKER, MINI-CIR 1.6A 1P S201-D1.6
5	23770514	1	BREAKER, MINI-CIRCUIT 3A 1P S201-D3	20	47499669	1	BASE, RELAY SCHRACK
6	23990716	1	STOP, EMERGENCY	21	47499683	1	CONTACTOR, AF16-30-10-12, 48-130V AC/DC
7	24185209	1	PANEL, MOUNTING STARTER R4-11KW	22	47500205	1	DECAL, FACIA XE-70
8	24468308	2	BLOCK, AUX. CONTACT 1 N/C CA4-01	23	47500509	1	CONNECTOR, 5.08, 9W
9	24469728	2	CONTACTOR, AF30, 0 AUX CONT, ABB AF30-30-00-12	24	54612940	1	TERMINAL, END PLATE - ENTRELEC 118 368.16
10	24474116	1	CONTACT, AUX 1N/0 FRONT MOUNT (ABB P/N CA4-10)	25	54729546	1	CONNECTOR, 2 WAY
11	24592560	1	BREAKER, MOTOR 0.4-0.63A 3P MS116-0.63	26	89205397	2	TERMINAL, END STOP - ENTRELEC
12	24592586	1	BREAKER, MOTOR 0.63-1.0A 3P MS116-1.0	27	89245468	3	TERMINAL, 63A M10/10 GREY
13	24730152	1	RELAY, OVERLOAD (ABB EF45-30)	28	93469625	30	TERMINAL, 35A M4/6 GREY - ENTRELEC 115116.07
14	32342115	1	BUS, ALUMINIUM GROUNDING (7 TAPS)	29	47499662001	1	INTERLOCK, MECHANICAL (ABB VM4)
15	32342123	2	LUG, GROUNDING	30	47518259001	1	TRANSFORMER, 208/230/460/575V WITH FUSE BLOCKS
				31	24468241	1	CONTACTOR, 9A AF09-30-10- 12 (48-130V AC)

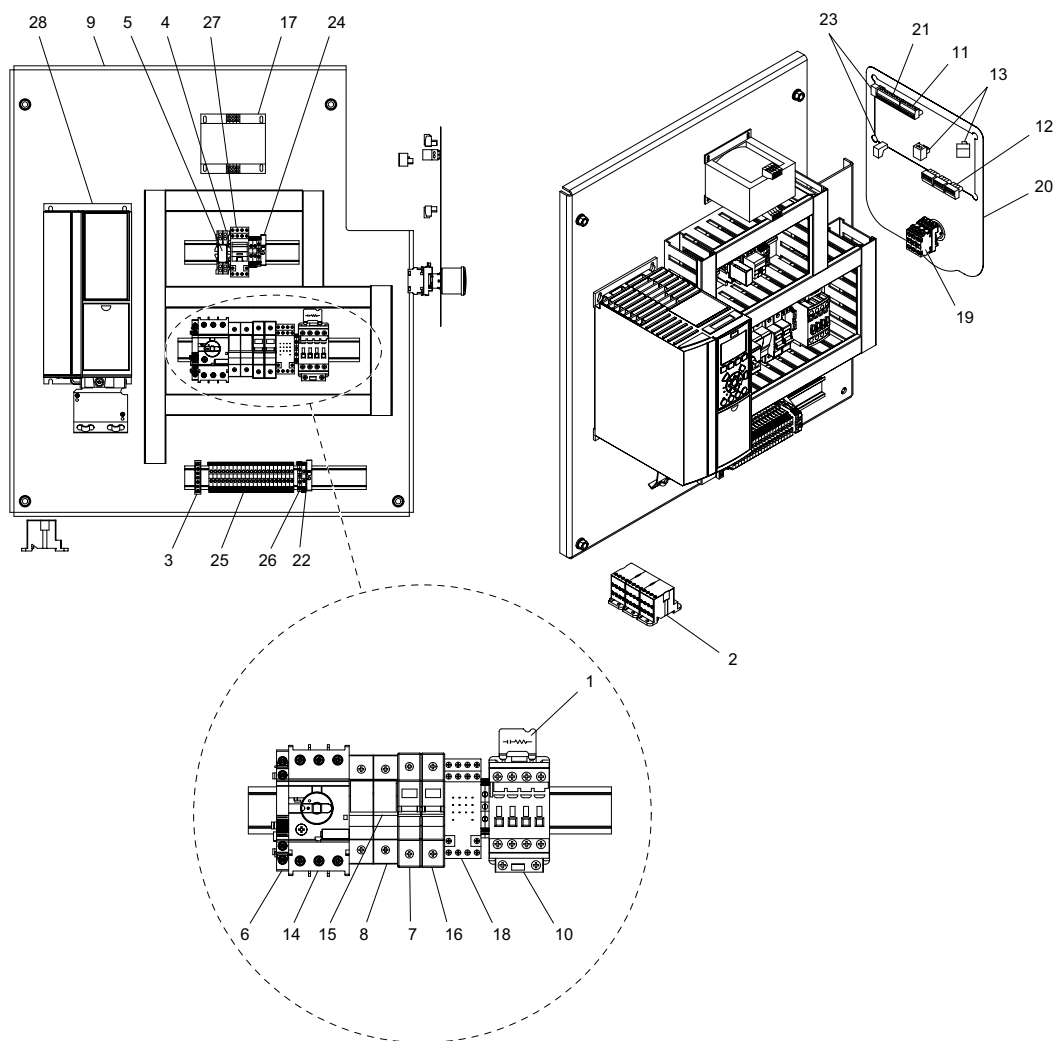
BACKPANEL 11KW, 400V, 50/60HZ, S/D, XE-70M



Item	Part No.	Qty	Description
1	22085864	1	SUPPRESSOR, ARC
2	23526478	1	BUS, GROUNDING-7 TAPS, SCHRACK IK021037
3	23712301	1	BLOCK, AUX CONTACT 1N/O+1N/C ABB HK1-11
4	23990716	1	STOP, EMERGENCY
5	24141962	1	HOLDER, FUSE 2-POLE 10 X 38 MM
6	24185209	1	PANEL, MOUNTING STARTER R4-11KW
7	24468241	2	CONTACTOR, 9A AF09-30-10-12 (48-130V AC)
8	24468308	2	BLOCK, AUX. CONTACT 1 N/C CA4-01
9	39186093	1	PLUG, 6 POSITION
10	39186101	3	PLUG, 4 POSITION
11	39242367	1	PLUG, 2 POSITION
12	47499661	1	TERMINAL, M6/8P G/Y GROUND
13	47499664	1	BREAKER, MOTOR 0.25-0.4A 3P MS116-0.4
14	47499665	2	FUSE, 0.5A aM, 500V, 10x38mm, OEZ
15	47499666	1	BREAKER, MINI-CIR 1.6A 1P S201-D1.6

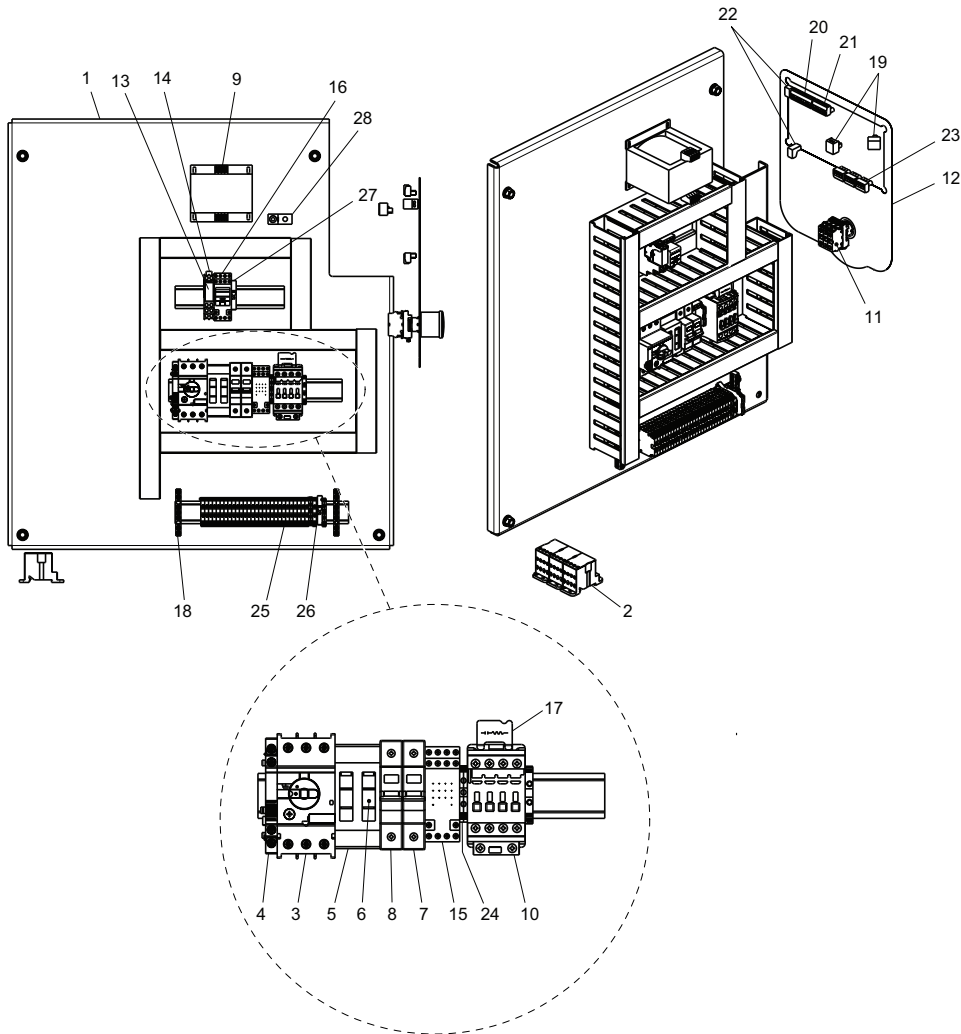
Item	Part No.	Qty	Description
16	47499667	1	TRANSFORMER, 125VA 380/400/415V-50VA24V/75VA110V
17	47499669	1	BASE, RELAY SCHRACK
18	47499683	2	CONTACTOR, AF16-30-10-12, 48-130V AC/DC
19	47499684	1	RELAY, O/L 13-16A TF42-16
20	47499941	3	TERMINAL, 41A M6/8 GREY
21	47500205	1	DECAL, FACIA XE-70
22	47500509	1	CONNECTOR, 5.08, 9W
23	23770514	1	BREAKER, MINI-CIRCUIT 3A 1P S201-D3
24	54612940	1	TERMINAL, END PLATE - ENTRELEC 118 368.16
25	54729546	1	CONNECTOR, 2 WAY
26	89205397	2	TERMINAL, END STOP - ENTRELEC
27	93469625	22	TERMINAL, 35A M4/6 GREY - ENTRELEC 115116.07
28	93469633	3	TERMINAL, EARTH M4/6.P
29	47499662001	1	INTERLOCK, MECHANICAL (ABB VM4)
30	47518259001	1	TRANSFORMER
31	24468241	1	CONTACTOR

BACKPANEL 5.5KW, 400V, 50/60HZ, VSD, XE-70M



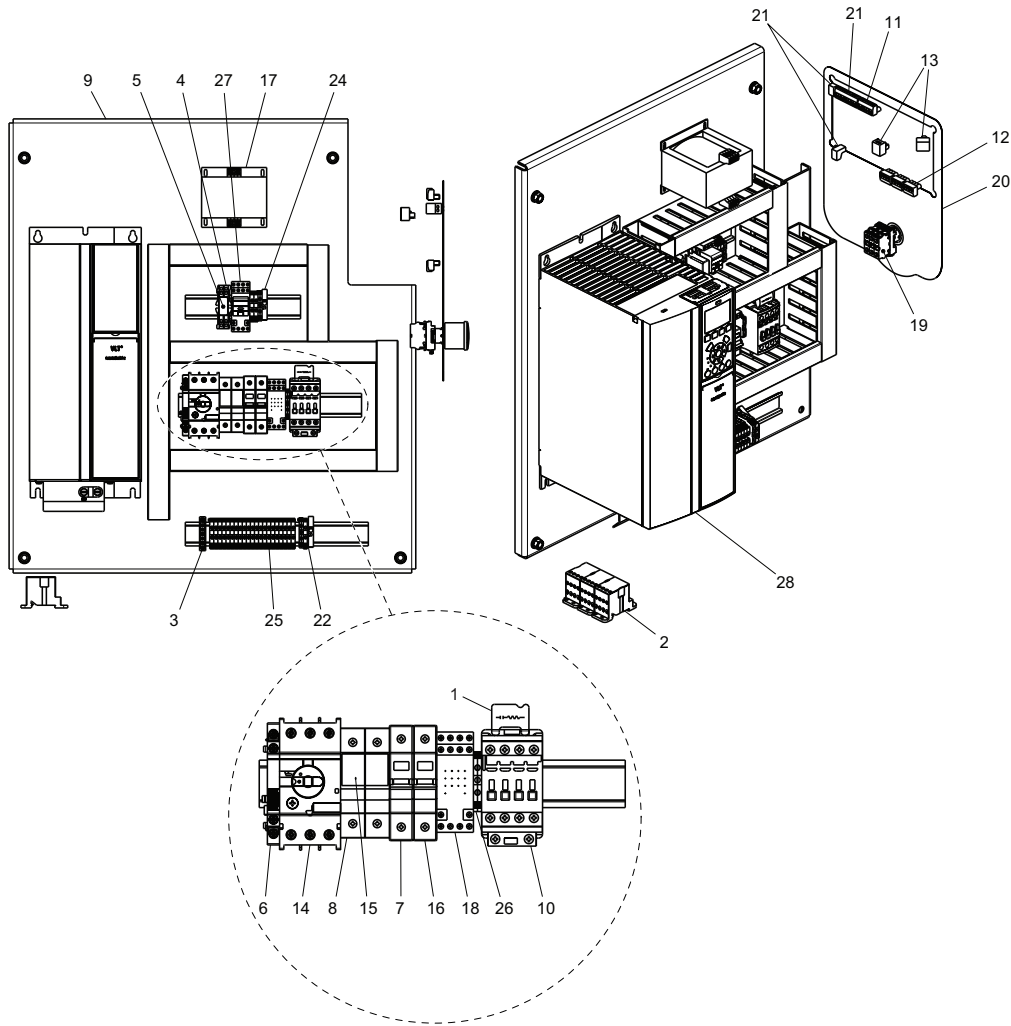
Item	Part No.	Qty	Description	Item	Part No.	Qty	Description
1	22085864	1	SUPPRESSOR, ARC	16	47499666	1	BREAKER, MINI-CIR 1.6A 1P S201-D1.6
2	23056328	3	BLOCK, POWER 1-POLE, 80A/690V	17	47499667	1	TRANSFORMER, 125VA 380/400/415V-50VA24V/75VA110V
3	23526478	1	BUS, GROUNDING-7 TAPS, SCHRACK IK021037	18	47499669	1	BASE, RELAY SCHRACK
4	23644677	1	SOCKET, DIN RAIL MOUNT	19	47499689001	1	SWITCH, EMERGENCY STOP (LATCHING 2+1N/C)
5	23644743	1	RELAY, PLUG-IN, DPDT	20	47500205	1	DECAL, FACIA XE-70
6	23712301	1	BLOCK, AUX CONTACT 1N/O+1N/C ABB HK1-11	21	47500509	1	CONNECTOR, 5.08, 9W
7	23770514	1	BREAKER, MINI-CIRCUIT 3A 1P S201-D3	22	54612940	1	TERMINAL, END PLATE - ENTRELEC 118 368.16
8	24141962	1	HOLDER, FUSE 2-POLE 10 X 38 MM	23	54729546	2	CONNECTOR, 2 WAY
9	24185209	1	PANEL, MOUNTING STARTER R4-11KW	24	89205397	2	TERMINAL, END STOP - ENTRELEC
10	24468241	1	CONTACTOR, 9A AF09-30-10-12 (48-130V AC)	25	93469625	24	TERMINAL, 35A M4/6 GREY - ENTRELEC 115116.07
11	39186093	1	PLUG, 6 POSITION	26	93469633	3	TERMINAL, EARTH M4/6.P
12	39186101	3	PLUG, 4 POSITION	27	93486470	1	RELAY,4P C/O 115VAC + BASE SCHRACK
13	39242367	2	PLUG, 2 POSITION	28	47515667001	1	DRIVE, VSD IRV302P5K5T5E20H2
14	47499664	1	BREAKER, MOTOR 0.25-0.4A 3P MS116-0.4				
15	47499665	2	FUSE, 0.5A aM, 500V, 10x38mm, OEZ				

BACKPANEL 7.5HP, 380/440V60HZ, VSD, XE-70M



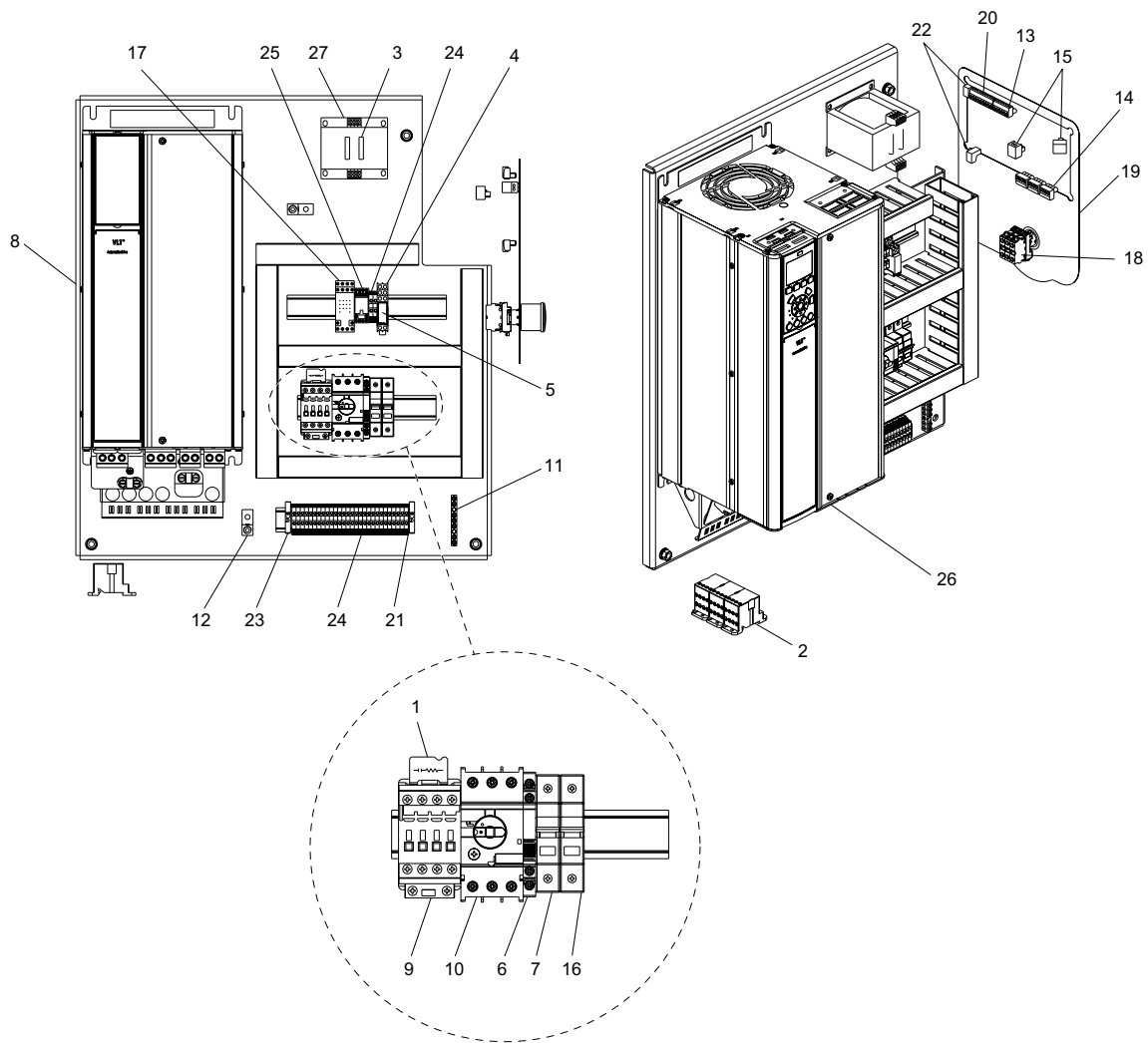
Item	Part No.	Qty	Description	Item	Part No.	Qty	Description
1	24185209	1	PANEL, MOUNTING STARTER R4-11KW	13	24521965	1	RELAY, PLUG-IN, DPDT
2	23056328	3	BLOCK, POWER 1-POLE, 80A/690V	14	24329161	1	SOCKET, RELAY FINGER SAFE 2 POLE, DOUBLE THROW
3	24592560	1	BREAKER, MOTOR 0.4-0.63A 3P MS116-0.63	15	47499669	1	BASE, RELAY SCHRACK
4	23712301	1	BLOCK, AUX CONTACT 1N/O+1N/C ABB HK1-11	16	93486470	1	RELAY,4P C/O 115VAC + BASE SCHRACK
5	22505788	1	HOLDER, FUSE 2-POLE (FINGER SAFE)	17	22085864	1	SUPPRESSOR, ARC
6	47504387001	2	FUSE, 0.5A 600VAC CCMR	18	32342115	2	BUS, ALUMINIUM GROUNDING (7 TAPS)
7	47499666	1	BREAKER, MINI-CIR 1.6A 1P S201-D1.6	19	39242367	2	PLUG, 2 POSITION
8	23770514	1	BREAKER, MINI-CIRCUIT 3A 1P S201-D3	20	47500509	1	CONNECTOR, 5.08, 9W
9	47526206001	1	TRANSFORMER,125VA 220/380/440-50VA24V/75VA110V	21	39186093	1	PLUG, 6 POSITION
10	24468241	1	CONTACTOR, 9A AF09-30-10-12 (48-130V AC)	22	54729546	2	CONNECTOR, 2 WAY
11	47499689001	1	SWITCH, EMERGENCY STOP (LATCHING 2+1N/C)	23	39186101	3	PLUG, 4 POSITION
12	47500205	1	DECAL, FACIA XE-70	24	93469633	3	TERMINAL, EARTH M4/6.P
				25	93469625	30	TERMINAL, 35A M4/6 GREY - ENTRELEC 115116.07
				26	54612940	1	TERMINAL, END PLATE - ENTRELEC 118 368.16
				27	89205397	2	TERMINAL, END STOP - ENTRELEC
				28	32342123	1	LUG, POWER GROUNDING

BACKPANEL 11KW, 400V, 50/60HZ, VSD, XE-70M



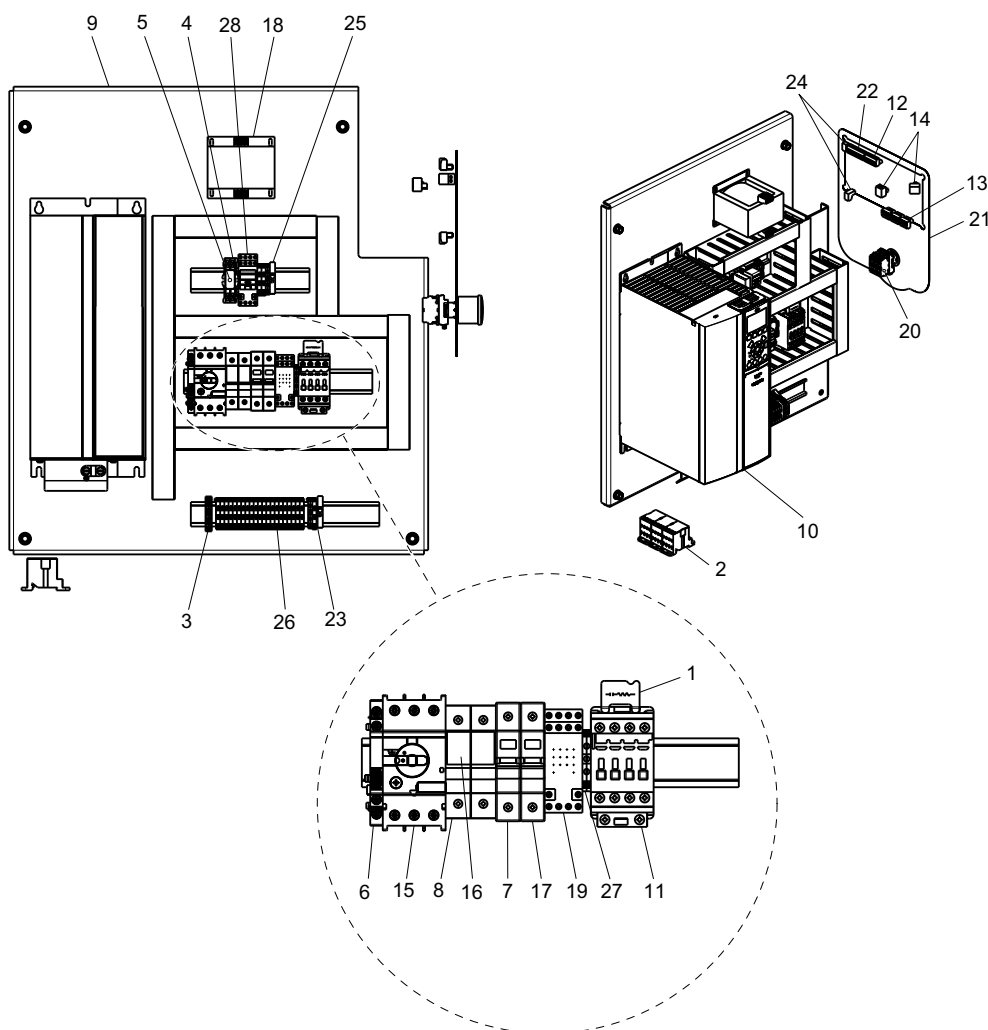
Item	Part No.	Qty	Description	Item	Part No.	Qty	Description
1	22085864	1	SUPPRESSOR, ARC	15	47499665	2	FUSE, 0.5A aM, 500V, 10x38mm, OEZ
2	23056328	3	BLOCK, POWER 1-POLE, 80A/690V	16	47499666	1	BREAKER, MINI-CIR 1.6A 1P S201-D1.6
3	23526478	1	BUS, GROUNDING-7 TAPS, SCHRACK IK021037	17	47499667	1	TRANSFORMER, 125VA 380/400/415V-50VA24V/75VA110V
4	23644677	1	SOCKET, DIN RAIL MOUNT	18	47499669	1	BASE, RELAY SCHRACK
5	23644743	1	RELAY, PLUG-IN, DPDT	19	47499689001	1	SWITCH, EMERGENCY STOP (LATCHING 2+1N/C)
6	23712301	1	BLOCK, AUX CONTACT 1N/O+1N/C ABB HK1-11	20	47500205	1	DECAL, FACIA XE-70
7	23770514	1	BREAKER, MINI-CIRCUIT 3A 1P S201-D3	21	47500509	1	CONNECTOR, 5.08, 9W
8	24141962	1	HOLDER, FUSE 2-POLE 10 X 38 MM	22	54612940	1	TERMINAL, END PLATE - ENTRELEC 118 368.16
9	24185209	1	PANEL, MOUNTING STARTER R4-11KW	23	54729546	2	CONNECTOR, 2 WAY
10	24468241	1	CONTACTOR, 9A AF09-30-10-12 (48-130V AC)	24	89205397	2	TERMINAL, END STOP - ENTRELEC
11	39186093	1	PLUG, 6 POSITION	25	93469625	24	TERMINAL, 35A M4/6 GREY - ENTRELEC 115116.07
12	39186101	3	PLUG, 4 POSITION	26	93469633	3	TERMINAL, EARTH M4/6.P
13	39242367	2	PLUG, 2 POSITION	27	93486470	1	RELAY,4P C/O 115VAC + BASE SCHRACK
14	47499664	1	BREAKER, MOTOR 0.25-0.4A 3P MS116-0.4	28	47503743001	1	DRIVE, VSD IRV302P11KT5E20H2

BACKPANEL 15HP, 208/230V60HZ, VSD, XE-70M



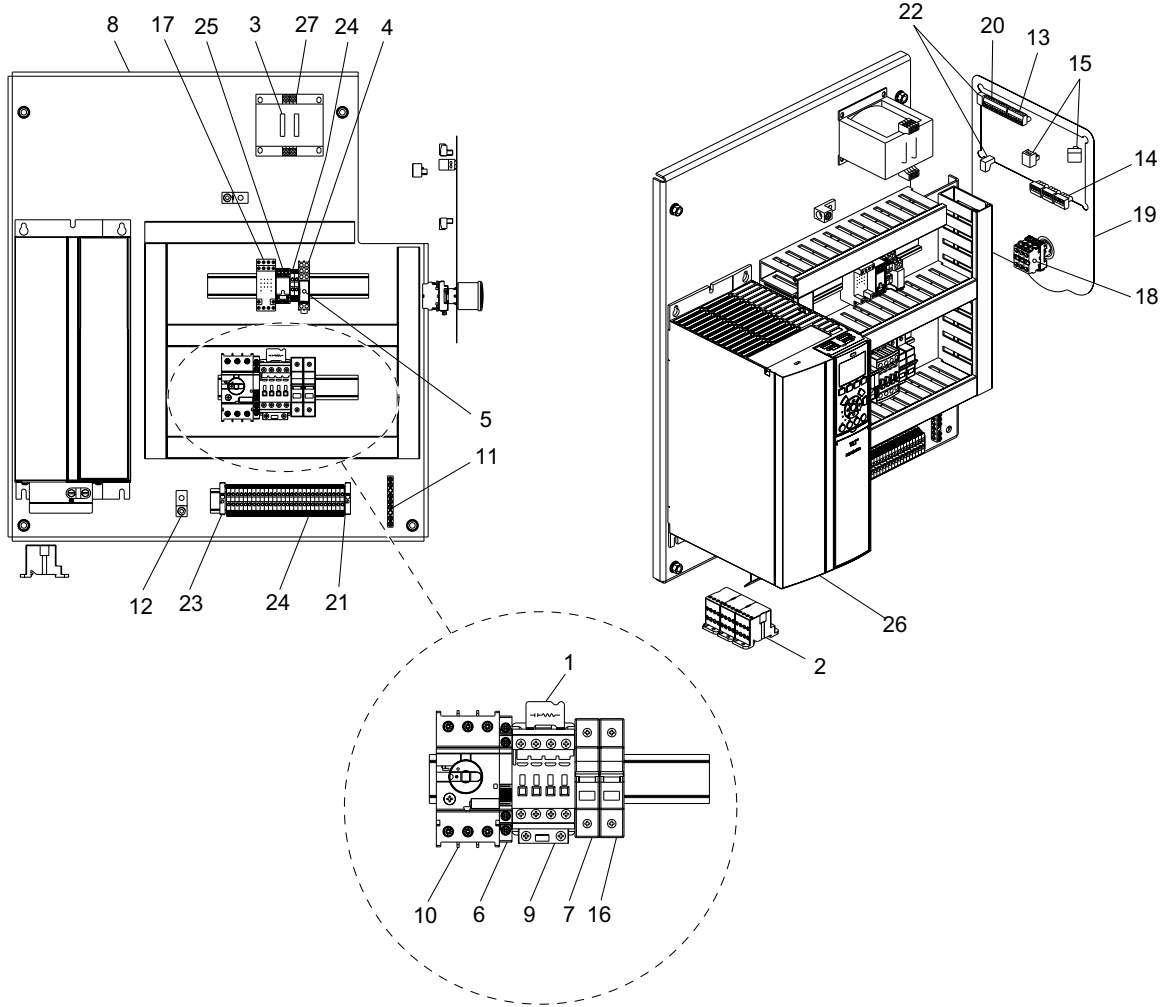
Item	Part No.	Qty	Description	Item	Part No.	Qty	Description
1	22085864	1	SUPPRESSOR, ARC	15	39242367	2	PLUG, 2 POSITION
2	23056328	3	BLOCK, POWER 1-POLE, 80A/690V	16	47499666	1	BREAKER, MINI-CIR 1.6A 1P S201-D1.6
3	23639552	2	FUSE, 1A(T) 6.3X32MM 500V	17	47499669	1	BASE, RELAY SCHRACK
4	24329161	1	SOCKET, RELAY FINGER SAFE 2 POLE, DOUBLE THROW	18	47499689001	1	SWITCH, EMERGENCY STOP (LATCHING 2+1N/C)
5	24521965	1	RELAY, PLUG-IN, DPDT	19	47500205	1	DECAL, FACIA XE-70
6	23712301	1	BLOCK, AUX CONTACT 1N/O+1N/C ABB HK1-11	20	47500509	1	CONNECTOR, 5.08, 9W
7	23770514	1	BREAKER, MINI-CIRCUIT 3A 1P S201-D3	21	54612940	1	TERMINAL, END PLATE - ENTRELEC 118 368.16
8	24185209	1	PANEL, MOUNTING STARTER R4-11KW	22	54729546	2	CONNECTOR, 2 WAY
9	24468241	1	CONTACTOR, 9A AF09-30-10-12 (48-130V AC)	23	89205397	2	TERMINAL, END STOP - ENTRELEC
10	24592586	1	BREAKER, MOTOR 0.63-1.0A 3P MS116-1.0	24	93469625	30	TERMINAL, 35A M4/6 GREY - ENTRELEC 115116.07
11	32342115	1	BUS, ALUMINIUM GROUNDING (7 TAPS)	25	93486470	1	RELAY, 4P C/O 115VAC + BASE SCHRACK
12	32342123	2	LUG, GROUNDING	26	47504396001	1	DRIVE, VSD IRV302P11KT2E20H2
13	39186093	1	PLUG, 6 POSITION	27	47518259001	1	TRANSFORMER, 208/230/460/575V WITH FUSE BLOCKS
14	39186101	3	PLUG, 4 POSITION				

BACKPANEL 11KW, 400V, 50/60HZ, VSD, XE-70M



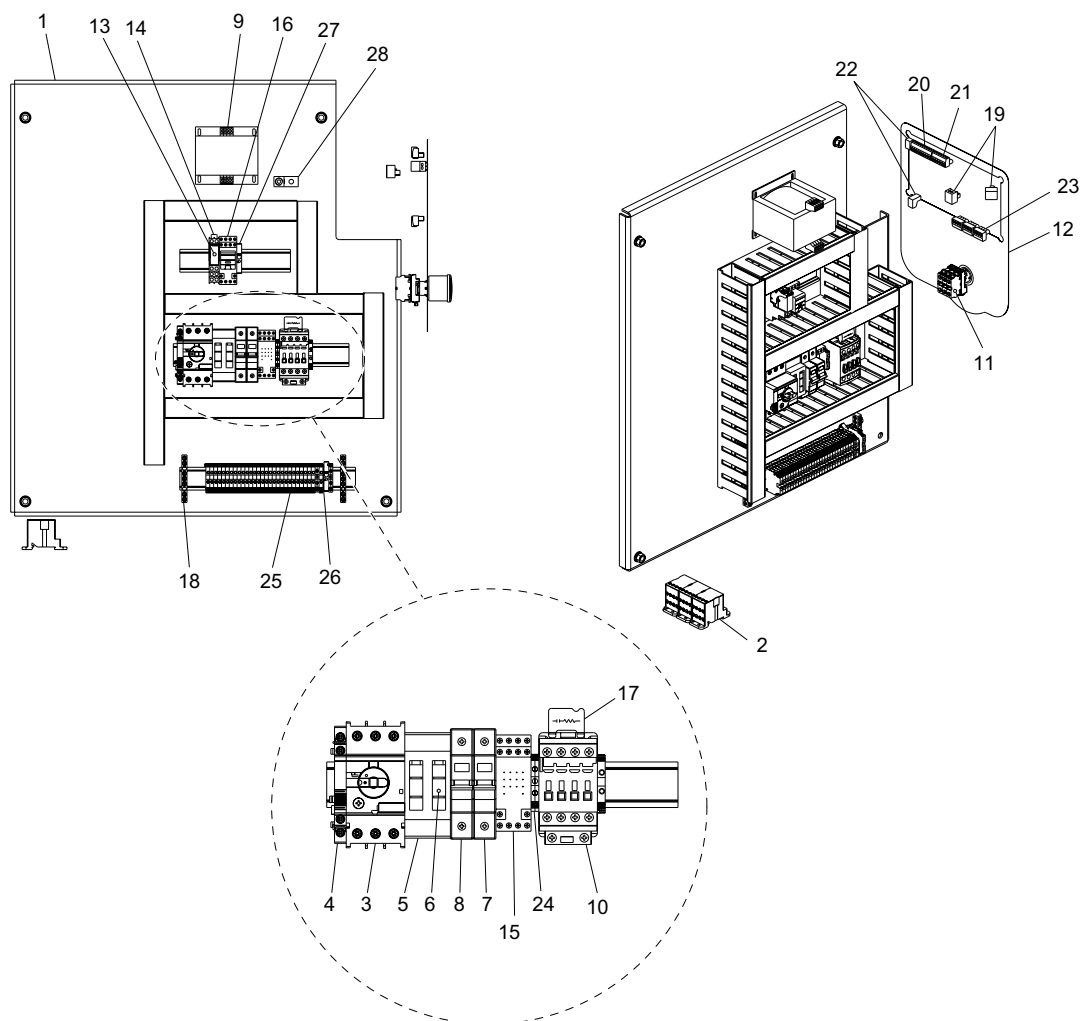
Item	Part No.	Qty	Description	Item	Part No.	Qty	Description
1	22085864	1	SUPPRESSOR, ARC	16	47499665	2	FUSE, 0.5A aM, 500V, 10x38mm, OEZ
2	23056328	3	BLOCK, POWER 1-POLE, 80A/690V	17	47499666	1	BREAKER, MINI-CIR 1.6A 1P S201-D1.6
3	23526478	1	BUS, GROUNDING-7 TAPS, SCHRACK IK021037	18	47499667	1	TRANSFORMER, 125VA 380/400/415V-50VA24V/75VA110V
4	23644677	1	SOCKET, DIN RAIL MOUNT	19	47499669	1	BASE, RELAY SCHRACK
5	23644743	1	RELAY, PLUG-IN, DPDT	20	47499689001	1	SWITCH, EMERGENCY STOP (LATCHING 2+1N/C)
6	23712301	1	BLOCK, AUX CONTACT 1N/O+1N/C ABB HK1-11	21	47500205	1	DECAL, FACIA XE-70
7	23770514	1	BREAKER, MINI-CIRCUIT 3A 1P S201-D3	22	47500509	1	CONNECTOR, 5.08, 9W
8	24141962	1	HOLDER, FUSE 2-POLE 10 X 38 MM	23	54612940	1	TERMINAL, END PLATE - ENTRELEC 118 368.16
9	24185209	1	PANEL, MOUNTING STARTER R4-11KW	24	54729546	2	CONNECTOR, 2 WAY
10	24198996	1	DRIVE, VSD 11kW	25	89205397	2	TERMINAL, END STOP - ENTRELEC
11	24468241	1	CONTACTOR, 9A AF09-30-10-12 (48-130V AC)	26	93469625	24	TERMINAL, 35A M4/6 GREY - ENTRELEC 115116.07
12	39186093	1	PLUG, 6 POSITION	27	93469633	3	TERMINAL, EARTH M4/6.P
13	39186101	3	PLUG, 4 POSITION	28	93486470	1	RELAY,4P C/O 115VAC + BASE SCHRACK
14	39242367	2	PLUG, 2 POSITION				
15	47499664	1	BREAKER, MOTOR 0.25-0.4A 3P MS116-0.4				

BACKPANEL 7.5HP 208V60HZ, 7.5/10HP 230V 60HZ VSD XE-70M



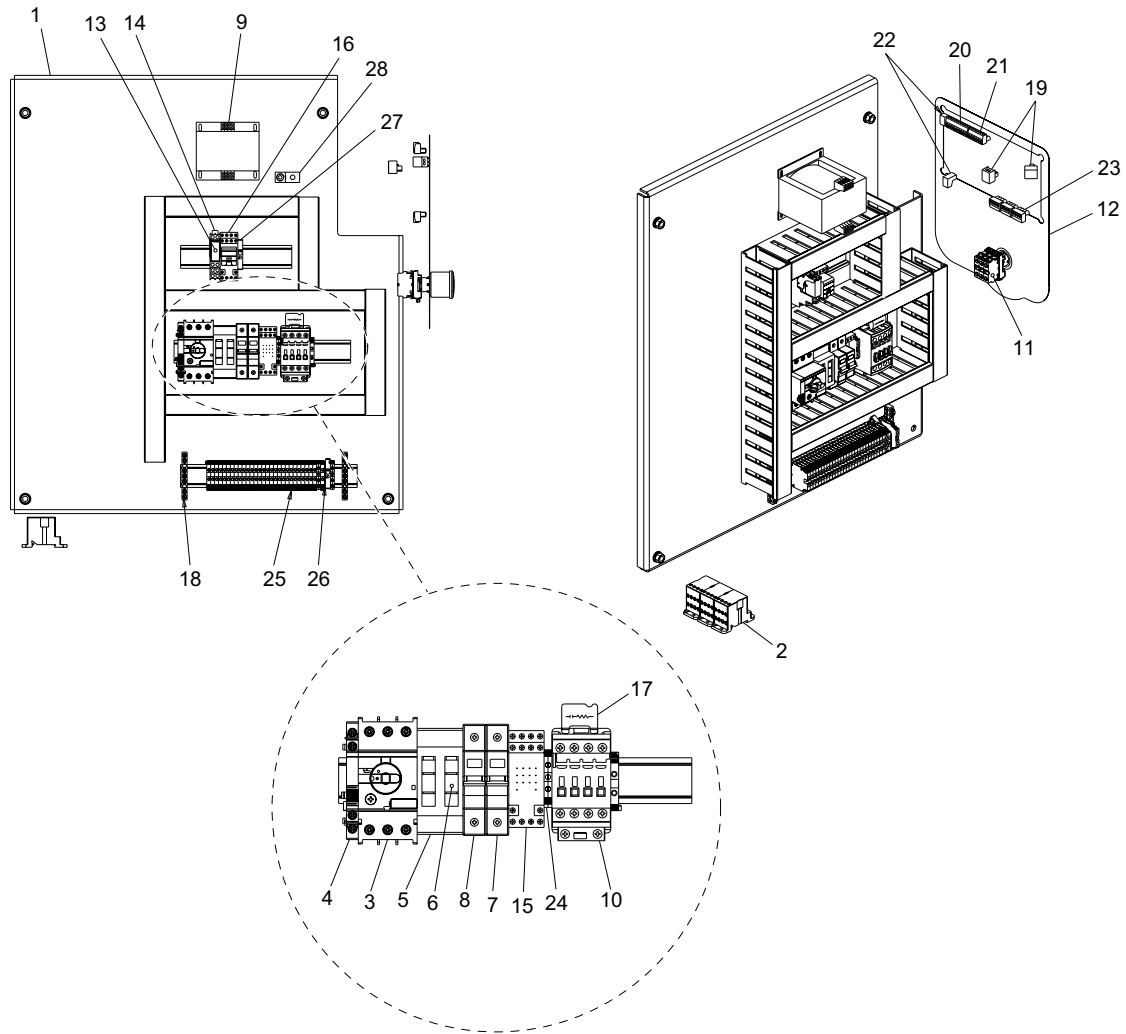
Item	Part No.	Qty	Description	Item	Part No.	Qty	Description
1	22085864	1	SUPPRESSOR, ARC	15	39242367	2	PLUG, 2 POSITION
2	23056328	3	BLOCK, POWER 1-POLE, 80A/690V	16	47499666	1	BREAKER, MINI-CIR 1.6A 1P S201-D1.6
3	23639552	2	FUSE, 1A(T) 6.3X32MM 500V	17	47499669	1	BASE, RELAY SCHRACK
4	24329161	1	SOCKET, RELAY FINGER SAFE 2 POLE, DOUBLE THROW	18	47499689001	1	SWITCH, EMERGENCY STOP (LATCHING 2+1N/C)
5	24521965	1	RELAY, PLUG-IN, DPDT	19	47500205	1	DECAL, FACIA XE-70
6	23712301	1	BLOCK, AUX CONTACT 1N/O+1N/C ABB HK1-11	20	47500509	1	CONNECTOR, 5.08, 9W
7	23770514	1	BREAKER, MINI-CIRCUIT 3A 1P S201-D3	21	54612940	1	TERMINAL, END PLATE - ENTRELEC 118 368.16
8	24185209	1	PANEL, MOUNTING STARTER R4-11KW	22	54729546	2	CONNECTOR, 2 WAY
9	24468241	1	CONTACTOR, 9A AF09-30-10-12 (48-130V AC)	23	89205397	2	TERMINAL, END STOP - ENTRELEC
10	24592586	1	BREAKER, MOTOR 0.63-1.0A 3P MS116-1.0	24	93469625	30	TERMINAL, 35A M4/6 GREY - ENTRELEC 115116.07
11	32342115	1	BUS, ALUMINIUM GROUNDING (7 TAPS)	25	93486470	1	RELAY, 4P C/O 115VAC + BASE SCHRACK
12	32342123	2	LUG, GROUNDING	26	47503742001	1	DRIVE, VSD IRV302P5K5T2E20H2
13	39186093	1	PLUG, 6 POSITION	27	47518259001	1	TRANSFORMER, 208/230/460/575V WITH FUSE BLOCKS
14	39186101	3	PLUG, 4 POSITION				

BACKPANEL 7.5/10HP 220V 60HZ VSD XE-70M



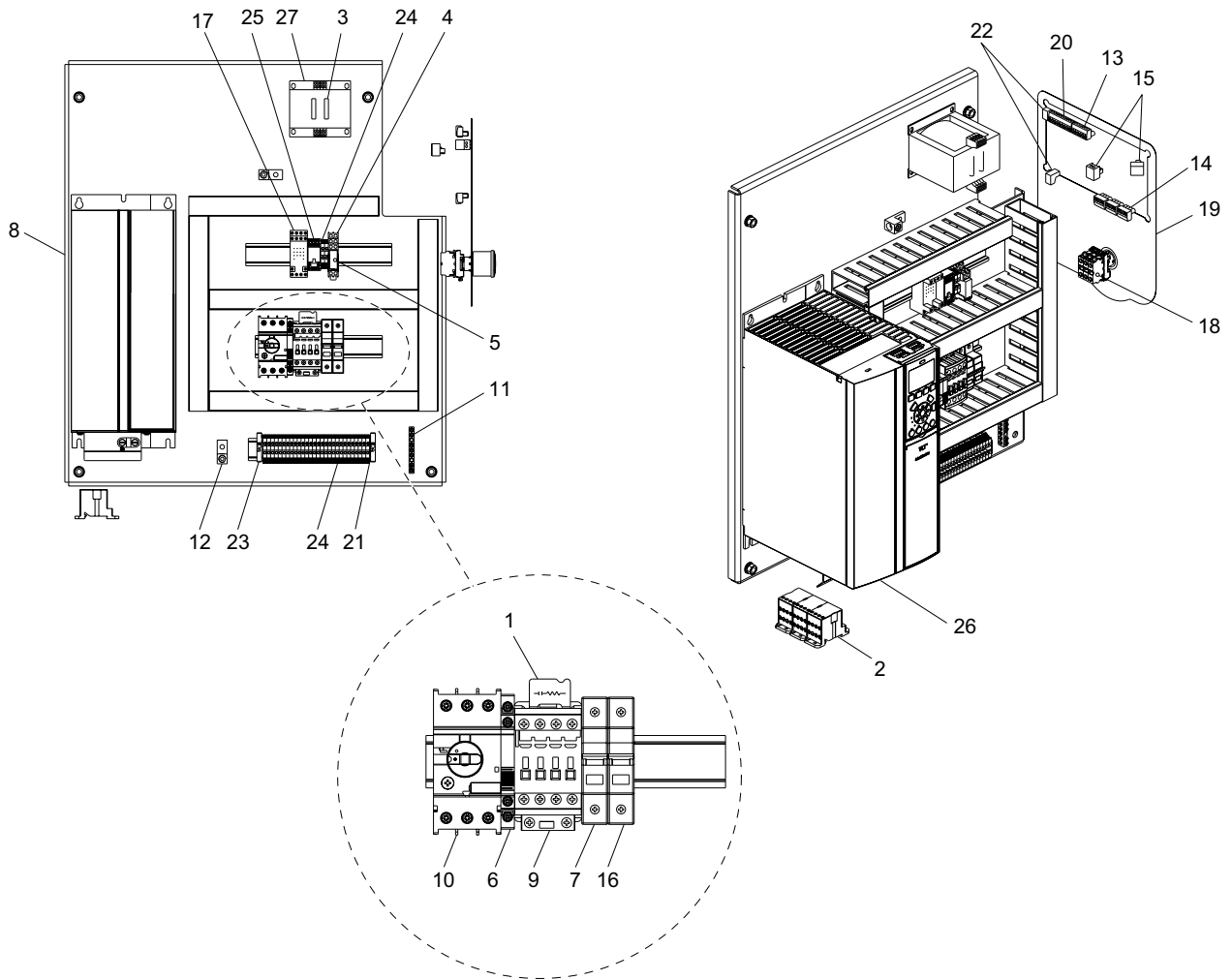
Item	Part No.	Qty	Description	Item	Part No.	Qty	Description
1	24185209	1	PANEL, MOUNTING STARTER R4-11KW	13	24521965	1	RELAY, PLUG-IN, DPDT
2	23056328	3	BLOCK, POWER 1-POLE, 80A/690V	14	24329161	1	SOCKET, RELAY FINGER SAFE 2 POLE, DOUBLE THROW
3	24592586	1	BREAKER, MOTOR 0.63-1.0A 3P MS116-1.0	15	47499669	1	BASE, RELAY SCHRACK
4	23712301	1	BLOCK, AUX CONTACT 1N/O+1N/C ABB HK1-11	16	93486470	1	RELAY,4P C/O 115VAC + BASE SCHRACK
5	22505788	1	HOLDER, FUSE 2-POLE (FINGER SAFE)	17	22085864	1	SUPPRESSOR, ARC
6	22269682	2	FUSE, TIME DELAY, CLASS CC, 1A, 600V, 200KAIC	18	32342115	2	BUS, ALUMINIUM GROUNDING (7 TAPS)
7	47499666	1	BREAKER, MINI-CIR 1.6A 1P S201-D1.6	19	39242367	2	PLUG, 2 POSITION
8	23770514	1	BREAKER, MINI-CIRCUIT 3A 1P S201-D3	20	47500509	1	CONNECTOR, 5.08, 9W
9	47526206001	1	TRANSFORMER,125VA 220/380/440-50VA24V/75VA110V	21	39186093	1	PLUG, 6 POSITION
10	24468241	1	CONTACTOR, 9A AF09-30-10-12 (48-130V AC)	22	54729546	2	CONNECTOR, 2 WAY
11	47499689001	1	SWITCH, EMERGENCY STOP (LATCHING 2+1N/C)	23	39186101	3	PLUG, 4 POSITION
12	47500205	1	DECAL, FACIA XE-70	24	93469633	3	TERMINAL, EARTH M4/6.P
				25	93469625	30	TERMINAL, 35A M4/6 GREY - ENTRELEC 115116.07
				26	54612940	1	TERMINAL, END PLATE - ENTRELEC 118 368.16
				27	89205397	2	TERMINAL, END STOP - ENTRELEC
				28	32342123	1	LUG, POWER GROUNDING

BACKPANEL 10/15HP, 380/440V60HZ, VSD, XE-70M



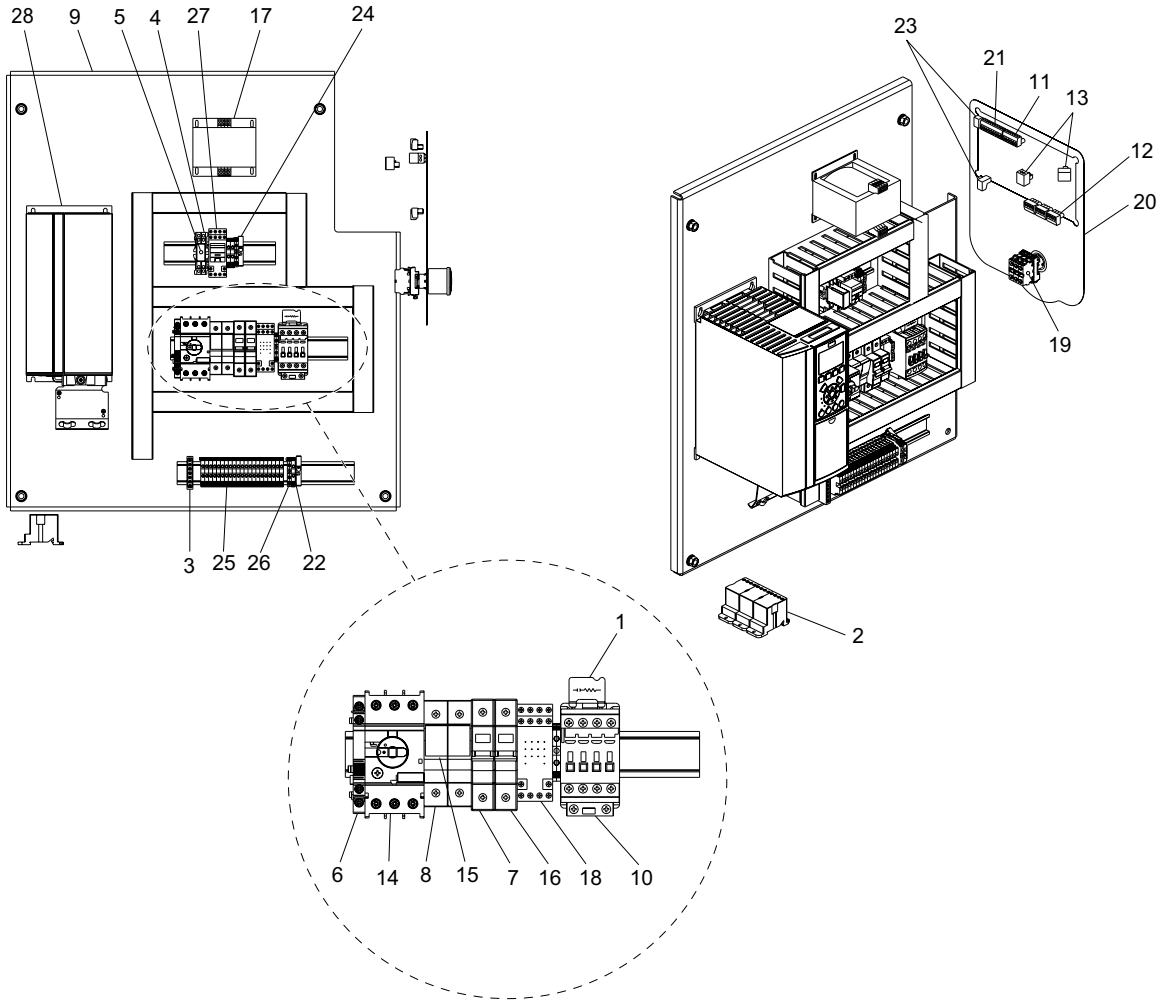
Item	Part No.	Qty	Description	Item	Part No.	Qty	Description
1	24185209	1	PANEL, MOUNTING STARTER R4-11KW	13	24521965	1	RELAY, PLUG-IN, DPDT
2	23056328	3	BLOCK, POWER 1-POLE, 80A/690V	14	24329161	1	SOCKET, RELAY FINGER SAFE 2 POLE, DOUBLE THROW
3	24592560	1	BREAKER, MOTOR 0.4-0.63A 3P MS116-0.63	15	47499669	1	BASE, RELAY SCHRACK
4	23712301	1	BLOCK, AUX CONTACT 1N/O+1N/C ABB HK1-11	16	93486470	1	RELAY,4P C/O 115VAC + BASE SCHRACK
5	22505788	1	HOLDER, FUSE 2-POLE (FINGER SAFE)	17	22085864	1	SUPPRESSOR, ARC
6	47504387001	2	FUSE, 0.5A 600VAC CCMR	18	32342115	2	BUS, ALUMINIUM GROUNDING (7 TAPS)
7	47499666	1	BREAKER, MINI-CIR 1.6A 1P S201-D1.6	19	39242367	2	PLUG, 2 POSITION
8	23770514	1	BREAKER, MINI-CIRCUIT 3A 1P S201-D3	20	47500509	1	CONNECTOR, 5.08, 9W
9	47526206001	1	TRANSFORMER,125VA 220/380/440-50VA24V/ 75VA110V	21	39186093	1	PLUG, 6 POSITION
10	24468241	1	CONTACTOR, 9A AF09-30-10-12 (48-130V AC)	22	54729546	2	CONNECTOR, 2 WAY
11	47499689001	1	SWITCH, EMERGENCY STOP (LATCHING 2+1N/C)	23	39186101	3	PLUG, 4 POSITION
12	47500205	1	DECAL, FACIA XE-70	24	93469633	3	TERMINAL, EARTH M4/6.P
				25	93469625	30	TERMINAL, 35A M4/6 GREY - ENTRELEC 115116.07
				26	54612940	1	TERMINAL, END PLATE - ENTRELEC 118 368.16
				27	89205397	2	TERMINAL, END STOP - ENTRELEC
				28	32342123	1	LUG, POWER GROUNDING

BACKPANEL 10HP, 208V60HZ, VSD, XE-70M



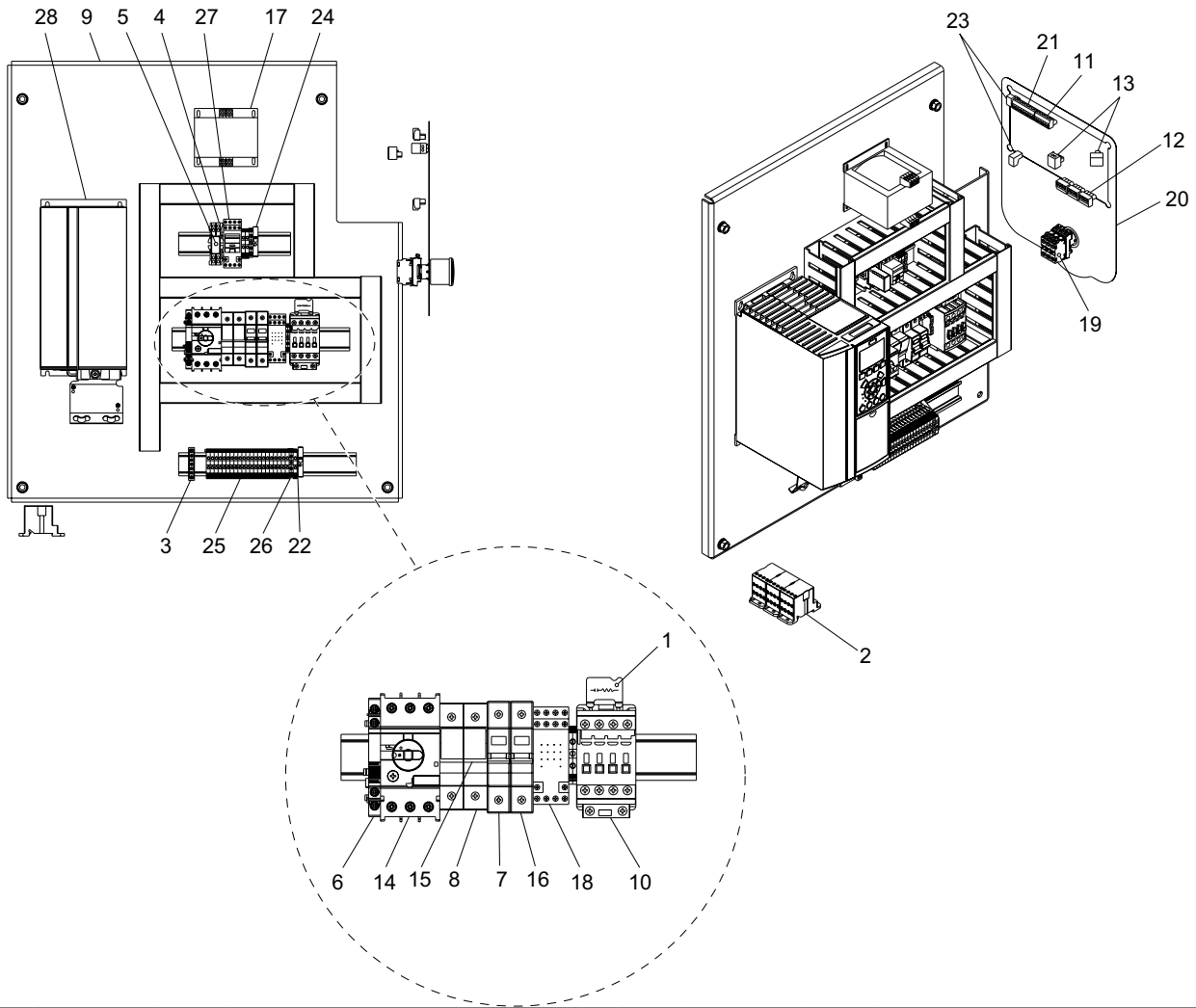
Item	Part No.	Qty	Description	Item	Part No.	Qty	Description
1	22085864	1	SUPPRESSOR, ARC	15	39242367	2	PLUG, 2 POSITION
2	23056328	3	BLOCK, POWER 1-POLE, 80A/690V	16	47499666	1	BREAKER, MINI-CIR 1.6A 1P S201-D1.6
3	23639552	2	FUSE, 1A(T) 6.3X32MM 500V	17	47499669	1	BASE, RELAY SCHRACK
4	24329161	1	SOCKET, RELAY FINGER SAFE 2 POLE, DOUBLE THROW	18	47499689001	1	SWITCH, EMERGENCY STOP (LATCHING 2+1N/C)
5	24521965	1	RELAY, PLUG-IN, DPDT	19	47500205	1	DECAL, FACIA XE-70
6	23712301	1	BLOCK, AUX CONTACT 1N/O+1N/C ABB HK1-11	20	47500509	1	CONNECTOR, 5.08, 9W
7	23770514	1	BREAKER, MINI-CIRCUIT 3A 1P S201-D3	21	54612940	1	TERMINAL, END PLATE - ENTRELEC 118 368.16
8	24185209	1	PANEL, MOUNTING STARTER R4-11KW	22	54729546	2	CONNECTOR, 2 WAY
9	24468241	1	CONTACTOR, 9A AF09-30-10-12 (48-130V AC)	23	89205397	2	TERMINAL, END STOP - ENTRELEC
10	24592586	1	BREAKER, MOTOR 0.63-1.0A 3P MS116-1.0	24	93469625	30	TERMINAL, 35A M4/6 GREY - ENTRELEC 115116.07
11	32342115	1	BUS, ALUMINIUM GROUNDING (7 TAPS)	25	93486470	1	RELAY, 4P C/O 115VAC + BASE SCHRACK
12	32342123	2	LUG, GROUNDING	26	47503741001	1	DRIVE, VSD IRV302P7K5T2E20H2
13	39186093	1	PLUG, 6 POSITION	27	47518259001	1	TRANSFORMER, 208/230/460/575V WITH FUSE BLOCKS
14	39186101	3	PLUG, 4 POSITION				

BACKPANEL 7.5KW, 400V, 50/60HZ, VSD, XE-70M



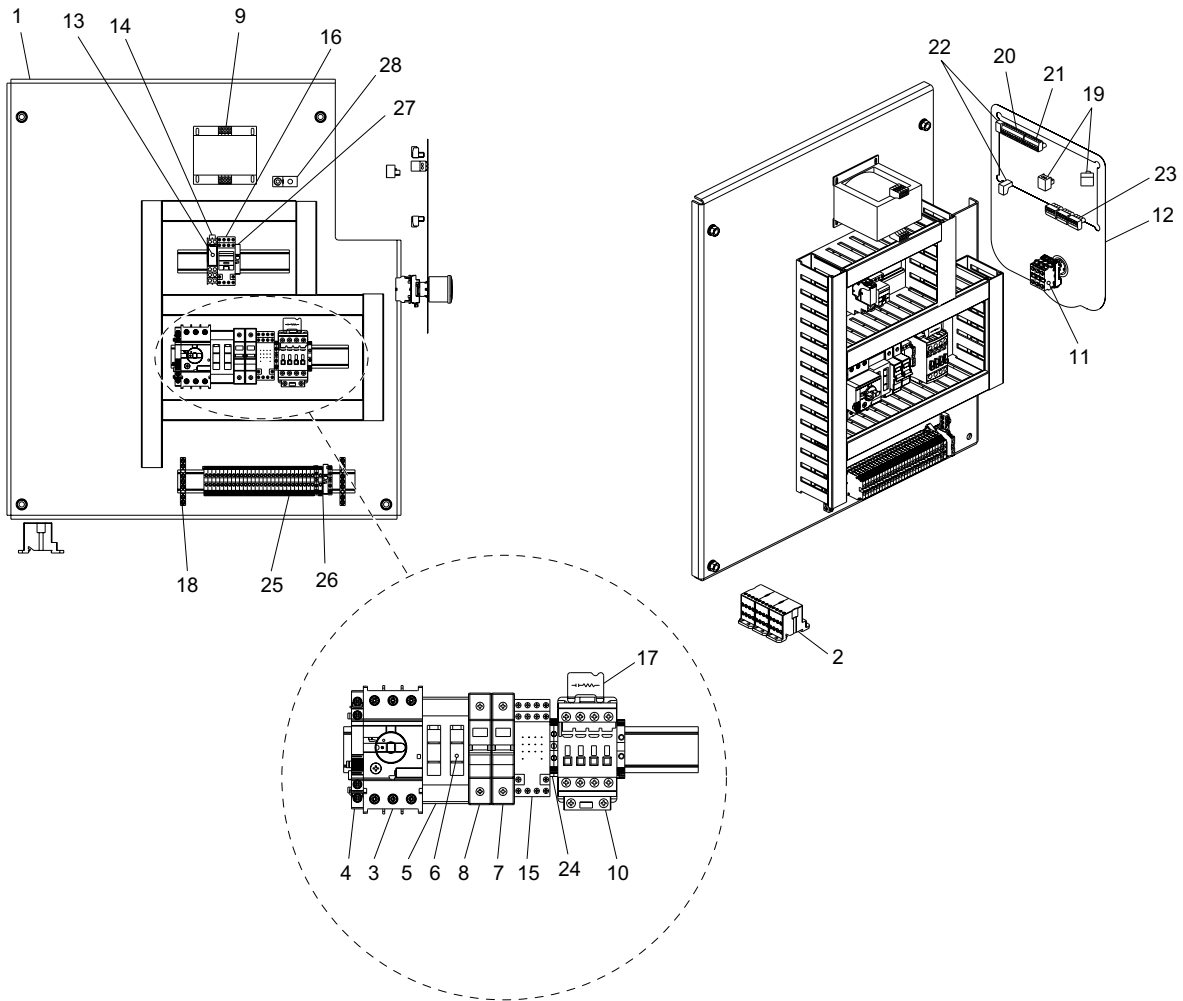
Item	Part No.	Qty	Description	Item	Part No.	Qty	Description
1	22085864	1	SUPPRESSOR, ARC	16	47499666	1	BREAKER, MINI-CIR 1.6A 1P S201-D1.6
2	23056328	3	BLOCK, POWER 1-POLE, 80A/690V	17	47499667	1	TRANSFORMER, 125VA 380/400/415V-50VA24V/75VA110V
3	23526478	1	BUS, GROUNDING-7 TAPS, SCHRACK IK021037	18	47499669	1	BASE, RELAY SCHRACK
4	23644677	1	SOCKET, DIN RAIL MOUNT	19	47499689001	1	SWITCH, EMERGENCY STOP (LATCHING 2+1N/C)
5	23644743	1	RELAY, PLUG-IN, DPDT	20	47500205	1	DECAL, FACIA XE-70
6	23712301	1	BLOCK, AUX CONTACT 1N/O+1N/C ABB HK1-11	21	47500509	1	CONNECTOR, 5.08, 9W
7	23770514	1	BREAKER, MINI-CIRCUIT 3A 1P S201-D3	22	54612940	1	TERMINAL, END PLATE - ENTRELEC 118 368.16
8	24141962	1	HOLDER, FUSE 2-POLE 10 X 38 MM	23	54729546	2	CONNECTOR, 2 WAY
9	24185209	1	PANEL, MOUNTING STARTER R4-11KW	24	89205397	2	TERMINAL, END STOP - ENTRELEC
10	24468241	1	CONTACTOR, 9A AF09-30-10-12 (48-130V AC)	25	93469625	24	TERMINAL, 35A M4/6 GREY - ENTRELEC 115116.07
11	39186093	1	PLUG, 6 POSITION	26	93469633	3	TERMINAL, EARTH M4/6.P
12	39186101	3	PLUG, 4 POSITION	27	93486470	1	RELAY,4P C/O 115VAC + BASE SCHRACK
13	39242367	2	PLUG, 2 POSITION	28	47503744001	1	DRIVE, VSD IRV302P7K5T5E20H2
14	47499664	1	BREAKER, MOTOR 0.25-0.4A 3P MS116-0.4				
15	47499665	2	FUSE, 0.5A aM, 500V, 10x38mm, OEZ				

BACKPANEL 5.5KW, 400V, 50/60HZ, VSD, XE-70M



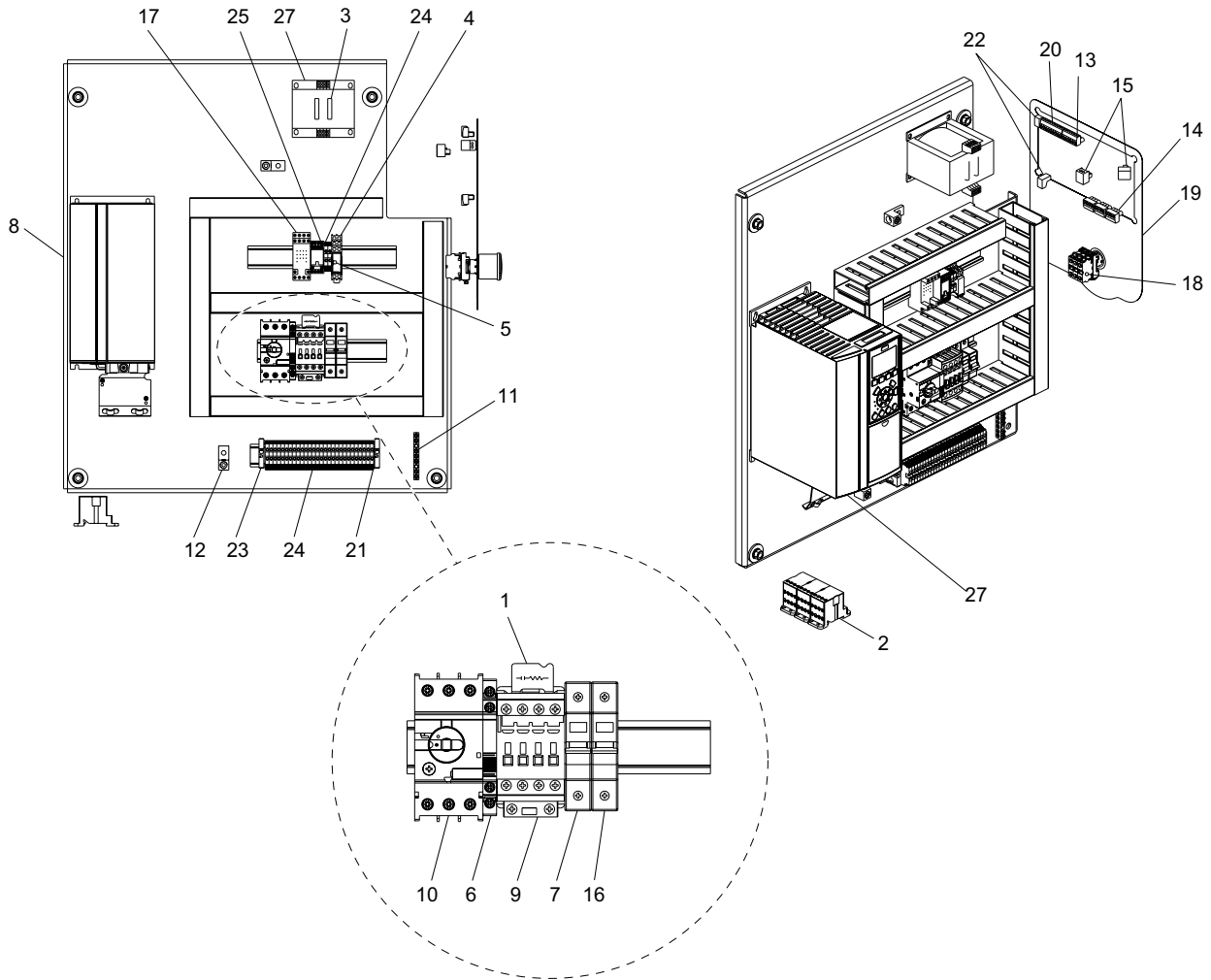
Item	Part No.	Qty	Description	Item	Part No.	Qty	Description
1	22085864	1	SUPPRESSOR, ARC	15	47499665	2	FUSE, 0.5A aM, 500V, 10x38mm, OEZ
2	23056328	3	BLOCK, POWER 1-POLE, 80A/690V	16	47499666	1	BREAKER, MINI-CIR 1.6A 1P S201-D1.6
3	23526478	1	BUS, GROUNDING-7 TAPS, SCHRACK IK021037	17	47499667	1	TRANSFORMER, 125VA 380/400/415V-50VA24V/75VA110V
4	23644677	1	SOCKET, DIN RAIL MOUNT	18	47499669	1	BASE, RELAY SCHRACK
5	23644743	1	RELAY, PLUG-IN, DPDT	19	47499689001	1	SWITCH, EMERGENCY STOP (LATCHING 2+1N/C)
6	23712301	1	BLOCK, AUX CONTACT 1N/O+1N/C ABB HK1-11	20	47500205	1	DECAL, FACIA XE-70
7	23770514	1	BREAKER, MINI-CIRCUIT 3A 1P S201-D3	21	47500509	1	CONNECTOR, 5.08, 9W
8	24141962	1	HOLDER, FUSE 2-POLE 10 X 38 MM	22	54612940	1	TERMINAL, END PLATE - ENTRELEC 118 368.16
9	24185209	1	PANEL, MOUNTING STARTER R4-11KW	23	54729546	2	CONNECTOR, 2 WAY
10	24468241	1	CONTACTOR, 9A AF09-30-10-12 (48-130V AC)	24	89205397	2	TERMINAL, END STOP - ENTRELEC
11	39186093	1	PLUG, 6 POSITION	25	93469625	24	TERMINAL, 35A M4/6 GREY - ENTRELEC 115116.07
12	39186101	3	PLUG, 4 POSITION	26	93469633	3	TERMINAL, EARTH M4/6.P
13	39242367	2	PLUG, 2 POSITION	27	93486470	1	RELAY,4P C/O 115VAC + BASE SCHRACK
14	47499664001	1	BREAKER, MOTOR 0.25-0.4A 3P MS116-0.4	28	47499690001	1	DRIVE, VSD 5.5kW

BACKPANEL 15HP, 220V60HZ, VSD, XE-70M



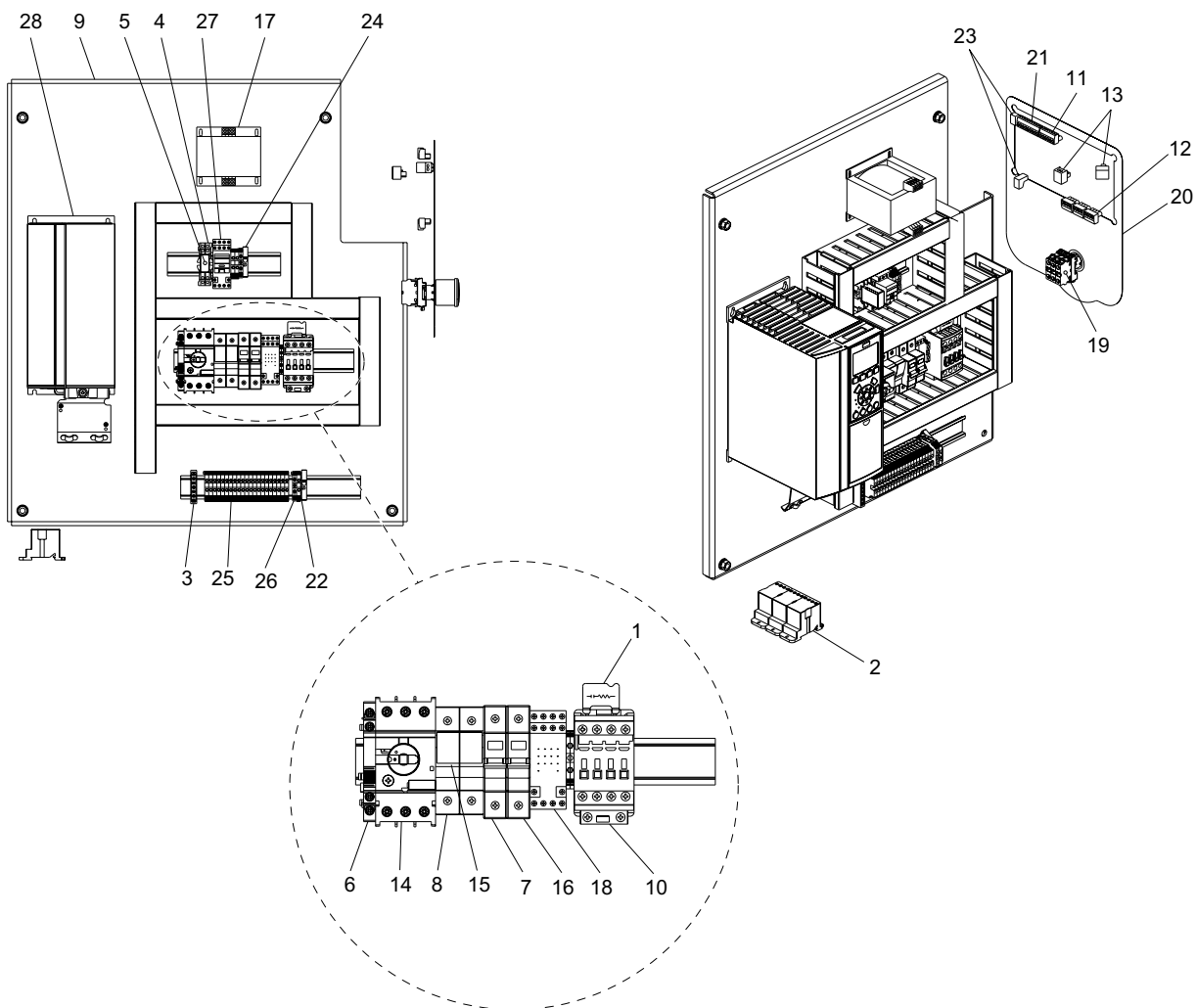
Item	Part No.	Qty	Description	Item	Part No.	Qty	Description
1	24185209	1	PANEL, MOUNTING STARTER R4-11KW	13	24521965	1	RELAY, PLUG-IN, DPDT
2	23056328	3	BLOCK, POWER 1-POLE, 80A/690V	14	24329161	1	SOCKET, RELAY FINGER SAFE 2 POLE, DOUBLE THROW
3	24592586	1	BREAKER, MOTOR 0.63-1.0A 3P MS116-1.0	15	47499669	1	BASE, RELAY SCHRACK
4	23712301	1	BLOCK, AUX CONTACT 1N/O+1N/C ABB HK1-11	16	93486470	1	RELAY,4P C/O 115VAC + BASE SCHRACK
5	22505788	1	HOLDER, FUSE 2-POLE (FINGER SAFE)	17	22085864	1	SUPPRESSOR, ARC
6	22269682	2	FUSE, TIME DELAY, CLASS CC, 1A, 600V, 200KAIC	18	32342115	2	BUS, ALUMINIUM GROUNDING (7 TAPS)
7	47499666	1	BREAKER, MINI-CIR 1.6A 1P S201-D1.6	19	39242367	2	PLUG, 2 POSITION
8	23770514	1	BREAKER, MINI-CIRCUIT 3A 1P S201-D3	20	47500509	1	CONNECTOR, 5.08, 9W
9	47526206001	1	TRANSFORMER,125VA 220/380/440-50VA24V/75VA110V	21	39186093	1	PLUG, 6 POSITION
10	24468241	1	CONTACTOR, 9A AF09-30-10-12 (48-130V AC)	22	54729546	2	CONNECTOR, 2 WAY
11	47499689001	1	SWITCH, EMERGENCY STOP (LATCHING 2+1N/C)	23	39186101	3	PLUG, 4 POSITION
12	47500205	1	DECAL, FACIA XE-70	24	93469633	3	TERMINAL, EARTH M4/6.P
				25	93469625	30	TERMINAL, 35A M4/6 GREY - ENTRELEC 115116.07
				26	54612940	1	TERMINAL, END PLATE - ENTRELEC 118 368.16
				27	89205397	2	TERMINAL, END STOP - ENTRELEC
				28	32342123	1	LUG, POWER GROUNDING

BACKPANEL 7.5HP, 460V60HZ, VSD, XE-70M



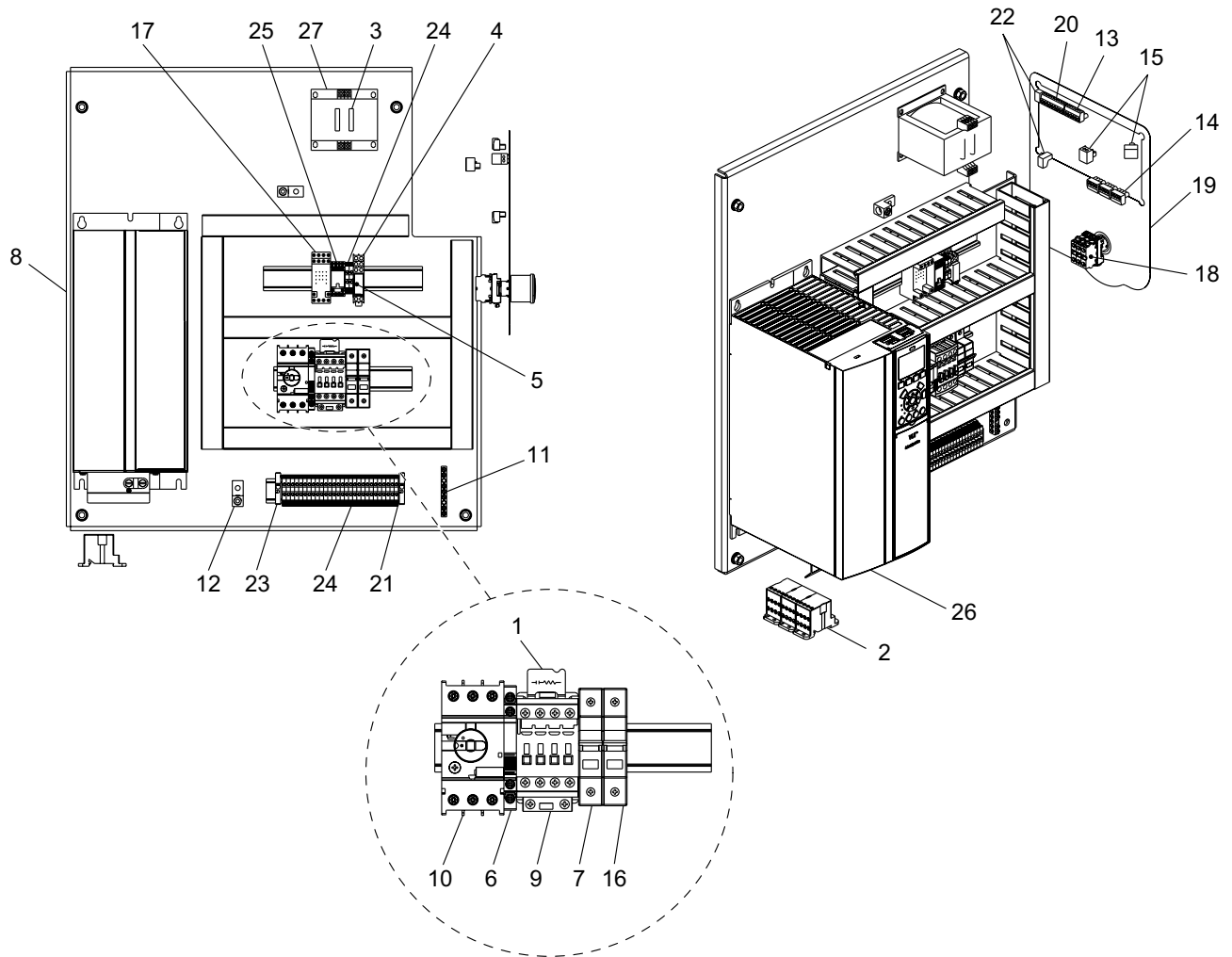
Item	Part No.	Qty	Description	Item	Part No.	Qty	Description
1	22085864	1	SUPPRESSOR, ARC	15	39242367	2	PLUG, 2 POSITION
2	23056328	3	BLOCK, POWER 1-POLE, 80A/690V	16	47499666	1	BREAKER, MINI-CIR 1.6A 1P S201-D1.6
3	23639552	2	FUSE, 1A(T) 6.3X32MM 500V	17	47499669	1	BASE, RELAY SCHRACK
4	24329161	1	SOCKET, RELAY FINGER SAFE 2 POLE, DOUBLE THROW	18	47499689001	1	SWITCH, EMERGENCY STOP (LATCHING 2+1N/C)
5	24521965	1	RELAY, PLUG-IN, DPDT	19	47500205	1	DECAL, FACIA XE-70
6	23712301	1	BLOCK, AUX CONTACT 1N/O+1N/C ABB HK1-11	20	47500509	1	CONNECTOR, 5.08, 9W
7	23770514	1	BREAKER, MINI-CIRCUIT 3A 1P S201-D3	21	54612940	1	TERMINAL, END PLATE - ENTRELEC 118 368.16
8	24185209	1	PANEL, MOUNTING STARTER R4-11KW	22	54729546	2	CONNECTOR, 2 WAY
9	24468241	1	CONTACTOR, 9A AF09-30-10-12 (48-130V AC)	23	89205397	2	TERMINAL, END STOP - ENTRELEC
10	24592560	1	BREAKER, MOTOR 0.4-0.63A 3P MS116-0.63	24	93469625	30	TERMINAL, 35A M4/6 GREY - ENTRELEC 115116.07
11	32342115	1	BUS, ALUMINIUM GROUNDING (7 TAPS)	25	93486470	1	RELAY, 4P C/O 115VAC + BASE SCHRACK
12	32342123	2	LUG, GROUNDING	26	47503744001	1	DRIVE, VSD IRV302P7K5T5E20H2
13	39186093	1	PLUG, 6 POSITION	27	47518259001	1	TRANSFORMER, 208/230/460/575V WITH FUSE BLOCKS
14	39186101	3	PLUG, 4 POSITION	28	47499690001	1	DRIVE

BACKPANEL 7.5KW, 400V, 50/60HZ, VSD, XE-70M



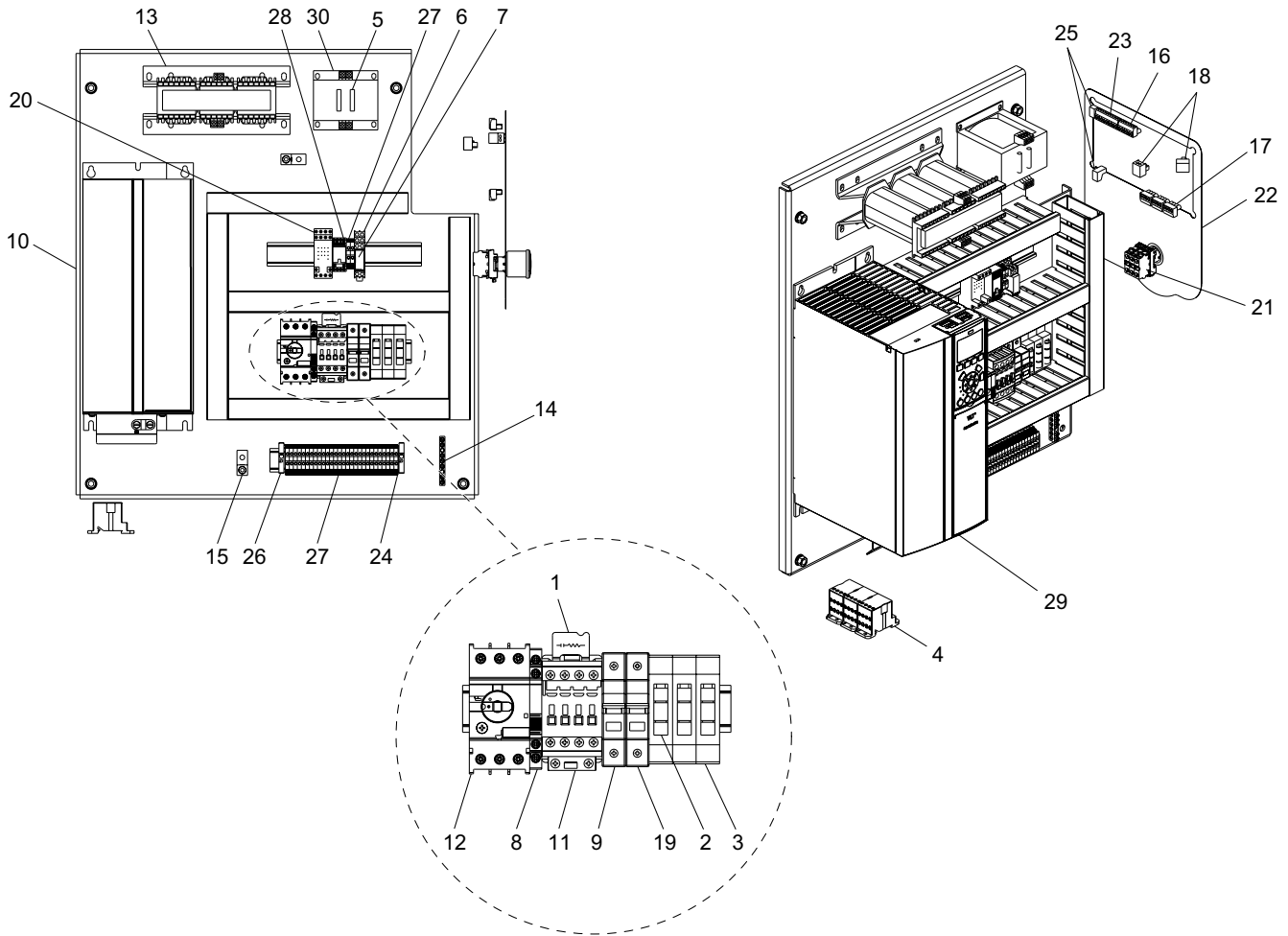
Item	Part No.	Qty	Description	Item	Part No.	Qty	Description
1	22085864	1	SUPPRESSOR, ARC	15	47499665	2	FUSE, 0.5A aM, 500V, 10x38mm, OEZ
2	23056328	3	BLOCK, POWER 1-POLE, 80A/690V	16	47499666	1	BREAKER, MINI-CIR 1.6A 1P S201-D1.6
3	23526478	1	BUS, GROUNDING-7 TAPS, SCHRACK IK021037	17	47499667	1	TRANSFORMER, 125VA 380/400/415V-50VA24V/75VA110V
4	23644677	1	SOCKET, DIN RAIL MOUNT	18	47499669	1	BASE, RELAY SCHRACK
5	23644743	1	RELAY, PLUG-IN, DPDT	19	47499689001	1	SWITCH, EMERGENCY STOP (LATCHING 2+1N/C)
6	23712301	1	BLOCK, AUX CONTACT 1N/O+1N/C ABB HK1-11	20	47500205	1	DECAL, FACIA XE-70
7	23770514	1	BREAKER, MINI-CIRCUIT 3A 1P S201-D3	21	47500509	1	CONNECTOR, 5.08, 9W
8	24141962	1	HOLDER, FUSE 2-POLE 10 X 38 MM	22	54612940	1	TERMINAL, END PLATE - ENTRELEC 118 368.16
9	24185209	1	PANEL, MOUNTING STARTER R4-11KW	23	54729546	2	CONNECTOR, 2 WAY
10	24468241	1	CONTACTOR, 9A AF09-30-10-12 (48-130V AC)	24	89205397	2	TERMINAL, END STOP - ENTRELEC
11	39186093	1	PLUG, 6 POSITION	25	93469625	24	TERMINAL, 35A M4/6 GREY - ENTRELEC 115116.07
12	39186101	3	PLUG, 4 POSITION	26	93469633	3	TERMINAL, EARTH M4/6.P
13	39242367	2	PLUG, 2 POSITION	27	93486470	1	RELAY,4P C/O 115VAC + BASE SCHRACK
14	47499664	1	BREAKER, MOTOR 0.25-0.4A 3P MS116-0.4	28	47501524001	1	DRIVE, VSD 7.5kW

BACKPANEL 10/15HP, 460V60HZ, VSD, XE-70M



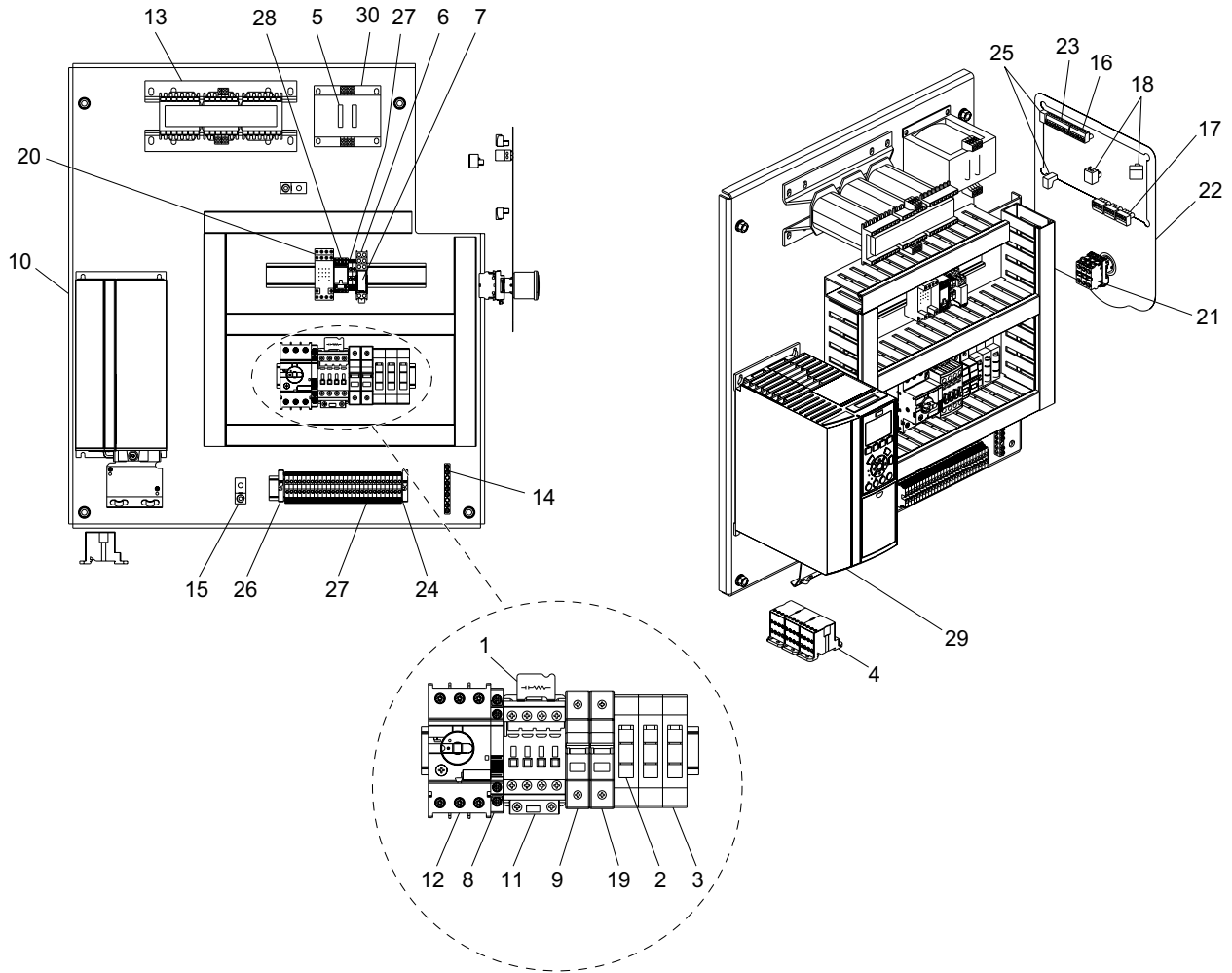
Item	Part No.	Qty	Description	Item	Part No.	Qty	Description
1	22085864	1	SUPPRESSOR, ARC	15	39242367	2	PLUG, 2 POSITION
2	23056328	3	BLOCK, POWER 1-POLE, 80A/690V	16	47499666	1	BREAKER, MINI-CIR 1.6A 1P S201-D1.6
3	23639552	2	FUSE, 1A(T) 6.3X32MM 500V	17	47499669	1	BASE, RELAY SCHRACK
4	24329161	1	SOCKET, RELAY FINGER SAFE 2 POLE, DOUBLE THROW	18	47499689001	1	SWITCH, EMERGENCY STOP (LATCHING 2+1N/C)
5	24521965	1	RELAY, PLUG-IN, DPDT	19	47500205	1	DECAL, FACIA XE-70
6	23712301	1	BLOCK, AUX CONTACT 1N/O+1N/C ABB HK1-11	20	47500509	1	CONNECTOR, 5.08, 9W
7	23770514	1	BREAKER, MINI-CIRCUIT 3A 1P S201-D3	21	54612940	1	TERMINAL, END PLATE - ENTRELEC 118 368.16
8	24185209	1	PANEL, MOUNTING STARTER R4-11KW	22	54729546	2	CONNECTOR, 2 WAY
9	24468241	1	CONTACTOR, 9A AF09-30-10-12 (48-130V AC)	23	89205397	2	TERMINAL, END STOP - ENTRELEC
10	24592560	1	BREAKER, MOTOR 0.4-0.63A 3P MS116-0.63	24	93469625	30	TERMINAL, 35A M4/6 GREY - ENTRELEC 115116.07
11	32342115	1	BUS, ALUMINIUM GROUNDING (7 TAPS)	25	93486470	1	RELAY, 4P C/O 115VAC + BASE SCHRACK
12	32342123	2	LUG, GROUNDING	26	47503743001	1	DRIVE, VSD IRV302P11KT5E20H2
13	39186093	1	PLUG, 6 POSITION	27	47518259001	1	TRANSFORMER, 208/230/460/575V WITH FUSE BLOCKS
14	39186101	3	PLUG, 4 POSITION				

BACKPANEL 10/15HP, 575V60HZ, VSD, XE-70M



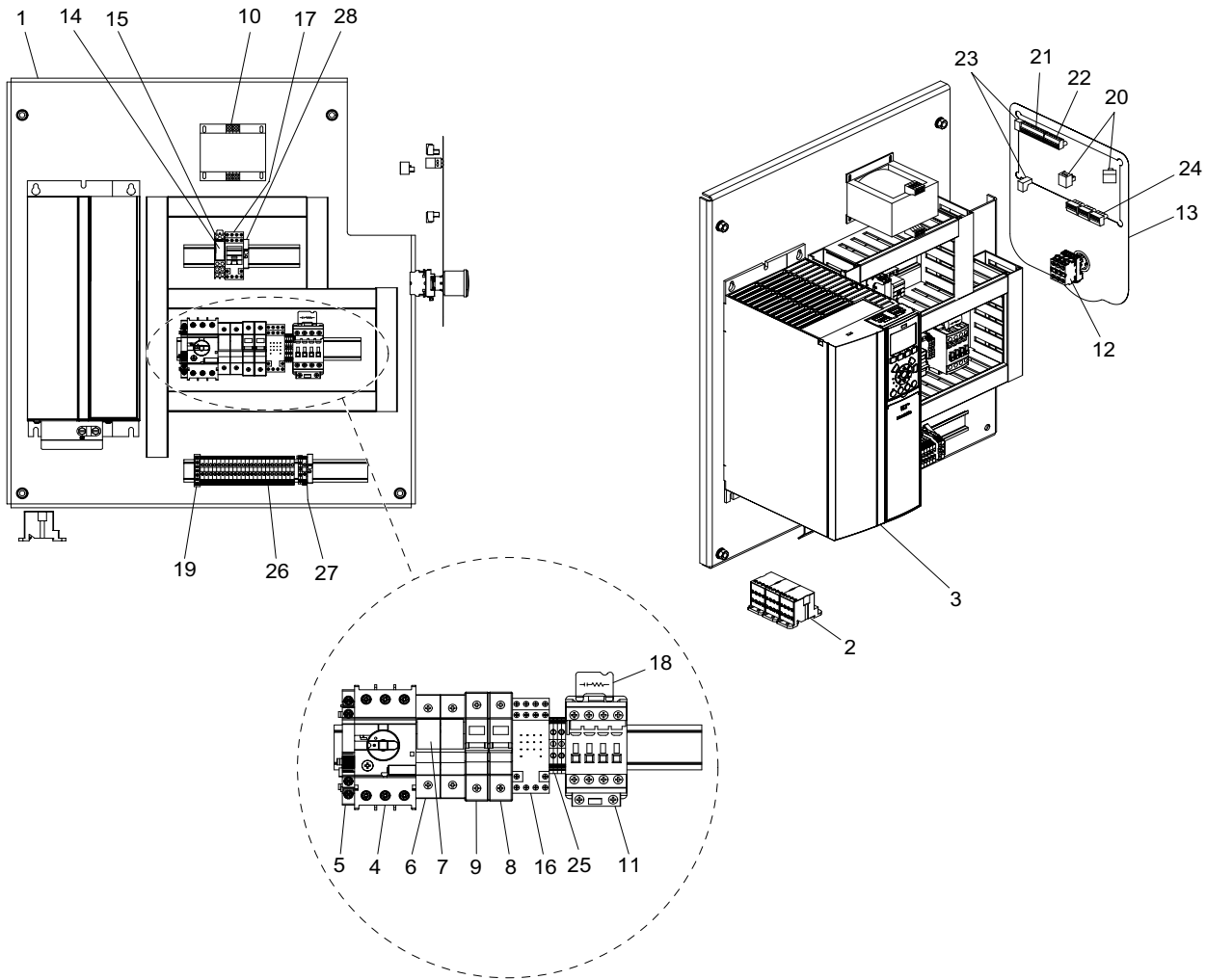
Item	Part No.	Qty	Description	Item	Part No.	Qty	Description
1	22085864	1	SUPPRESSOR, ARC	15	32342123	2	LUG, GROUNDING
2	22269682	3	FUSE, TIME DELAY, CLASS CC, 1A, 600V, 200KAIC	16	39186093	1	PLUG, 6 POSITION
3	22344253	1	HOLDER, 3-POLE FUSE (FINGER SAFE)	17	39186101	3	PLUG, 4 POSITION
4	23056328	3	BLOCK, POWER 1-POLE, 80A/690V	18	39242367	2	PLUG, 2 POSITION
5	23238066	2	FUSE, T - 0.5A, 6.3X32 MM	19	47499666	1	BREAKER, MINI-CIR 1.6A 1P S201-D1.6
6	24329161	1	SOCKET, RELAY FINGER SAFE 2 POLE, DOUBLE THROW	20	47499669	1	BASE, RELAY SCHRACK
7	24521965	1	RELAY, PLUG-IN, DPDT	21	47499689001	1	SWITCH, EMERGENCY STOP (LATCHING 2+1N/C)
8	23712301	1	BLOCK, AUX CONTACT 1N/O+1N/C ABB HK1-11	22	47500205	1	DECAL, FACIA XE-70
9	23770514	1	BREAKER, MINI-CIRCUIT 3A 1P S201-D3	23	47500509	1	CONNECTOR, 5.08, 9W
10	24185209	1	PANEL, MOUNTING STARTER R4-11KW	24	54612940	1	TERMINAL, END PLATE - ENTRELEC 118 368.16
11	24468241	1	CONTACTOR, 9A AF09-30-10-12 (48-130V AC)	25	54729546	2	CONNECTOR, 2 WAY
12	24592586	1	BREAKER, MOTOR 0.63-1.0A 3P MS116-1.0	26	89205397	2	TERMINAL, END STOP - ENTRELEC
13	24592594	1	TRANSFORMER, 3PH 400VA 575/230V	27	93469625	30	TERMINAL, 35A M4/6 GREY - ENTRELEC 115116.07
14	32342115	1	BUS, ALUMINIUM GROUNDING (7 TAPS)	28	93486470	1	RELAY, 4P C/O 115VAC + BASE SCHRACK
				29	47504398001	1	DRIVE, VSD IRV302P11KT6E20HX
				30	47518259001	1	TRANSFORMER, 208/230/460/575V WITH FUSE BLOCKS

BACKPANEL 7.5HP, 575V60HZ, VSD, XE-70M



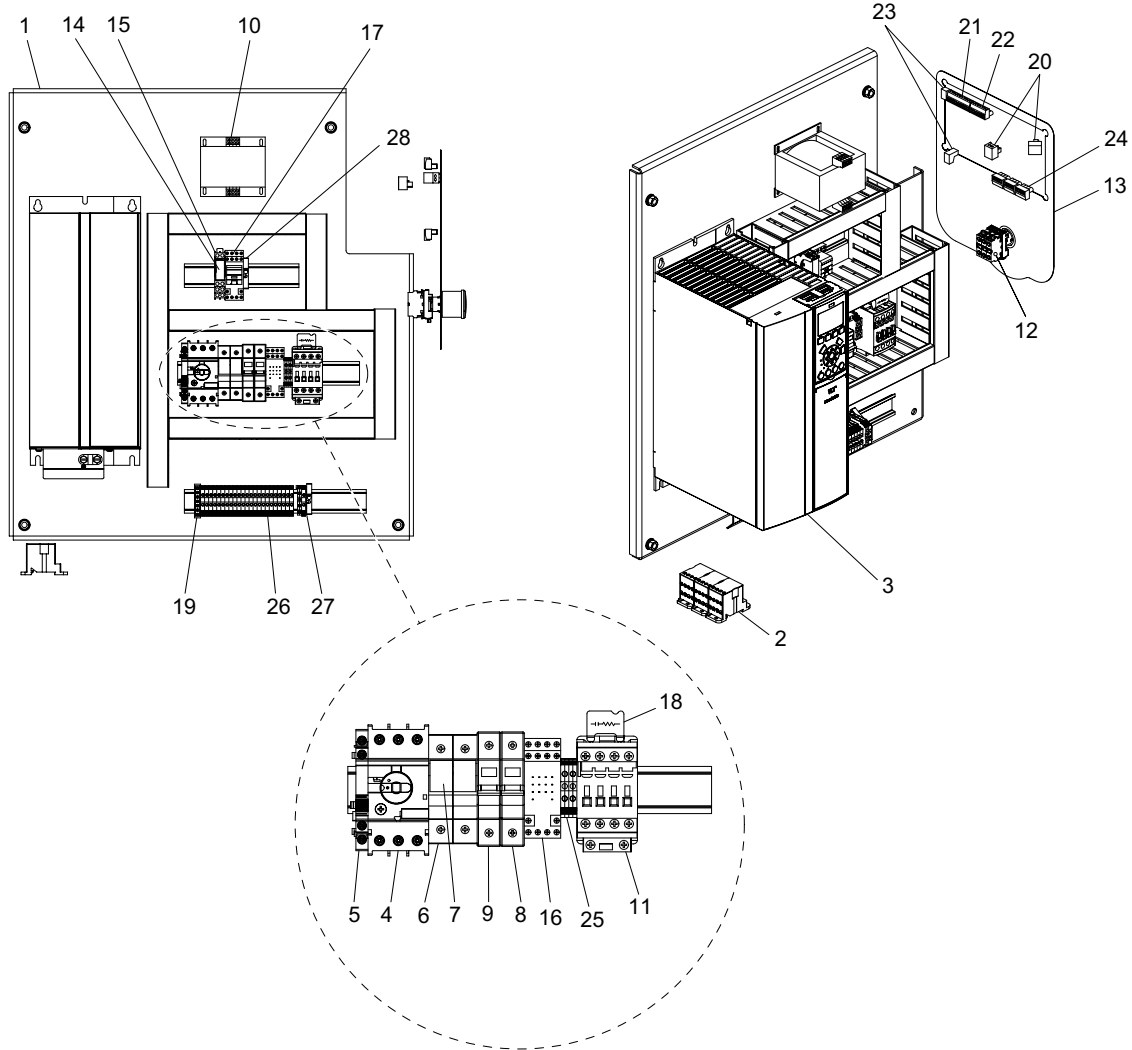
Item	Part No.	Qty	Description	Item	Part No.	Qty	Description
1	22085864	1	SUPPRESSOR, ARC	15	32342123	2	LUG, GROUNDING
2	22269682	3	FUSE, TIME DELAY, CLASS CC, 1A, 600V, 200KAIC	16	39186093	1	PLUG, 6 POSITION
3	22344253	1	HOLDER, 3-POLE FUSE (FINGER SAFE)	17	39186101	3	PLUG, 4 POSITION
4	23056328	3	BLOCK, POWER 1-POLE, 80A/690V	18	39242367	2	PLUG, 2 POSITION
5	23238066	2	FUSE, T - 0.5A, 6.3X32 MM	19	47499666	1	BREAKER, MINI-CIR 1.6A 1P S201-D1.6
6	24329161	1	SOCKET, RELAY FINGER SAFE 2 POLE, DOUBLE THROW	20	47499669	1	BASE, RELAY SCHRACK
7	24521965	1	RELAY, PLUG-IN, DPDT	21	47499689001	1	SWITCH, EMERGENCY STOP (LATCHING 2+1N/C)
8	23712301	1	BLOCK, AUX CONTACT 1N/O+1N/C ABB HK1-11	22	47500205	1	DECAL, FACIA XE-70
9	23770514	1	BREAKER, MINI-CIRCUIT 3A 1P S201-D3	23	47500509	1	CONNECTOR, 5.08, 9W
10	24185209	1	PANEL, MOUNTING STARTER R4-11KW	24	54612940	1	TERMINAL, END PLATE - ENTRELEC 118 368.16
11	24468241	1	CONTACTOR, 9A AF09-30-10-12 (48-130V AC)	25	54729546	2	CONNECTOR, 2 WAY
12	24592586	1	BREAKER, MOTOR 0.63-1.0A 3P MS116-1.0	26	89205397	2	TERMINAL, END STOP - ENTRELEC
13	24592594	1	TRANSFORMER, 3PH 400VA 575/230V	27	93469625	30	TERMINAL, 35A M4/6 GREY - ENTRELEC 115116.07
14	32342115	1	BUS, ALUMINIUM GROUNDING (7 TAPS)	28	93486470	1	RELAY, 4P C/O 115VAC + BASE SCHRACK
				29	47504435001	1	DRIVE, VSD IRV302P5K5T6E20HX
				30	47518259001	1	TRANSFORMER, 208/230/460/575V WITH FUSE BLOCKS

BACKPANEL 5.5KW, 230V, 50/60HZ, VSD RFI, XE-70M



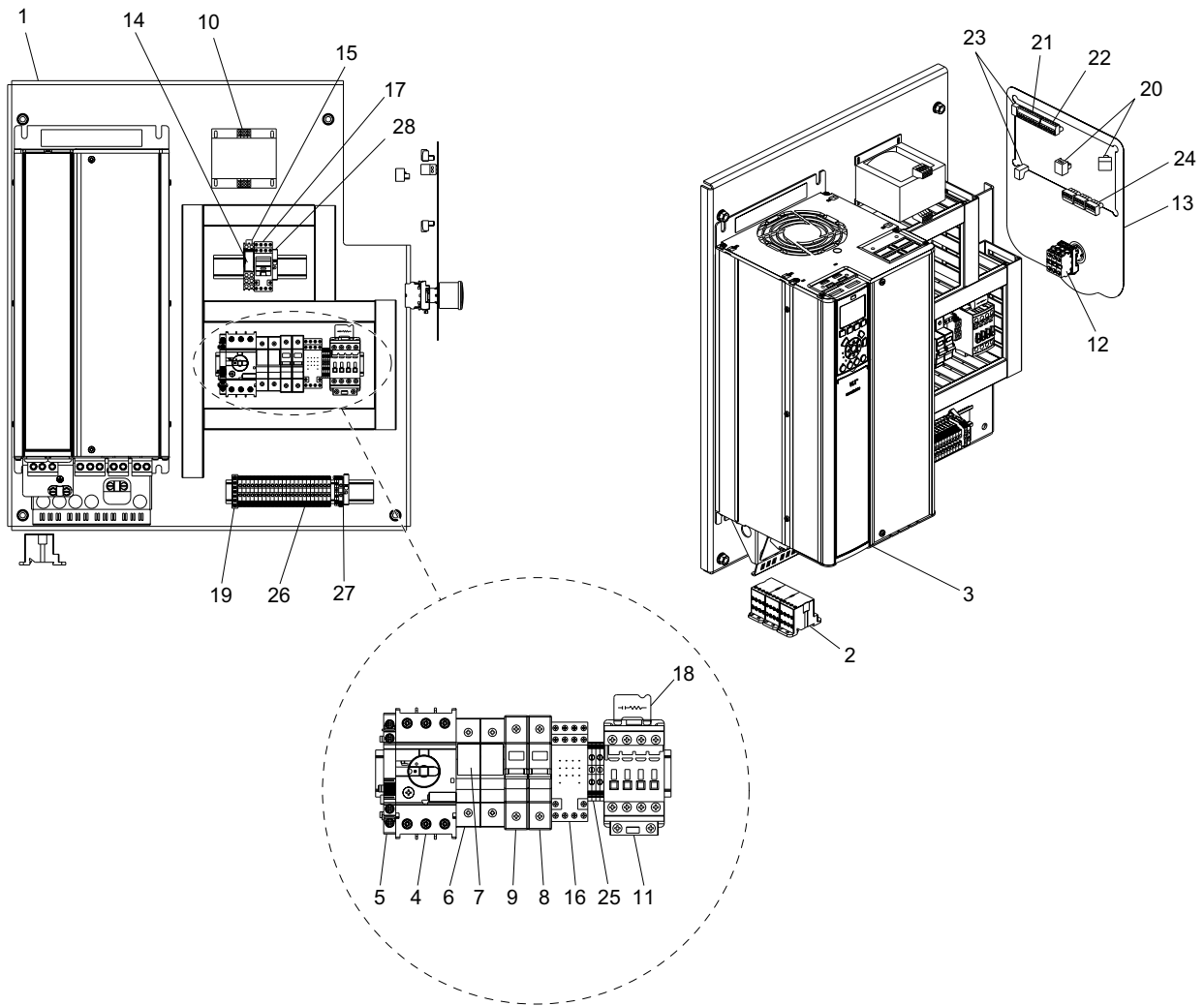
Item	Part No.	Qty	Description	Item	Part No.	Qty	Description
1	24185209	1	PANEL, MOUNTING STARTER R4-11KW	13	47500205	1	DECAL, FACIA XE-70
2	23056328	3	BLOCK, POWER 1-POLE, 80A/690V	14	24521965	1	RELAY, PLUG-IN, DPDT
3	47512534001	1	DRIVE, VSD IRV302P5K5T2E20H1	15	24329161	1	SOCKET, RELAY FINGER SAFE 2 POLE, DOUBLE THROW
4	24592586	1	BREAKER, MOTOR 0.63-1.0A 3P MS116-1.0	16	47499669	1	BASE, RELAY SCHRACK
5	23712301	1	BLOCK, AUX CONTACT 1N/O+1N/C ABB HK1-11	17	93486470	1	RELAY,4P C/O 115VAC + BASE SCHRACK
6	24141962	1	HOLDER, FUSE 2-POLE 10 X 38 MM	18	22085864	1	SUPPRESSOR, ARC
7	47521061001	2	FUSE, 1A aM, 500V, 10x38mm, OEZ	19	23526478	1	BUS, GROUNDING-7 TAPS, SCHRACK IK021037
8	47499666	1	BREAKER, MINI-CIR 1.6A 1P S201-D1.6	20	39242367	2	PLUG, 2 POSITION
9	23770514	1	BREAKER, MINI-CIRCUIT 3A 1P S201-D3	21	47500509	1	CONNECTOR, 5.08, 9W
10	47521062001	1	TRANSFORMER, 125VA 220/230V-50VA24V/75VA110V	22	39186093	1	PLUG, 6 POSITION
11	24468241	1	CONTACTOR, 9A AF09-30-10-12 (48-130V AC)	23	54729546	2	CONNECTOR, 2 WAY
12	47499689001	1	SWITCH, EMERGENCY STOP (LATCHING 2+1N/C)	24	39186101	3	PLUG, 4 POSITION
				25	93469633	3	TERMINAL, EARTH M4/6.P
				26	93469625	24	TERMINAL, 35A M4/6 GREY - ENTRELEC 115116.07
				27	54612940	1	TERMINAL, END PLATE - ENTRELEC 118 368.16
				28	89205397	2	TERMINAL, END STOP - ENTRELEC

BACKPANEL 7.5KW, 230V, 50/60HZ, VSD RFI , XE-70M



Item	Part No.	Qty	Description	Item	Part No.	Qty	Description
1	24185209	1	PANEL, MOUNTING STARTER R4-11KW	13	47500205	1	DECAL, FACIA XE-70
2	23056328	3	BLOCK, POWER 1-POLE, 80A/690V	14	24521965	1	RELAY, PLUG-IN, DPDT
3	47512537001	1	DRIVE, VSD IRV302P7K5T2E20H1	15	24329161	1	SOCKET, RELAY FINGER SAFE 2 POLE, DOUBLE THROW
4	24592586	1	BREAKER, MOTOR 0.63-1.0A 3P MS116-1.0	16	47499669	1	BASE, RELAY SCHRACK
5	23712301	1	BLOCK, AUX CONTACT 1N/O+1N/C ABB HK1-11	17	93486470	1	RELAY,4P C/O 115VAC + BASE SCHRACK
6	24141962	1	HOLDER, FUSE 2-POLE 10 X 38 MM	18	22085864	1	SUPPRESSOR, ARC
7	47521061001	2	FUSE, 1A aM, 500V, 10x38mm, OEZ	19	23526478	1	BUS, GROUNDING-7 TAPS, SCHRACK IK021037
8	47499666	1	BREAKER, MINI-CIR 1.6A 1P S201-D1.6	20	39242367	2	PLUG, 2 POSITION
9	23770514	1	BREAKER, MINI-CIRCUIT 3A 1P S201-D3	21	47500509	1	CONNECTOR, 5.08, 9W
10	47521062001	1	TRANSFORMER, 125VA 220/230V-50VA24V/75VA110V	22	39186093	1	PLUG, 6 POSITION
11	24468241	1	CONTACTOR, 9A AF09-30-10-12 (48-130V AC)	23	54729546	2	CONNECTOR, 2 WAY
12	47499689001	1	SWITCH, EMERGENCY STOP (LATCHING 2+1N/C)	24	39186101	3	PLUG, 4 POSITION
				25	93469633	3	TERMINAL, EARTH M4/6.P
				26	93469625	24	TERMINAL, 35A M4/6 GREY - ENTRELEC 115116.07
				27	54612940	1	TERMINAL, END PLATE - ENTRELEC 118 368.16
				28	89205397	2	TERMINAL, END STOP - ENTRELEC

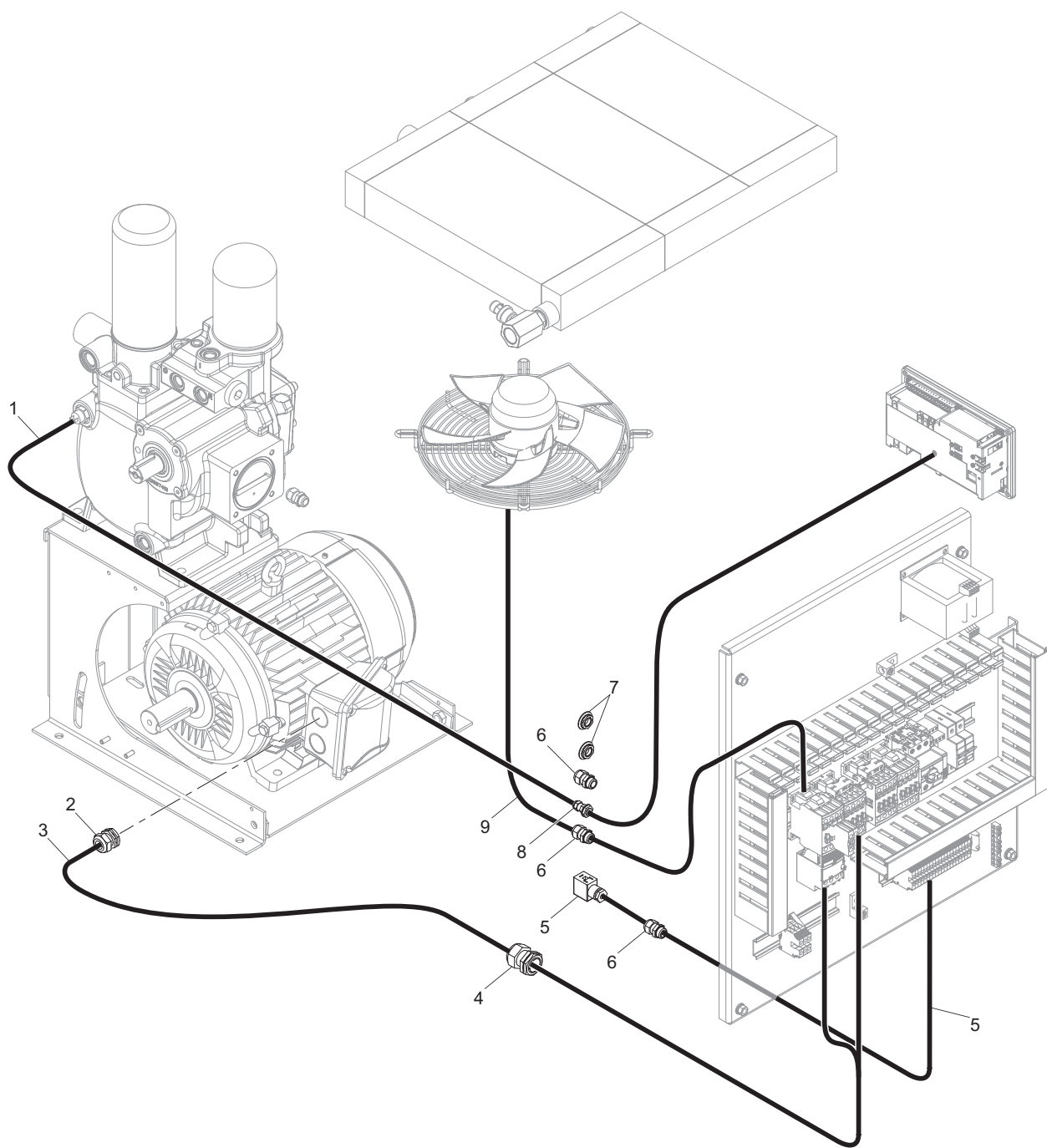
BACKPANEL 11KW, 230V, 50/60HZ, VSD RFI, XE-70M



Item	Part No.	Qty	Description	Item	Part No.	Qty	Description
1	24185209	1	PANEL, MOUNTING STARTER R4-11KW	13	47500205	1	DECAL, FACIA XE-70
2	23056328	3	BLOCK, POWER 1-POLE, 80A/690V	14	24521965	1	RELAY, PLUG-IN, DPDT
3	47512540001	1	DRIVE, VSD IRV302P11KT2E20H1	15	24329161	1	SOCKET, RELAY FINGER SAFE 2 POLE, DOUBLE THROW
4	24592586	1	BREAKER, MOTOR 0.63-1.0A 3P MS116-1.0	16	47499669	1	BASE, RELAY SCHRACK
5	23712301	1	BLOCK, AUX CONTACT 1N/O+1N/C ABB HK1-11	17	93486470	1	RELAY,4P C/O 115VAC + BASE SCHRACK
6	24141962	1	HOLDER, FUSE 2-POLE 10 X 38 MM	18	22085864	1	SUPPRESSOR, ARC
7	47521061001	2	FUSE, 1A aM, 500V, 10x38mm, OEZ	19	23526478	1	BUS, GROUNDING-7 TAPS, SCHRACK IK021037
8	47499666	1	BREAKER, MINI-CIR 1.6A 1P S201-D1.6	20	39242367	2	PLUG, 2 POSITION
9	23770514	1	BREAKER, MINI-CIRCUIT 3A 1P S201-D3	21	47500509	1	CONNECTOR, 5.08, 9W
10	47521062001	1	TRANSFORMER, 125VA 220/230V-50VA24V/75VA110V	22	39186093	1	PLUG, 6 POSITION
11	24468241	1	CONTACTOR, 9A AF09-30-10-12 (48-130V AC)	23	54729546	2	CONNECTOR, 2 WAY
12	47499689001	1	SWITCH, EMERGENCY STOP (LATCHING 2+1N/C)	24	39186101	3	PLUG, 4 POSITION
				25	93469633	3	TERMINAL, EARTH M4/6.P
				26	93469625	24	TERMINAL, 35A M4/6 GREY - ENTRELEC 115116.07
				27	54612940	1	TERMINAL, END PLATE - ENTRELEC 118 368.16
				28	89205397	2	TERMINAL, END STOP - ENTRELEC

BLANK PAGE

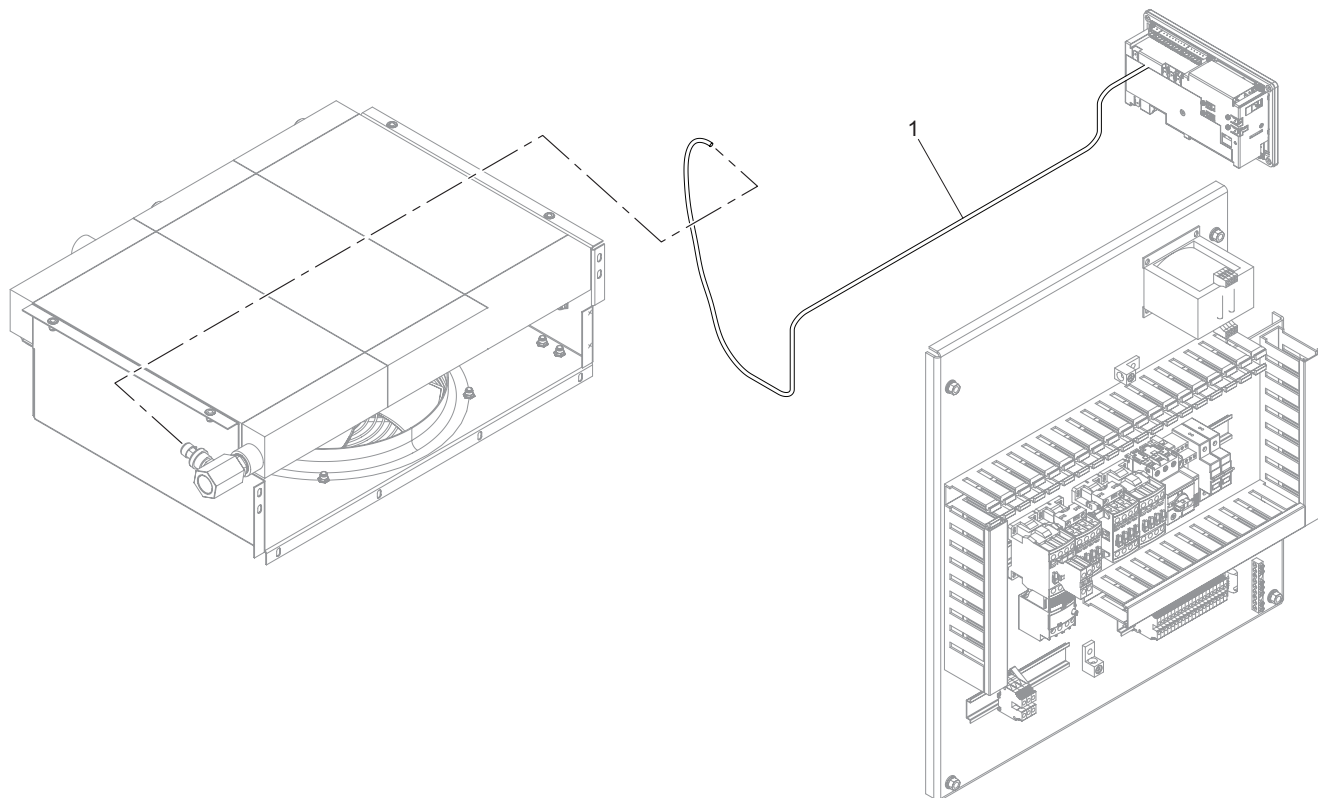
FIXED SPEED GENERAL CABLES ASSEMBLY DRAWING



FIXED SPEED GENERAL CABLES ASSEMBLY PARTS LIST

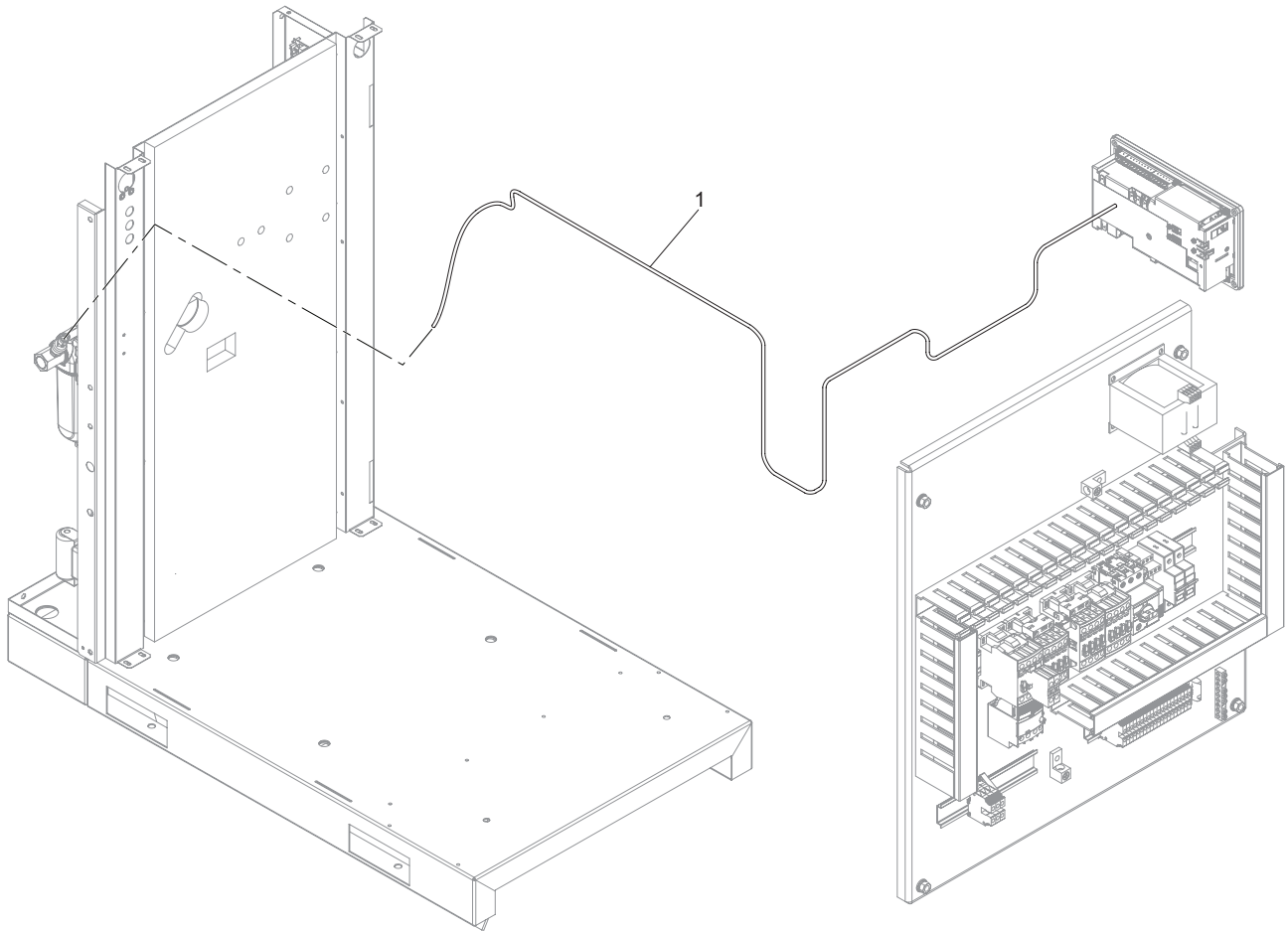
Item	Part No.	Qty	Description	Item	Part No.	Qty	Description
1	47504394001	1	CABLE, ASSY PT100 - (Xe-50) (CAMPBELLSVILLE (NORTH AMERICA) AND CURITIBA (SOUTH AMERICA))	3	24547929	1	CABLE, ASSY MOTOR - FS S/D 208/230/460V (CAMPBELLSVILLE (NORTH AMERICA))
	47500671001	1	CABLE, ASSEMBLY pt100 SENSOR - (Xe-50) (UNICOV (EUROPE))		47520285001	1	CABLE, ASSY MOTOR - FS 230V (UNICOV (EUROPE))
2	22376776	1	GLAND, CABLE		47499671001	1	CABLE, ASSY MOTOR - FS 400V (UNICOV (EUROPE))
3	47519004001	1	CABLE, ASSY MOTOR DOL- FS DOL 575V (CAMPBELLSVILLE (NORTH AMERICA))	4	22501720	1	GLAND, CABLE
	47522822001	1	CABLE, ASSY MOTOR DOL- FS DOL 208/230/460V (CAMPBELLSVILLE (NORTH AMERICA))	5	47504393001	1	CABLE, ASSY 1SV (CAMPBELLSVILLE (NORTH AMERICA) AND CURITIBA (SOUTH AMERICA))
	24547937	1	CABLE, ASSY MOTOR 1PH - FS 1ph 208/230V (CAMPBELLSVILLE (NORTH AMERICA))		47499672001	1	CABLE, ASSEMBLY 1SV SOLENOID (UNICOV (EUROPE))
	24547929	1	CABLE, ASSY MOTOR - FS 220V (CURITIBA (SOUTH AMERICA))	6	23635816	3	GLAND, CABLE
	47504392001	1	CABLE, ASSY MOTOR - FS 380/440V (CURITIBA (SOUTH AMERICA))	7	23745995	2	PLUG
	47519050001	1	CABLE, ASSY MOTOR - FS S/D 575V (CAMPBELLSVILLE (NORTH AMERICA))	8	39173927	1	GLAND, CABLE
				9	24364184	1	CABLE, FAN (UNICOV (EUROPE))
					47502717001	1	CABLE, FAN (CAMPBELLSVILLE (NORTH AMERICA) AND CURITIBA (SOUTH AMERICA))

**TRANSDUCER CABLE ASSEMBLY (NO RECEIVER, NO DRYER, FS)
DRAWING AND PARTS LIST**



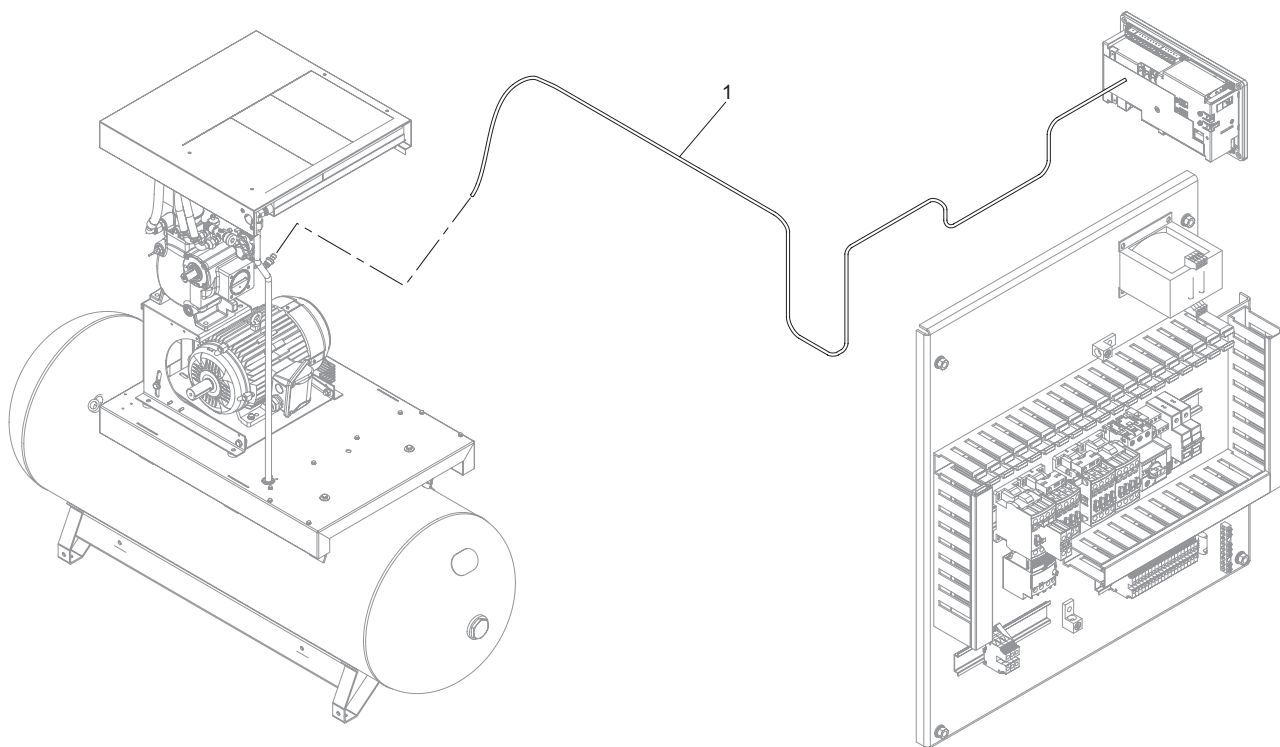
Item	Part No.	Qty	Description	Item	Part No.	Qty	Description
1	47522135001	1	CABLE, PRESSURE TRANSDUCER				

**TRANSDUCER CABLE ASSEMBLY (NO RECEIVER, WITH DRYER, FS)
DRAWING AND PARTS LIST**



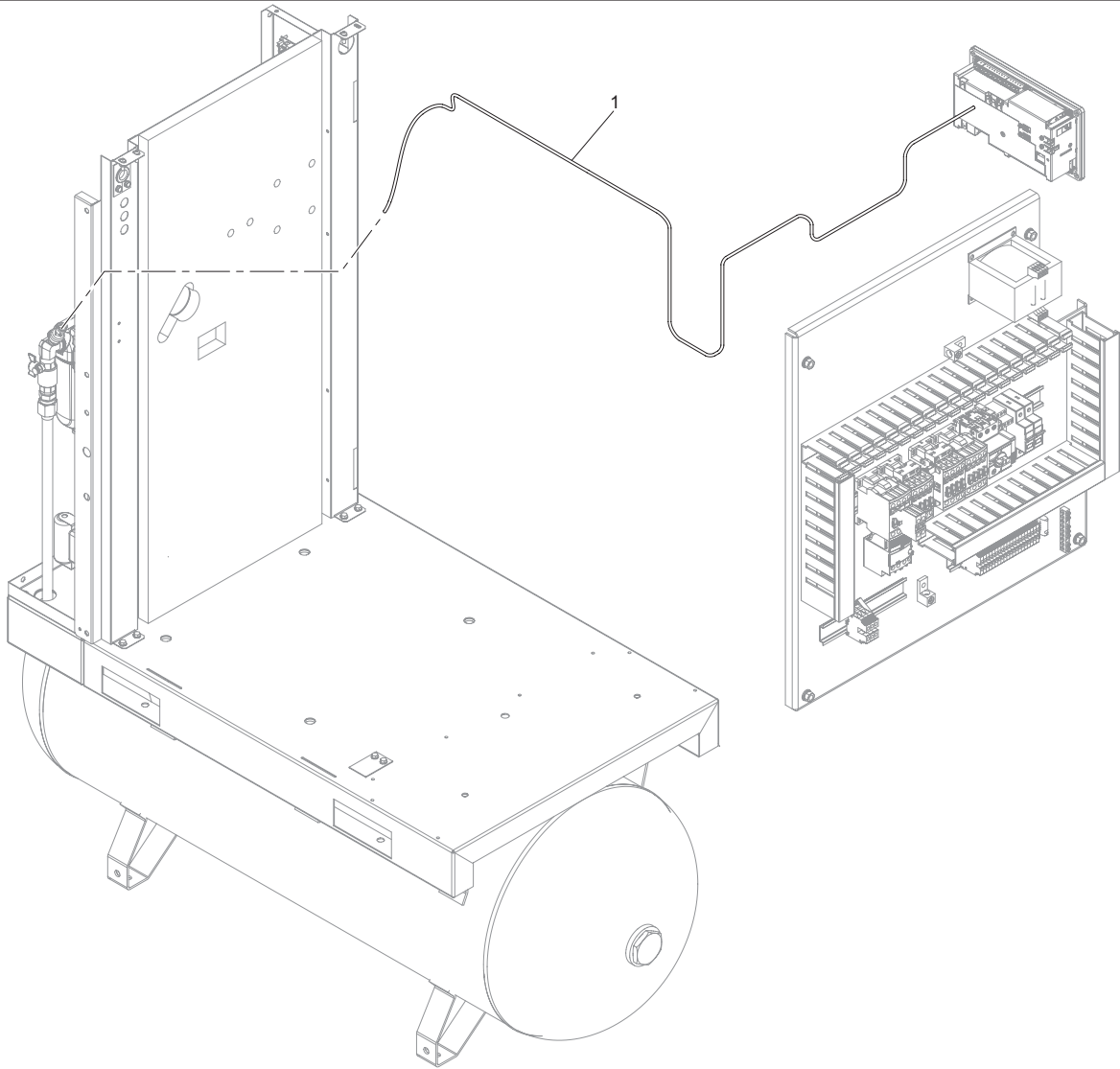
Item	Part No.	Qty	Description	Item	Part No.	Qty	Description
1	47522134001	1	CABLE, PRESSURE TRANSDUCER				

TRANSDUCER CABLE ASSEMBLY (RECEIVER, NO DRYER, FS) DRAWING AND PARTS LIST



Item	Part No.	Qty	Description	Item	Part No.	Qty	Description
1	47522135001	1	CABLE, PRESSURE TRANSDUCER				

TRANSDUCER CABLE ASSEMBLY (RECEIVER, WITH DRYER, FS) DRAWING AND PARTS LIST

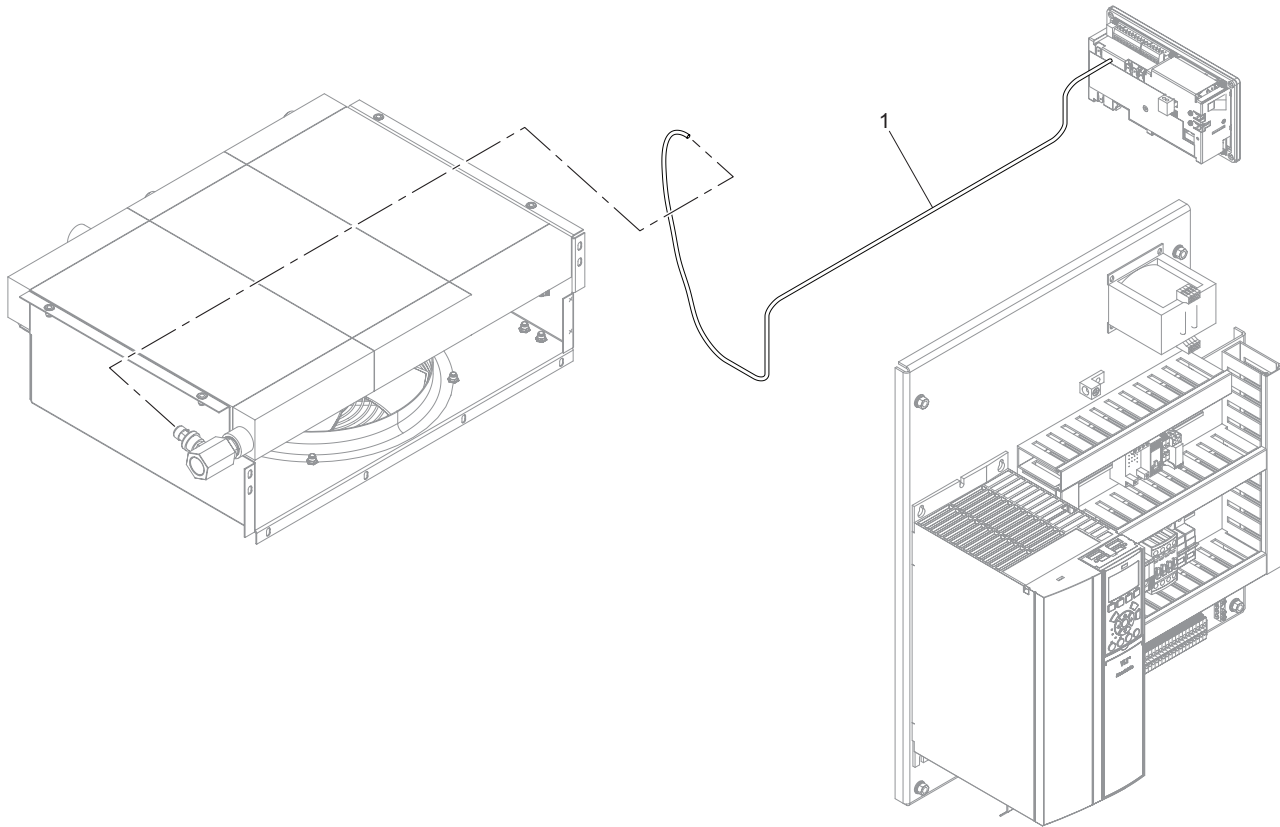


Item	Part No.	Qty	Description	Item	Part No.	Qty	Description
1	47522134001	1	CABLE, PRESSURE TRANSDUCER				

VSD GENERAL CABLES ASSEMBLY PARTS LIST

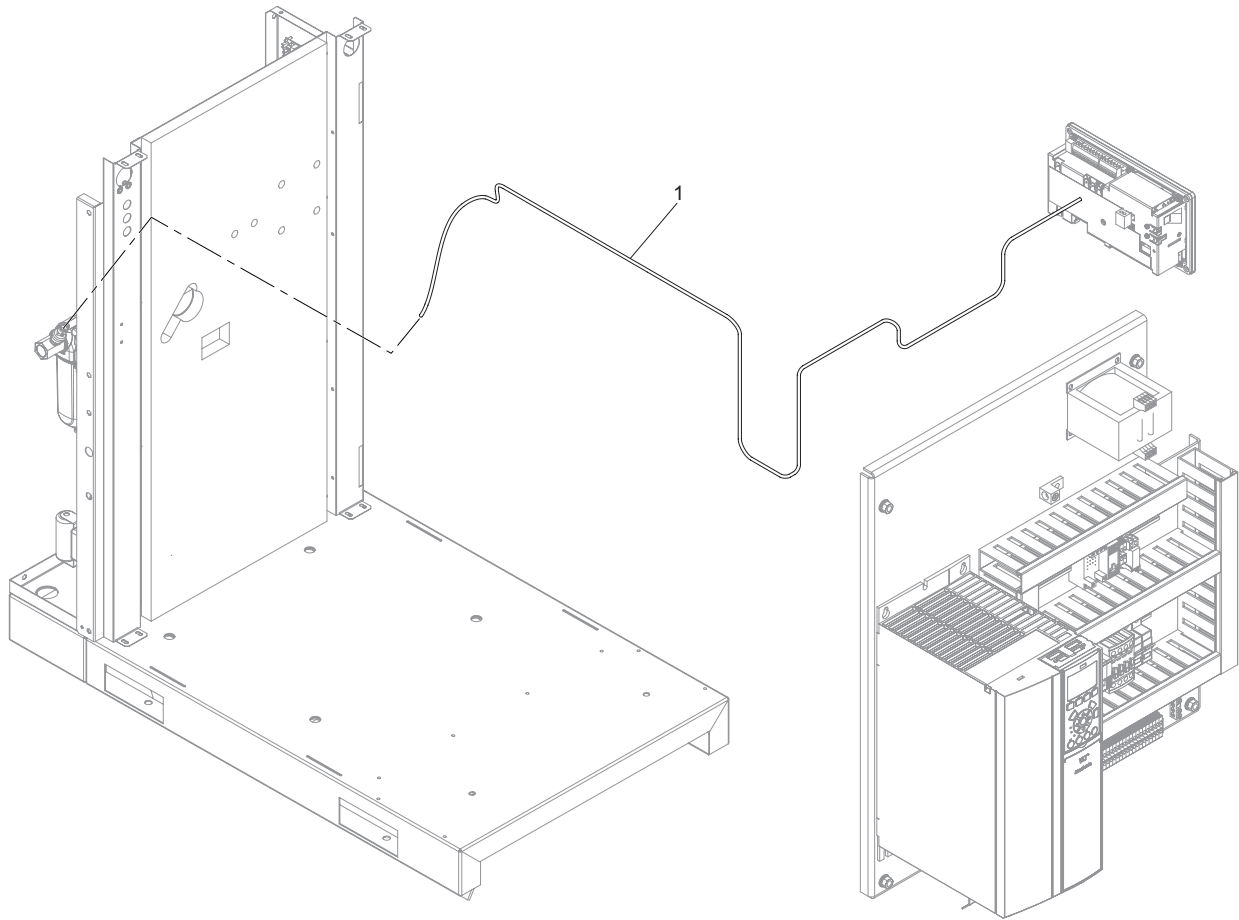
Item	Part No.	Qty	Description	Item	Part No.	Qty	Description	
1	23522246	1	SENSOR, TEMPERATURE THERMISTOR	8	39173927	2	GLAND, CABLE	
2	22376776	1	GLAND, CABLE	9	24364184	1	FAN, AXIAL DIA 300MM 400V 3HP EBMPAPST (UNICOV (EUROPE))	
3	47504383001	1	CABLE, ASSY MOTOR - VSD 380/440V (UNICOV (EUROPE))		9	47502717001	1	FAN, AXIAL DIA 300MM TRIVOLTAGE 60HZ 3PH (CAMPBELLSVILLE (NORTH AMERICA) AND CURITIBA (SOUTH AMERICA))
	24547911	1	CABLE, ASSY MOTOR - VSD 220V (UNICOV (EUROPE))	10*		47517230001	1	CABLE, COMMUNICATION MODBUS
	47522824001	1	CABLE, ASSY MOTOR - VSD 460V, 575V (CAMPBELLSVILLE (NORTH AMERICA))	11	7509146001	1	CABLE, VSD MOTOR THERMOCONTACT (UNICOV (EUROPE))	
	47522823001	1	CABLE, ASSY MOTOR - VSD 208/230V (CAMPBELLSVILLE (NORTH AMERICA))		11	47509145001	1	CABLE, VSD MOTOR THERMOCONTACT (CAMPBELLSVILLE (NORTH AMERICA) AND CURITIBA (SOUTH AMERICA))
	47520284001	1	CABLE, ASSY MOTOR - VSD 230V CURITIBA ((SOUTH AMERICA))			12	47499693001	1
47499692001	1	CABLE, ASSY MOTOR - VSD 400V ((SOUTH AMERICA))	12	47504384001	1		CABLE, VSD CONTROL (CAMPBELLSVILLE (NORTH AMERICA) AND CURITIBA (SOUTH AMERICA))	
4	22501720	1	GLAND, CABLE	* COMMUNICATION CABLE FOR AMERICAS STARTERS ONLY.				
5	47504393001	1	CABLE, ASSY 1SV (CAMPBELLSVILLE (NORTH AMERICA) AND CURITIBA (SOUTH AMERICA))					
	47499672001	1	CABLE, ASSEMBLY 1SV (UNICOV (EUROPE))					
6	23635816	3	GLAND, CABLE					
7	23745995	2	PLUG					

**TRANSDUCER CABLE ASSEMBLY (NO RECEIVER, NO DRYER, VSD)
DRAWING AND PARTS LIST**



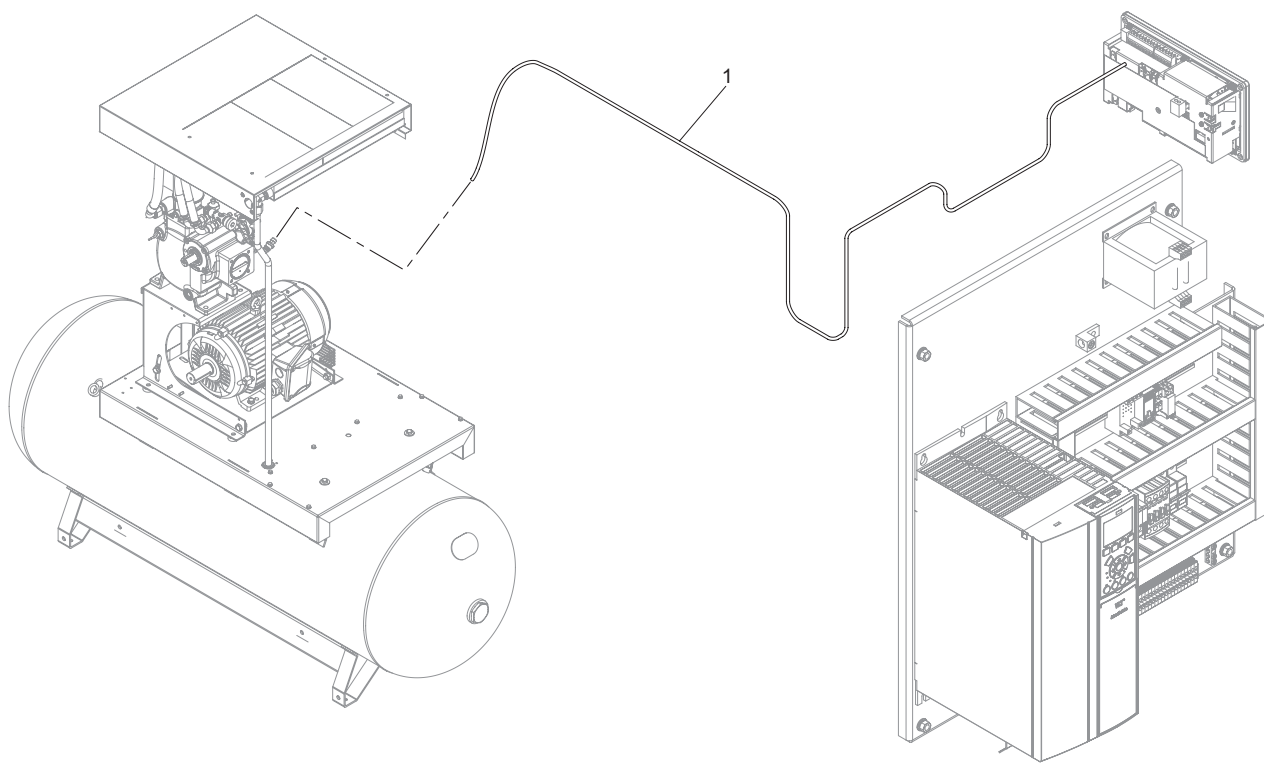
Item	Part No.	Qty	Description	Item	Part No.	Qty	Description
1	47522135001	1	CABLE, PRESSURE TRANSDUCER				

**TRANSDUCER CABLE ASSEMBLY (NO RECEIVER, WITH DRYER, VSD)
DRAWING AND PARTS LIST**



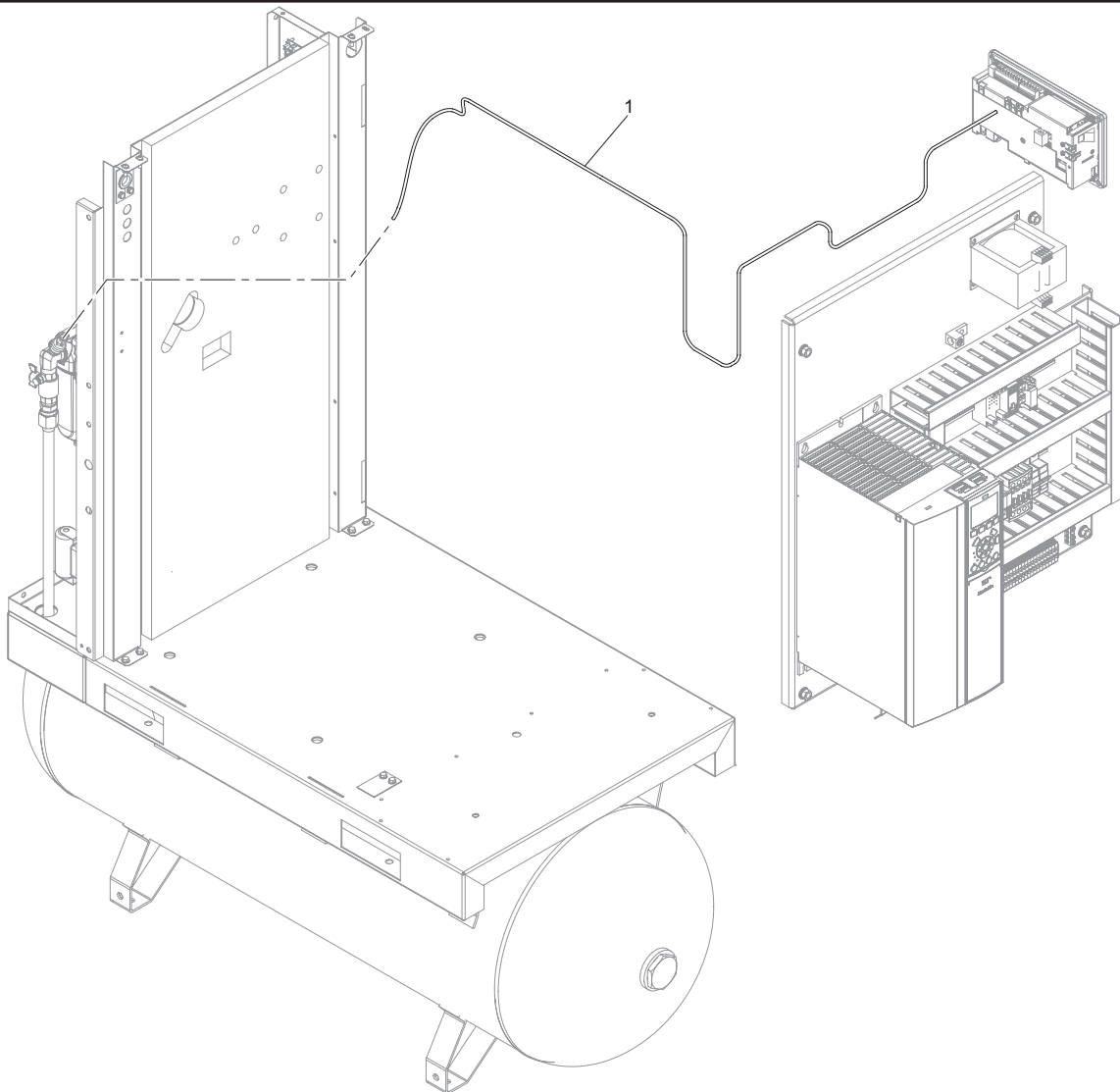
Item	Part No.	Qty	Description	Item	Part No.	Qty	Description
1	47522134001	1	CABLE, PRESSURE TRANSDUCER				

TRANSDUCER CABLE ASSEMBLY (RECEIVER, NO DRYER, VSD) DRAWING AND PARTS LIST



Item	Part No.	Qty	Description	Item	Part No.	Qty	Description
1	47522135001	1	CABLE, PRESSURE TRANSDUCER				

TRANSDUCER CABLE ASSEMBLY (RECEIVER, WITH DRYER, VSD) DRAWING AND PARTS LIST



Item	Part No.	Qty	Description	Item	Part No.	Qty	Description
1	47522134001	1	CABLE, PRESSURE TRANSDUCER				

RECOMMENDED PARTS LIST

O-RINGS		
CCN	DESCRIPTION	LOCATION
95022372	O-RING	CE55NX AIREND, REAR BEARING COVER SEAL
95022133	O-RING 3/4 X 1 X 1/8	CE55NX AIREND, ROTOR HOUSING CROSS DRILL SEAL
95022323	O-RING STANDARD -235*	CE55NX AIREND, INLET VALVE MOUNTING
95022117	O-RING STANDARD SPECIAL BOSS TUBE FITTING INCH	CE55NX AIREND, SEAL HOUSING
95365383	O-RING, STANDARD ID 9.025 INCH	CE55NX AIREND, ROTOR HOUSING/REAR BEARING HOUSING OUTER FLANGE
95026944	O-RING,4-7/8X5-1/4X3/16	CE55NX AIREND, ROTOR HOUSING SEAL
96759295	O-RING , M12 X 1.5 FLUOROCARBON	TEMPERATURE SENSOR (XE-70) 23522246
96957105	O-RING FOR 5/8 ORFS (20A11E2M016)	COOLER, OIL COOLER IN AND OUT CONNECTIONS
95025466	O-RING, STANDARD -021 0.938 ID X 0.062 WIDTH	SEPARATOR STEM, UPPER
95021747	O-RING, STANDARD -115 0.688 ID X 0.094 WIDTH	SEPARATOR STEM, LOWER
95985859	O-RING, STANDARD -021 0.938 ID X 0.062 WIDTH	MPCV, END SEAL (Small)
95992293	O-RING, STANDARD -024 1.125 ID X 0.062 WIDTH	MPCV, MIDDLE SEAL (Large)
96957162	O-RING, STANDARD -116 0.750 ID X 0.094 WIDTH	VALVE, COOLANT DRAIN
96759360	O-RING, STANDARD 23.60 ID X 2.90 WIDTH	GLASS, SIGHT

CONSUMABLES	
CCN	DESCRIPTION
88171913	ELEMENT, AIR FILTER
89295976	ELEMENT, HIGH DUST AIR FILTER (HIGH DUST OPTION ONLY)
39329602	ELEMENT, COOLANT FILTER
24121212	ELEMENT, SEPARATOR
24241952	ELEMENT, GP DRYER FILTER (DRYER ONLY)
24241960	ELEMENT, HE DRYER FILTER (DRYER ONLY)
24286676	ELEMENT, PRE-FILTER
47512548	ELEMENT, PDM FILTER (VSD ONLY)

RECOMMENDED PARTS LIST

POWER TRANSMISSION TABLE					
MACHINE POWER	MACHINE CONFIGURATION	BELT CCN	MOTOR SHEAVE CCN	AIREND SHEAVE CCN	BUSHING CCN
5 HP	110PSIG 60HZ	47499581001	47508085001	47508074001	23635667
	125PSIG 60HZ	47499581001	47508085001	47517372001	23635667
	145PSIG 60HZ	24208597	47508085001	47517373001	23635667
7.5 HP	110PSIG 60HZ	47501874001	47501872001	47508072001	23635667
	125PSIG 60HZ	47499581001	24365769	47508073001	23635667
	145PSIG 60HZ	47499581001	24365769	47501860001	23635667
	200PSIG 60HZ	47499581001	47508085001	47508074001	23635667
10 HP	110PSIG 60HZ	24208597	24365793	47508075001	23635667
	125PSIG 60HZ	47499581001	24365785	47508076001	23635667
	145PSIG 60HZ	47499581001	24365785	47501861001	23635667
	200PSIG 60HZ	47499581001	24365769	47508077001	23635667
15 HP	110PSIG 60HZ	47501875001	22386734	47508081001	22386882
	125PSIG 60HZ	47501875001	22386734	47508082001	22386882
	145PSIG 60HZ	47501875001	22386734	47508083001	22386882
	200PSIG 60HZ	47499582001	22386734	47508084001	22386882
5.5 KW	7.5BARG 50HZ	47501874001	47508086	47508067	23635667
	8.5BARG 50HZ	47501874001	47508086	24365819	23635667
	10BARG 50HZ	47501874001	47501872	47508068	23635667
	14BARG 50HZ	47499581001	47508086	47508069	23635667
7.5 KW	7.5BARG 50HZ	24208597	47499579	47508070	23635667
	8.5BARG 50HZ	24208597	24365793	47508070	23635667
	10BARG 50HZ	24208597	24365793	47499573	23635667
	14BARG 50HZ	47499581001	24365785	47508071	23635667
11 KW	7.5BARG 50HZ	47499582001	22386759	47508078	22386882
	8.5BARG 50HZ	47499582001	22386759	24208522	22386882
	10BARG 50HZ	24208621	24215667	47501868	22386882
	14BARG 50HZ	24208621	47499580	47508080	22386882

RECOMMENDED PARTS LIST

COOLANT ANALYSIS

CCN	DESCRIPTION
38035531	COOLANT ANALYSIS

COOLANTS

Container Size	Ultra Coolant	Ultra EL	Ultra FG
1 L	92837095	24161119	-----
5 L	92692284	24061608	23973969
15 L	-----	24061624	-----
20 L	38459582	-----	23973977
208 L	39433743	24061640	23973985

VALVES

CCN	DESCRIPTION
22401590	VALVE, PRESSURE RELIEF 16 BAR (PED) 1/4" BSPT (Brazil and Europe Safety Valve and Receivers Options)
22378665	VALVE, PRESSURE SAFETY SET PRESSURE 232 PSIG (USA Safety Valve Option)
22052450	VALVE, PRESSURE SAFETY (USA Receiver Options)
23694938	VALVE, MINIMUM PRESSURE CHECK
47515589001	VALVE, SOLENOID DRAIN 1/4NPT, 110V1PH50/60Hz, CABLE 1.6M (EMEA Replacement Condensate Solenoid)
47515814001	VALVE, SOLENOID DRAIN 1/4NPT, 110V1PH60Hz, CABLE 1.6M (Americas Replacement Condensate Solenoid)
47498691001	VALVE, SOLENOID 3 WAY 24V 50/60HZ (Xe-50)
47502725001	VALVE, SOLENOID 3WAY 110V 50HZ (Xe-70 EMEA)
47517905001	VALVE, SOLENOID 3WAY 110V 60HZ (Xe-70 Americas)
24260903	VALVE, BLOWDOWN 1/4" BSPT N.O.
38459665	VALVE, DRYER CONDENSATE DRAIN (EMEA and Brazil Dryer Replacement Condensate Solenoid)
48660633	VALVE, DRYER CONDENSATE DRAIN (USA Dryer Replacement Condensate Solenoid)

DRYERS

CCN	DESCRIPTION
24646317	DRYER, INTEGRATED VELOCITY R5.5-11KW 50/60HZ D144 (EMEA and Brazil)
47518888001	DRYER, R4-11KW 60HZ (North America)

ELECTRICAL SCHEMATICS

CCN	DESCRIPTION
24437675	ELECTRICAL DIAGRAM R4-11kW DOL Xe-50M
24437683	ELECTRICAL DIAGRAM R4-11kW S/D Xe-70M
24153595	ELECTRICAL DIAGRAM R4-11kW S/D Xe-50M
24153603	ELECTRICAL DIAGRAM R4-11kW VSD Xe-70M

RECOMMENDED PARTS LIST**SENSORS/TRANSDUCER**

CCN	DESCRIPTION
23522246	SENSOR, TEMPERATURE THERMISTOR (Xe-70)
24255838	SENSOR, TEMPERATURE (Xe-50)
22359632	TRANSDUCER, PRESSURE 16 BAR 4-20 MA

EMERGENCY STOP SWITCHES

CCN	DESCRIPTION
23990716	SWITCH, EMERGENCY EMERGENCY (Xe-50)
47499689001	SWITCH, EMERGENCY STOP (Xe-70)

FUSES, CONTACTS, CONTACTORS, TERMINALS, OVERLOADS, RELAYS

PLEASE REFER TO THE APPROPRIATE BACKPANEL ASSEMBLY FOR SPARE PARTS CONSIDERATION

VSD DRIVE PARTS

CCN	DESCRIPTION	FOR DRIVE CCN
24512345	CONTROL BOARD WITH DRIVE PARAMETERS	47499690001 47501524001 24198996 47503742001 47503741001 47503743001 47503744001 47504396001 47504398001 47504435001 47512534001 47512537001 47512540001 47515667001
24753139	FAN ASSEMBLY FOR A3 FRAME 4-7.5KW (5-10HP) 380-480 AND 575VAC DRIVES. (1) NEEDED PER DRIVE.	47499690001 47501524001 47503744001 47504435001 47515667001
24753121	FAN ASSEMBLY FOR B3 FRAME 4-7.5KW (5-10HP) 230VAC AND 11KW (15HP) 380-480 AND 575VAC DRIVES. (1) NEEDED PER DRIVE.	24198996 47503742001 47503741001 47503743001 47504398001 47512534001 47512537001
24753162	FAN ASSEMBLY FOR B4 FRAME 11KW (15HP) 230VAC DRIVES. (1) NEEDED PER DRIVE.	47504396001 47512540001
24753238	SOFT CHARGE CARD, P11KT2, 230 VAC B4 FRAME.	47504396001 47512540001

RECOMMENDED PARTS LIST

MAINTENANCE KITS

CCN	DESCRIPTION
47518591001	KIT, START-UP R4-11kW ULTRA COOLANT
47527925001	KIT, START-UP R4-11kW FOOD GRADE
47527926001	KIT, START-UP R4-11kW ULTRA EL
47518595001	KIT, MAINTENANCE R4-11kW NO COOLANT 2000/6000 HR STANDARD AIR FILTER
47518596001	KIT, MAINTENANCE R4-11kW NO COOLANT 2000/6000 HR HIGH DUST AIR FILTER
47518611001	KIT, MAINTENANCE R4-11kW NO COOLANT 4000/8000 HR NO DRYER STANDARD AIR FILTER, FS
47518603001	KIT, MAINTENANCE R4-11kW NO COOLANT 4000/8000 HR NO DRYER STANDARD AIR FILTER, VSD
47518612001	KIT, MAINTENANCE R4-11kW NO COOLANT 4000/8000 HR NO DRYER HIGH DUST AIR FILTER, FS
47518604001	KIT, MAINTENANCE R4-11kW NO COOLANT 4000/8000 HR NO DRYER HIGH DUST AIR FILTER, VSD
47518613001	KIT, MAINTENANCE R4-11kW NO COOLANT 4000/8000 HR DRYER STANDARD AIR FILTER, FS
47518607001	KIT, MAINTENANCE R4-11kW NO COOLANT 4000/8000 HR DRYER STANDARD AIR FILTER, VSD
47518614001	KIT, MAINTENANCE R4-11kW NO COOLANT 4000/8000 HR DRYER HIGH DUST AIR FILTER, FS
47518608001	KIT, MAINTENANCE R4-11kW NO COOLANT 4000/8000 HR DRYER HIGH DUST AIR FILTER, VSD

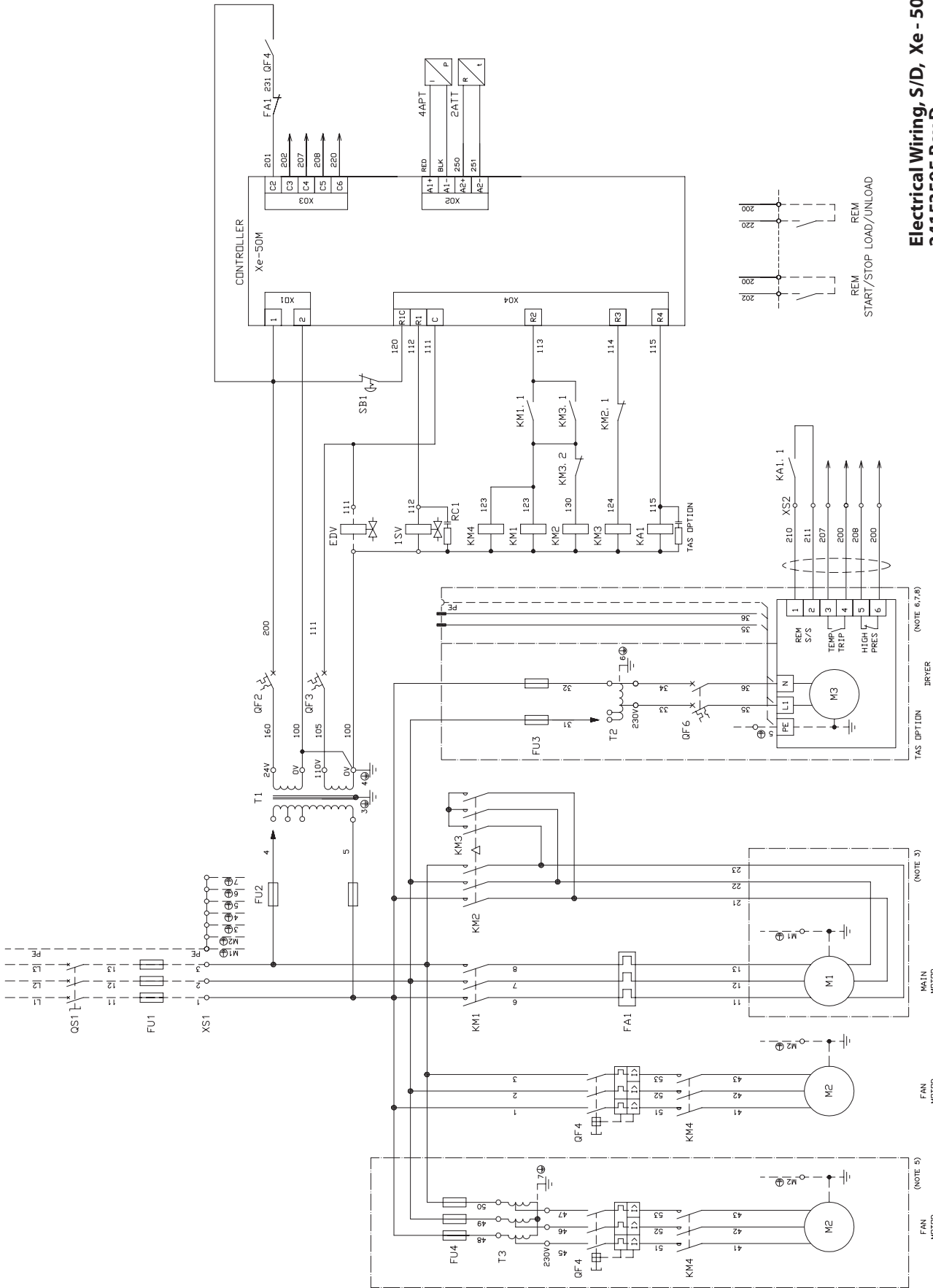
SERVICE KITS

CCN	DESCRIPTION
48975379	KIT, SERVICE SHAFT SEAL
47518597001	KIT, SERVICE NO RECEIVER OR NOT GALLON RECEIVER HOSE
47518624001	KIT, SERVICE 80 GALLON RECEIVER, NO DRYER HOSE
47522710001	KIT, SERVICE 80 GALLON RECEIVER, DRYER HOSE
47522711001	KIT, SERVICE 120 GALLON RECEIVER, NO DRYER HOSE
47522712001	KIT, SERVICE 120 GALLON RECEIVER, DRYER HOSE
47518601001	KIT, SERVICE INLET VALVE
47518605001	KIT, SERVICE THERMAL VALVE
47518625001	KIT, SERVICE CAPACITOR KIT

RECOMMENDED PARTS LIST

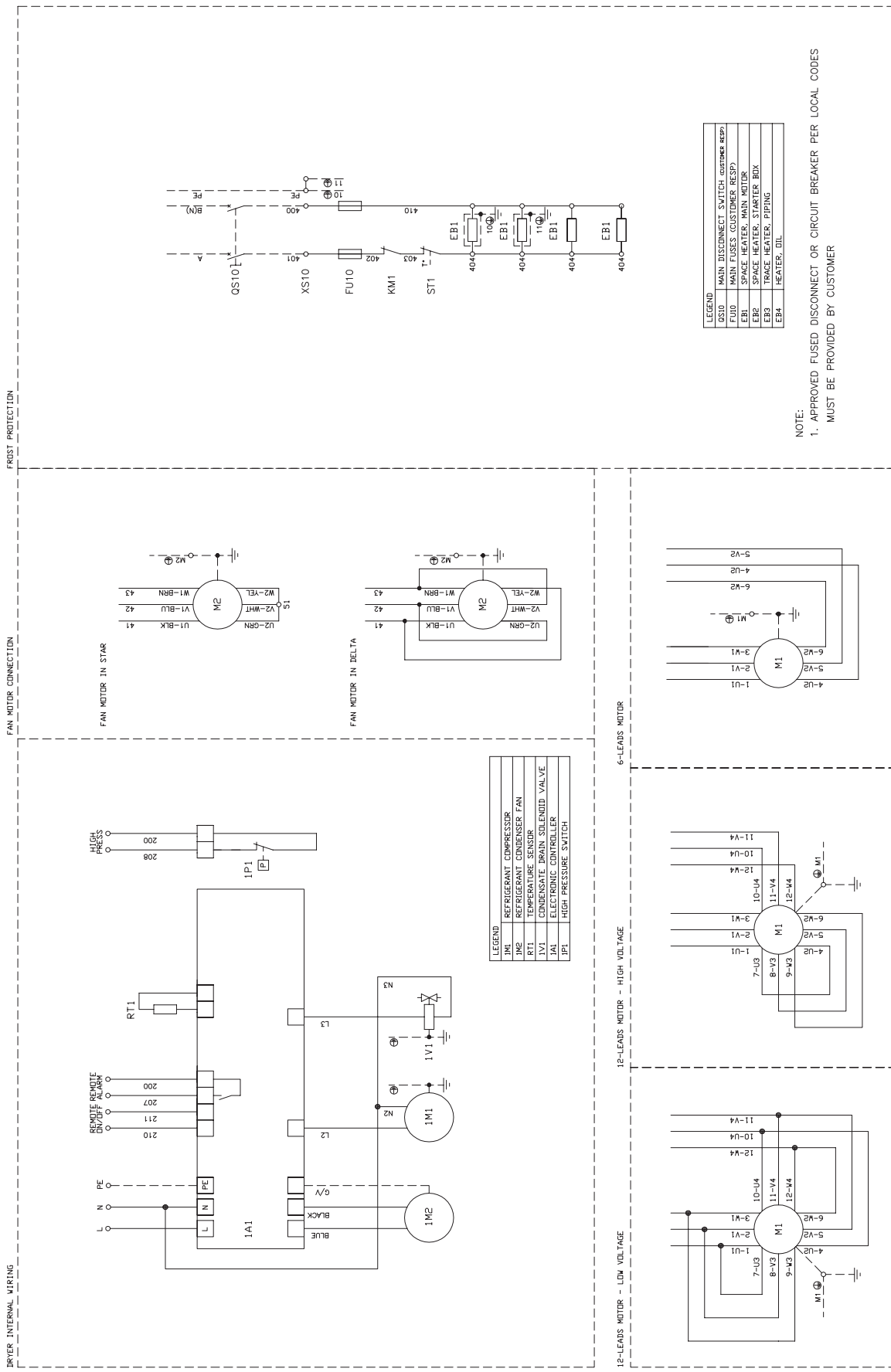
FIELD KITS	
CCN	DESCRIPTION
47518606001	KIT, FIELD PORO
47518610001	KIT, FIELD HIGH DUST INLET FILTER
47518635001	KIT, FIELD OUTDOOR MOD
47518599001	KIT, FIELD DRYER INSTALLATION NO RECEIVER 50HZ 230V
47518600001	KIT, FIELD DRYER INSTALLATION NO RECEIVER 50HZ 400V
47518615001	KIT, FIELD DRYER INSTALLATION NO RECEIVER 60HZ TRI-VOLTAGE FS
47522103001	KIT, FIELD DRYER INSTALLATION NO RECEIVER 60HZ 208V VSD
47518638001	KIT, FIELD DRYER INSTALLATION NO RECEIVER 60HZ 220V
47522104001	KIT, FIELD DRYER INSTALLATION NO RECEIVER 60HZ 230V VSD
47518616001	KIT, FIELD DRYER INSTALLATION NO RECEIVER 60HZ 380V
47518626001	KIT, FIELD DRYER INSTALLATION NO RECEIVER 60HZ 440V
47522105001	KIT, FIELD DRYER INSTALLATION NO RECEIVER 60HZ 460V VSD
47518592001	KIT, FIELD DRYER INSTALLATION NO RECEIVER 60HZ 575V
47522106001	KIT, FIELD DRYER INSTALLATION 80G RECEIVER 60HZ TRI-VOLTAGE FS
47522107001	KIT, FIELD DRYER INSTALLATION 80G RECEIVER 60HZ 208V VSD
47522108001	KIT, FIELD DRYER INSTALLATION 80G RECEIVER 60HZ 230V VSD
47522109001	KIT, FIELD DRYER INSTALLATION 80G RECEIVER 60HZ 460V VSD
47522110001	KIT, FIELD DRYER INSTALLATION 80G RECEIVER 60HZ 575V
47522111001	KIT, FIELD DRYER INSTALLATION 120G RECEIVER 60HZ TRI-VOLTAGE FS
47522112001	KIT, FIELD DRYER INSTALLATION 120G RECEIVER 60HZ 208V VSD
47522113001	KIT, FIELD DRYER INSTALLATION 120G RECEIVER 60HZ 230V VSD
47522114001	KIT, FIELD DRYER INSTALLATION 120G RECEIVER 60HZ 460V VSD
47522115001	KIT, FIELD DRYER INSTALLATION 120G RECEIVER 60HZ 575V
47522116001	KIT, FIELD DRYER INSTALLATION 200L RECEIVER 60HZ 220V
47522117001	KIT, FIELD DRYER INSTALLATION 200L RECEIVER 60HZ 380V
47522118001	KIT, FIELD DRYER INSTALLATION 200L RECEIVER 60HZ 440V
47522119001	KIT, FIELD DRYER INSTALLATION 272L RECEIVER 50HZ 230V
47522120001	KIT, FIELD DRYER INSTALLATION 272L RECEIVER 50HZ 400V
47522121001	KIT, FIELD DRYER INSTALLATION 500L RECEIVER 50HZ 230V
47522122001	KIT, FIELD DRYER INSTALLATION 500L RECEIVER 50HZ 400V

ELECTRICAL WIRING, S/D, XE - 50M



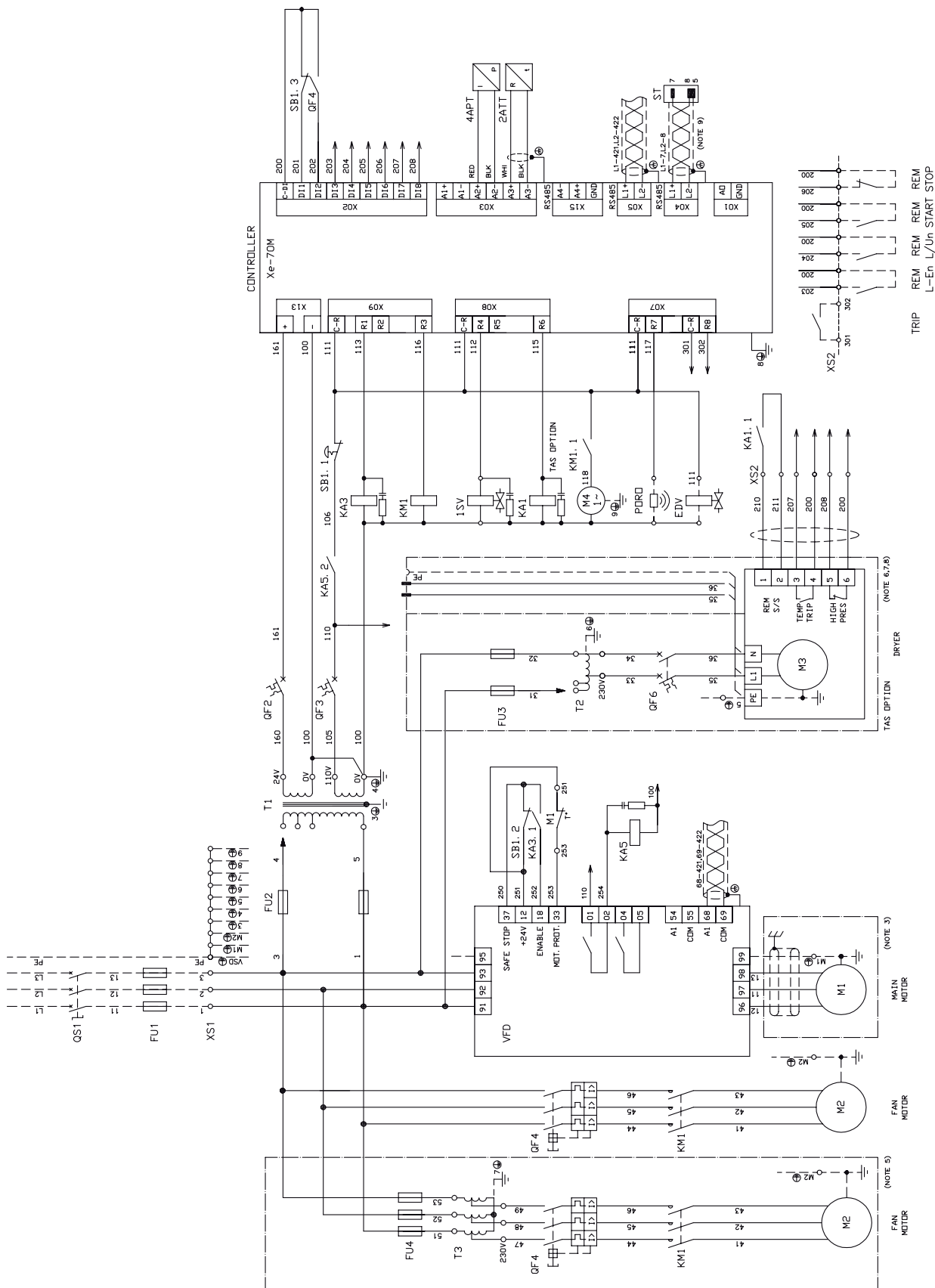
Electrical Wiring, S/D, Xe - 50M
24153595 Rev.D

ELECTRICAL WIRING, S/D, XE - 50M



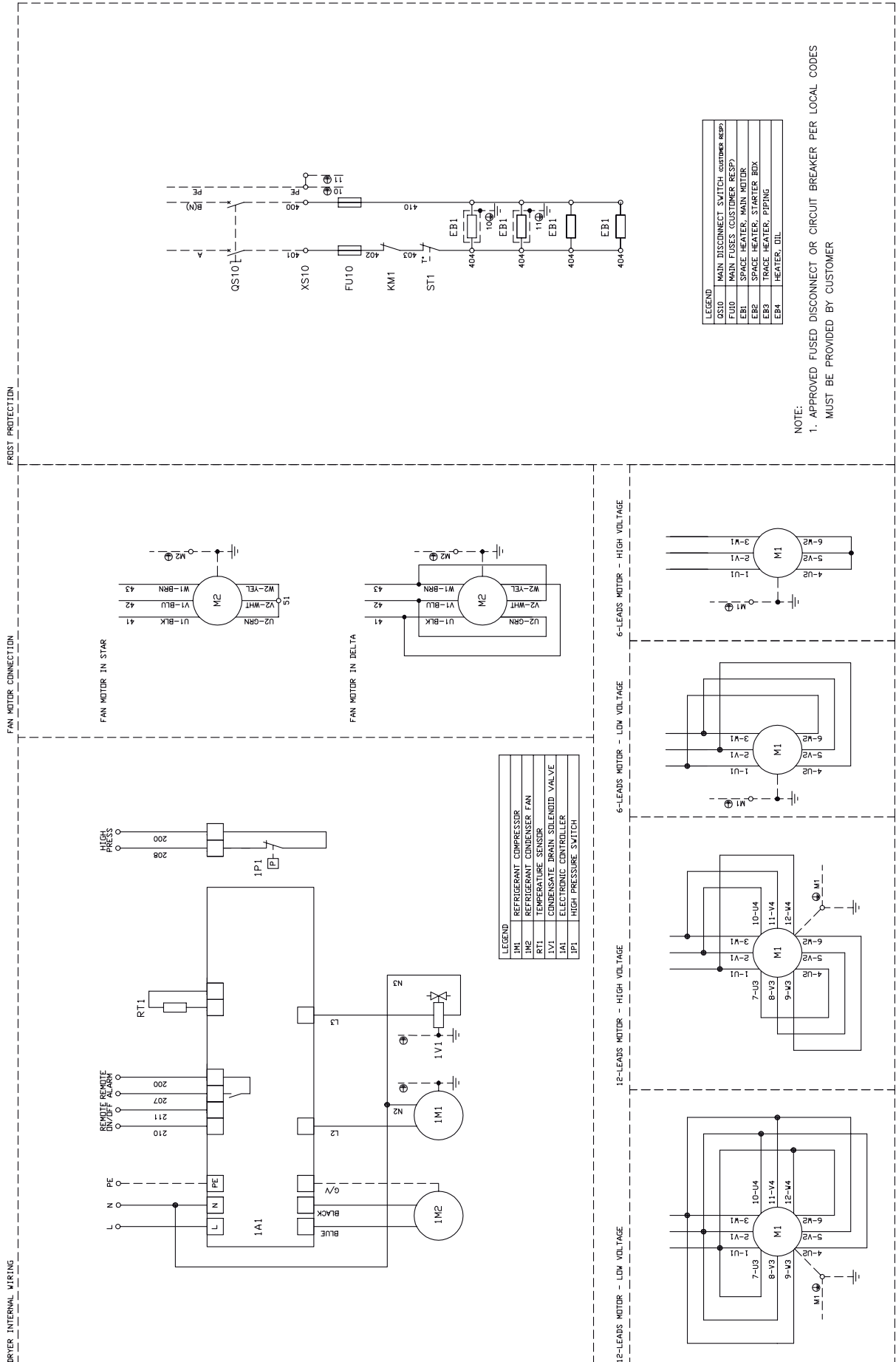
Electrical Wiring, S/D, Xe - 50M
24153595 Rev.D

ELECTRICAL WIRING, VSD, XE - 70M



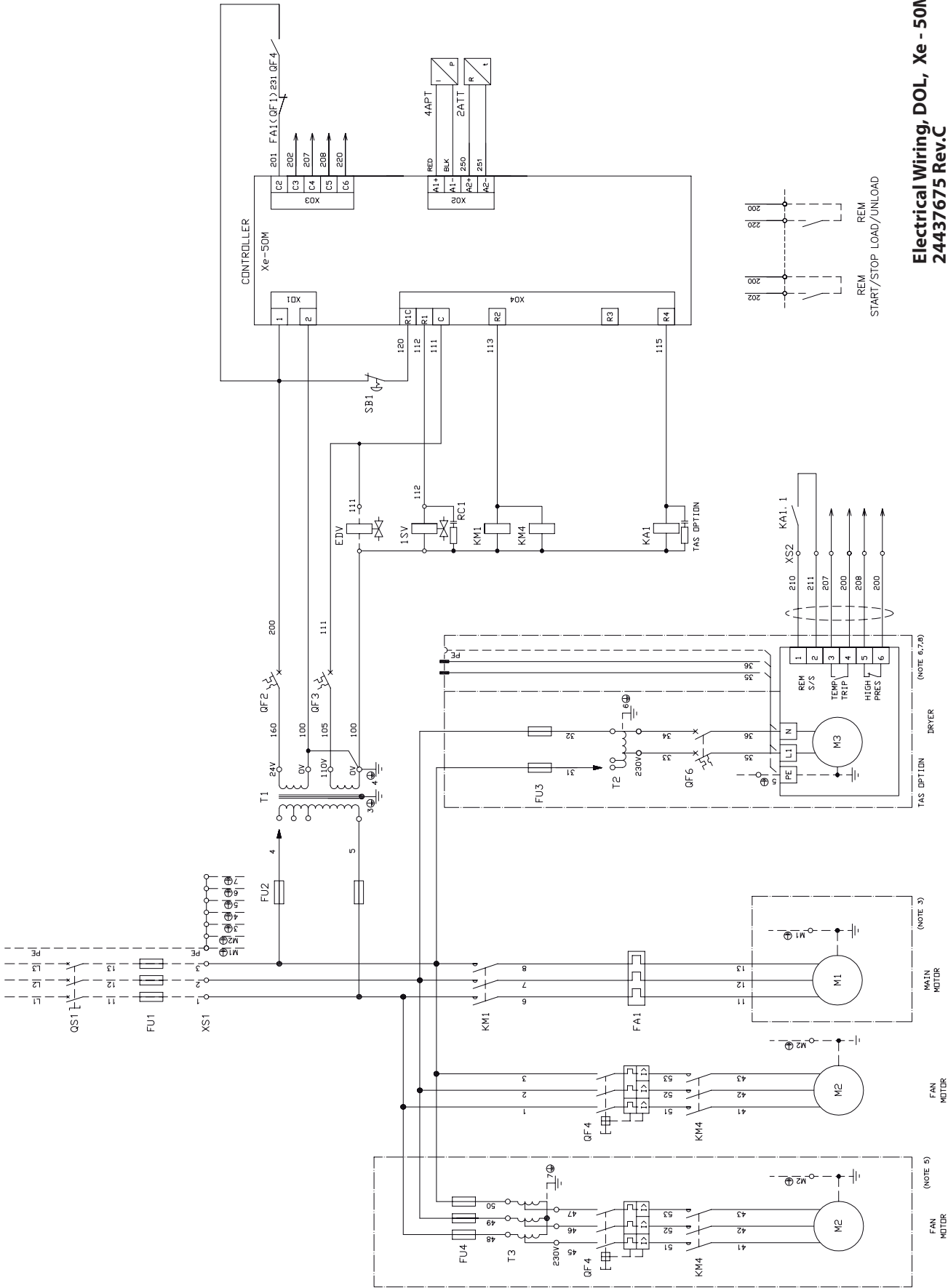
Electrical Wiring, VSD, Xe - 70M
24153603 Rev.E

ELECTRICAL WIRING, VSD, Xe - 70M



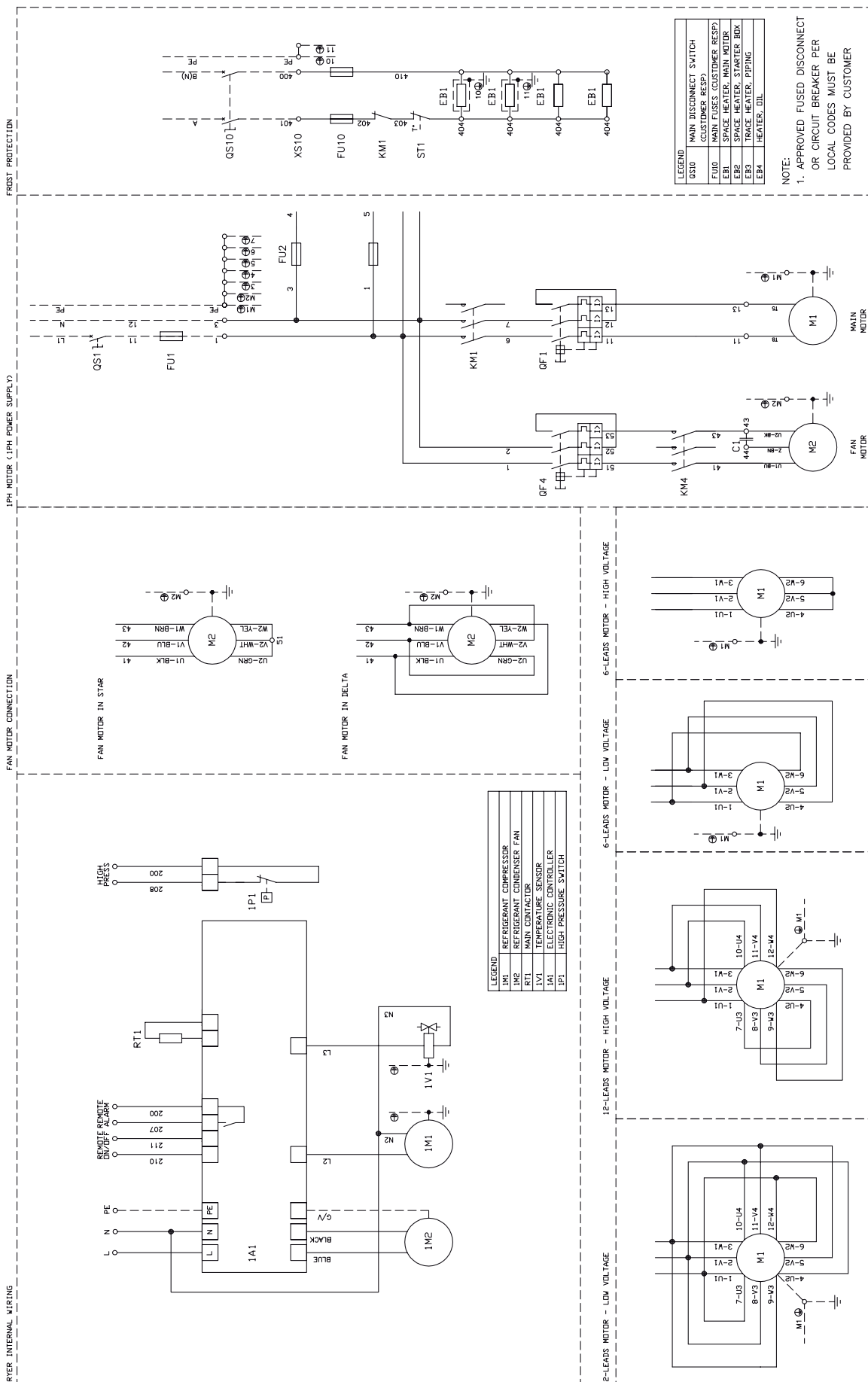
Electrical Wiring, VSD, Xe - 70M
24153603 Rev.E

ELECTRICAL WIRING, DOL, XE - 50M



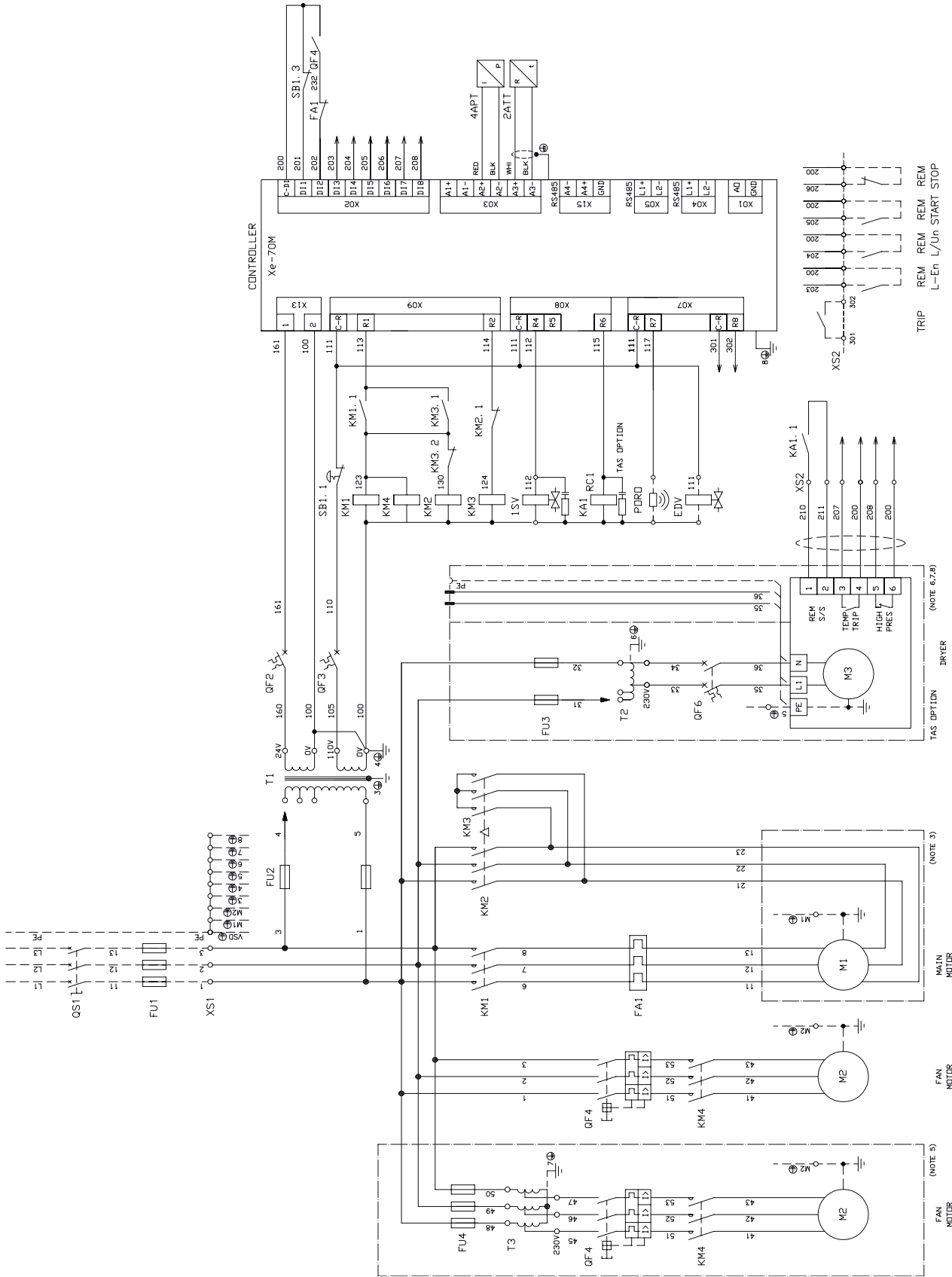
Electrical Wiring, DOL, Xe - 50M
24437675 Rev.C

ELECTRICAL WIRING, DOL, Xe - 50M



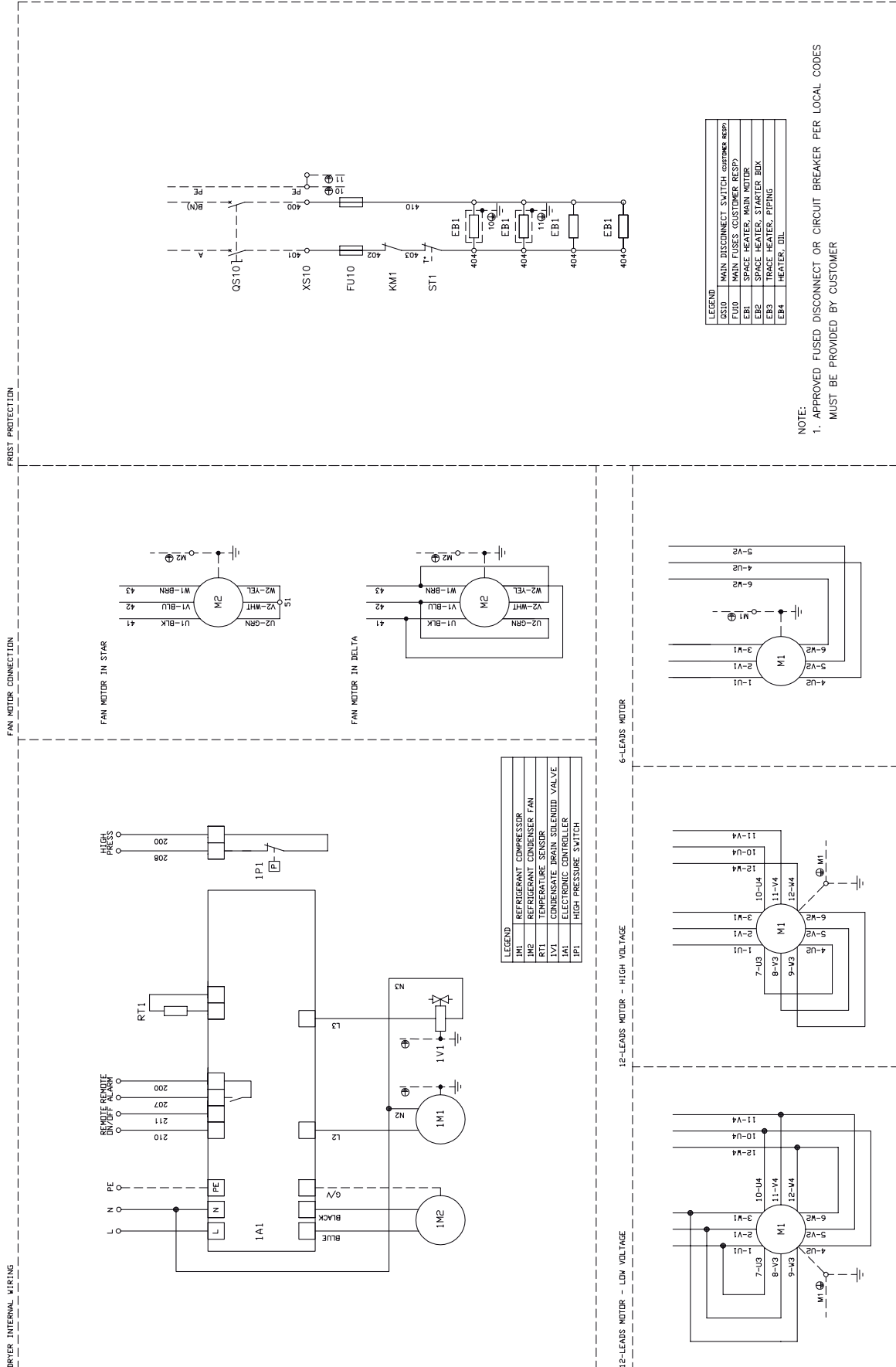
Electrical Wiring, DOL, Xe - 50M
24437675 Rev.C

ELECTRICAL WIRING, S/D, XE - 70M



Electrical Wiring, S/D, Xe - 70M
24437683 Rev.C

ELECTRICAL WIRING, S/D, XE - 70M



NOTE:
1. APPROVED FUSED DISCONNECT OR CIRCUIT BREAKER PER LOCAL CODES MUST BE PROVIDED BY CUSTOMER

Electrical Wiring, S/D, Xe - 70M
24437683 Rev.C

